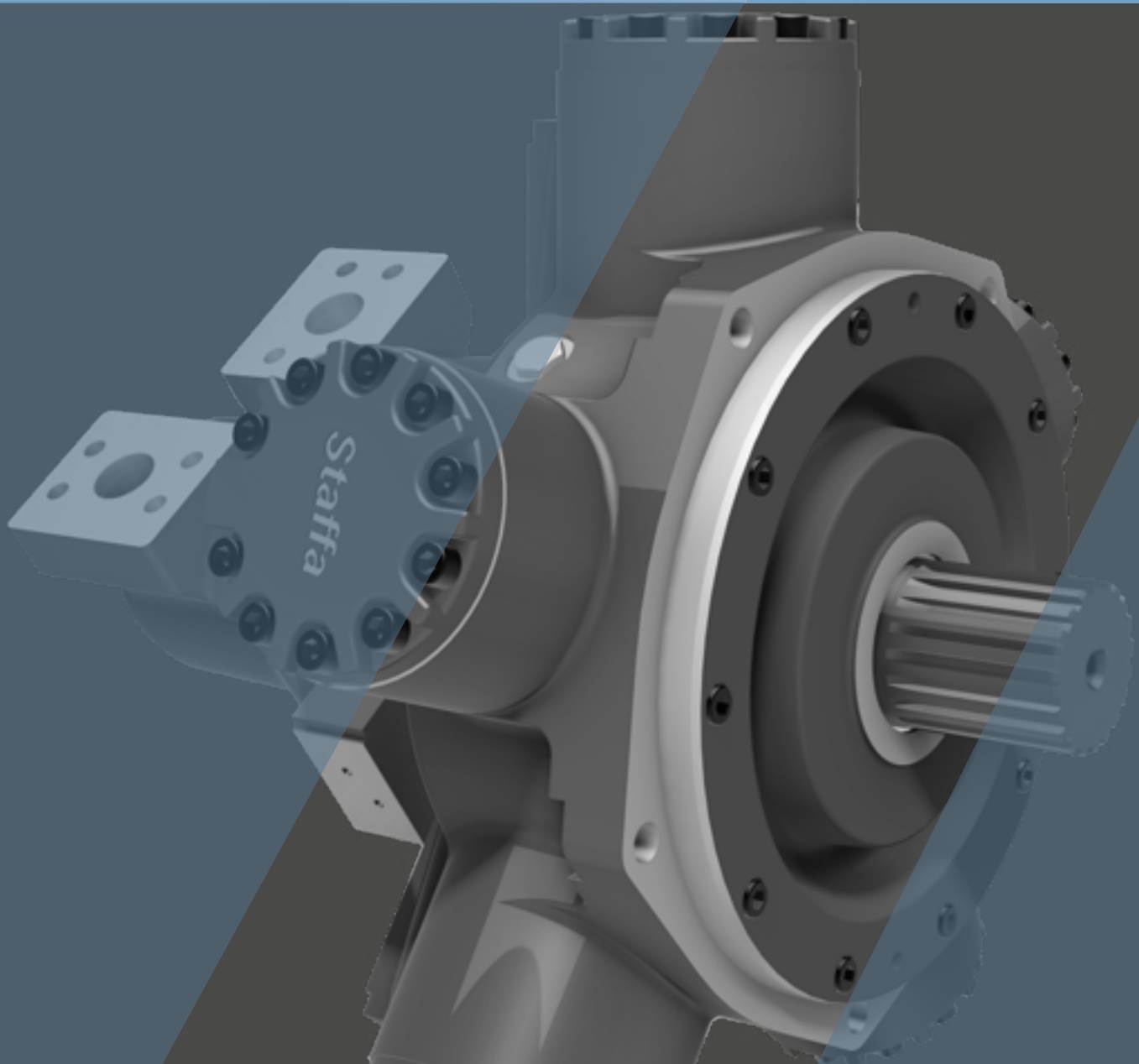
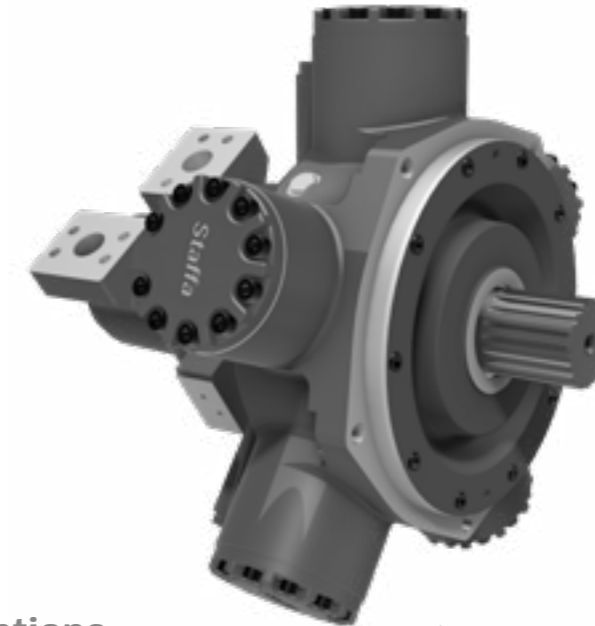


Dual Displacement Radial Piston
Staffa Motor

HMC Series



Dual Displacement Radial Piston Hydraulic Motor



Specifications and Features	3
1. Ordering Code	
1-1. Model Coding	4 - 5
1-2. Shaft Options	6
1-3. Main Port Connection Options	7
1-4. Special Features	8 - 20
2. Technical Information	
2-1. Performance Data	21 - 28
2-2. Volumetric Efficiency Data	29
2-3. Shaft Power Calculations	30
2-4. Functional Symbols	31
2-5. Shaft Stress Limits	32
2-6. Bearing Life Notes	33
2-7. Circuit and Application Notes	34 - 36
2-8. Motor Operation at Low Temperatures	37
2-9. Crankcase Drain Connections	38
2-10. Freewheeling Notes	39
2-11. Constant Pressure Regulator (CP)	40
2-12. Installation Data	41
3. Dimensions	
3-1. HMC030 Installation	42 - 45
3-2. HMC045 Installation	46 - 49
3-3. HMC080 Installation	50 - 56
3-4. HMC125 Installation	57 - 63
3-5. HMC200 Installation	64 - 70
3-6. HMC270 Installation	71 - 75
3-7. HMC325 Installation	76 - 80
3-8. Speed Sensing Options	81

■ General Descriptions

The range of dual displacement motors extends from the HMC030 in 492 cc/rev to the HMC325 in 5,326 cc/rev.

There are seven frame sizes as shown in the table below:

Motor Type	Max. Torque @275 bar (Nm)	Continuous shaft power (kW)
HMC030	1,655**	60
HMC045	2,930	99
HMC080	6,560	138
HMC125	8,220	135
HMC200	12,820	174
HMC270	19,090	189
HMC325	22,110	189

** torque calculated at 241 bar

Kawasaki "Staffa" high torque, low speed radial piston motors use hydrostatic balancing techniques to achieve high efficiency, combined with good breakout torque and smooth running capability.

The HMC series dual displacement models have two pre-set displacements which can be chosen from a wide range to suit specific application requirements. The displacements are hydraulically selected by a directional control valve which can be remote mounted or directly

on the motor. Motor displacement can be changed with ease when the motor is running.

These motors are also available in a continuously variable version using either hydro-mechanical or electro-hydraulic control methods.

Other mounting options are available on request to match many of the competitor interfaces.

■ Features

High torque at low speed

Smooth running

Wide range of displacements to suit specific applications

Displacement changes with ease when the motor is running

Electro-hydraulic or hydro-mechanical control methods available

Speed sensing options

1 Ordering Code

1-1 Model Coding

F11/HMC270 / S3 V/250/100/FM4/CS/Tj/ * / P*****

Fluid Type

Blank	Mineral oil
F3	Phosphate ester (HFD fluid)
F11	Water based fluids (HFA, HFB & HFC)
Alternative fluids contact Kawasaki	

Motor Frame Size

030	125	270
045	200	325
080		

Shaft Type

See shaft type option list on Page 6

Shaft Orientation

Blank	Standard Orientation
V	Vertically Up

High Displacement Code

See displacement code details on pages 21 to 28

Low Displacement Code

See displacement code details on pages 21 to 28

Special Features

P*****	See options on page 5.
PL***	Non-catalogued features, (****) = number assigned by Kawasaki as required

Design Series Number

Current series for HMC motors

Tacho Encoder Drive

Blank	None
Tj	Square wave output with directional signal
Tk	Combines Tj with the T401 instrument to give a 4 to 20 mA output proportional to speed. Directional signal and speed relay output.

Displacement Control Ports

Threaded ports/ bi directional shaft rotation	
X	X and Y ports G $\frac{1}{4}$ " (BSPF to ISO 228/1)
ISO 4401 size 03 mounting face / bi-directional shaft rotation	
C	No shuttle
CS	With shuttle
ISO4401 size 03 mount with Additional Regulation	
CP18	Constant Pressure Regulator set to 180 bar
CHP18	Constant Pressure Regulator set to 180 bar with override valve attached
See pages 25 for further details Please state CP valve setting when placing order and note that maximum setting is 220 bar (ie CP22)	

Main Port Connections

See Port Connection details on page 7

1-1 Model Coding

Special Features Suffix

/ P * * * * *

Shaft Seal Enhancements

A	High pressure shaft seal
B	Improved shaft seal life
C	High pressure shaft seal & improved shaft seal life
O	None

External Protection

A	Anti-pooling bolt heads
B	Marine-specification primer paint
C	Anti-pooling bolt heads & Marine-specification primer paint
O	None

Installation Features

A	Drain port adaptor x 1
B	Drain port adaptor x 2
C	Φ21 mm mounting holes
D	Φ22 mm mounting holes
E	Φ21 mm mounting holes & Drain port adaptor x 1
F	Φ21 mm mounting holes & Drain port adaptor x 2
G	Φ22 mm mounting holes & Drain port adaptor x 1
H	Φ22 mm mounting holes & Drain port adaptor x 2
O	None

Valve Enhancements

A	Improved cavitation resistance
B	Anti-clockwise
C	Thermal shock resistance
D	Improved cavitation resistance & anti-clockwise
E	Improved cavitation resistance & thermal shock resistance
F	Anti-clockwise & thermal shock resistance
G	Improved cavitation resistance & anti-clockwise & thermal shock resistance
O	None

Performance Enhancements

A	Increased starting torque
O	None

1-2 Shaft Options

◆ Product type

HMC030

P	=	Parallel keyed 55mm diameter shaft
S	=	Splined shaft 17 teeth BS3550
Z	=	Splined shaft DIN5480 (W55x3x17x7h)
Z2	=	Splined shaft DIN5480 (W60x3x18x7h)

HMC045

P	=	Parallel keyed 55mm diameter shaft
S	=	Splined shaft 17 teeth BS3550
Z	=	Splined shaft DIN5480 (W55x3x17x7h)
Z2	=	Splined shaft DIN5480 (W60x3x18x7h)

HMC080

P	=	Parallel keyed 60mm diameter shaft
S	=	Splined shaft 14 teeth BS3550
Z	=	Splined shaft DIN5480 (W70x3x22x7h)
T	=	Long taper keyed shaft - 95.2 key slot

HMC125 & HMC200

P1	=	Parallel keyed 85mm diameter shaft
S3	=	Splined shaft 20 teeth BS3550
S4	=	Splined shaft 16 teeth BS3550
Z3	=	Splined shaft DIN5480 (W85x3x27x7h)
T	=	Long taper keyed shaft - 133.4 key slot

HMC270 & HMC325

P1	=	Parallel keyed 85mm diameter shaft
S3	=	Splined shaft 20 teeth BS3550
Z4	=	Splined shaft DIN5480 (W90x4x21x7h)
T	=	Long taper keyed shaft - 133.4 key slot

Note:
For installations where the shaft is vertically upwards specify "V" after the shaft type designator so as to ensure that an additional high level drain port is provided within the front cover of the motor.

1-3 Main Port Connections

◆ Product type

HMC030

= As per HMC045

HMC045

SM3	=	1¼" symmetrical ports with through-holes for manifold connection
F3	=	1¼" SAE 4-bolt flange
FM3	=	1¼" SAE 4-bolt flange

HMC080

SM3	=	1¼" symmetrical ports with through-holes for manifold connection
F3	=	1¼" SAE 4-bolt flange
FM3	=	1¼" SAE 4-bolt flange
F4	=	SAE 1½" 4-bolt UNC flanges
FM4	=	SAE 4-bolt metric flanges

HMC125

SM3	=	1¼" symmetrical ports with through-holes for manifold connection
F3	=	1¼" SAE 4-bolt flange
FM3	=	1¼" SAE 4-bolt flange
F4	=	SAE 1½" 4-bolt UNC flanges
FM4	=	SAE 4-bolt metric flanges

HMC200

SM3	=	1¼" symmetrical ports with through-holes for manifold connection
F3	=	1¼" SAE 4-bolt flange
FM3	=	1¼" SAE 4-bolt flange
F4	=	SAE 1½" 4-bolt UNC flanges
FM4	=	SAE 4-bolt metric flanges

HMC270

F4	=	1½" SAE code 62 4-bolt flange
FM4	=	1½" SAE code 62 4-bolt flange

HMC325

F4	=	1½" SAE code 62 4-bolt flange
FM4	=	1½" SAE code 62 4-bolt flange

See pages 42 to 80 for full dimensional details

1-4 Special Features

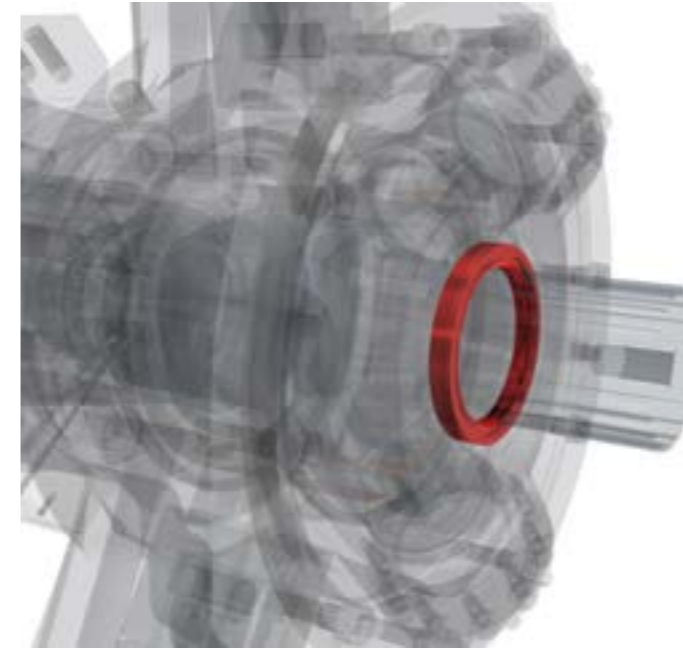
Feature	Page	HMC030	HMC045	HMC080	HMC125	HMC200	HMC270	HMC325
High Pressure Shaft Seal	9	●	●	●	●	●	●	●
Improved Shaft Seal Life	10	●	●	●	●	●	●	●
Improved Cavitation Resistance	11	●	●	●	●	●	●	●
Anti-pooling Bolt Heads	12	●	●	●	●	●	●	●
Increased Starting Torque	13	●	●	●	●	●	●	●
Anti-clockwise Rotation	15	●	●	●	●	●	●	●
Thermal Shock Resistance	16	●	●	●	●	●	●	●
Drain Port Adaptor - ½" BSPP	18	●	●	●	●	●	●	●
Φ21mm Mounting Holes	19	○	○	●	●	●	●	●
Φ22mm Mounting Holes	19	○	○	●	●	●	●	●
Marine-specification Primer Paint	20	●	●	●	●	●	●	●

- Available
- Not available

If a motor is to be ordered with any special features listed, please contact Kawasaki.

1-4 Special Features

◆ High Pressure Shaft Seal



Description:

- > 10 bar rated
- > Recommended for cold climates
- > Rugged steel and PTFE construction

Technical Information

Where crankcase pressure will be higher than 3.5 bar, the high pressure shaft seal should be selected.

Case pressure	≤ 10 bar
Non-operating temperature limits	Below -30°C and above 120°C
Minimum operating temperature	-15°C
Maximum operating temperature	80°C
Minimum viscosity	2,000 cSt
Maximum viscosity	150 cSt

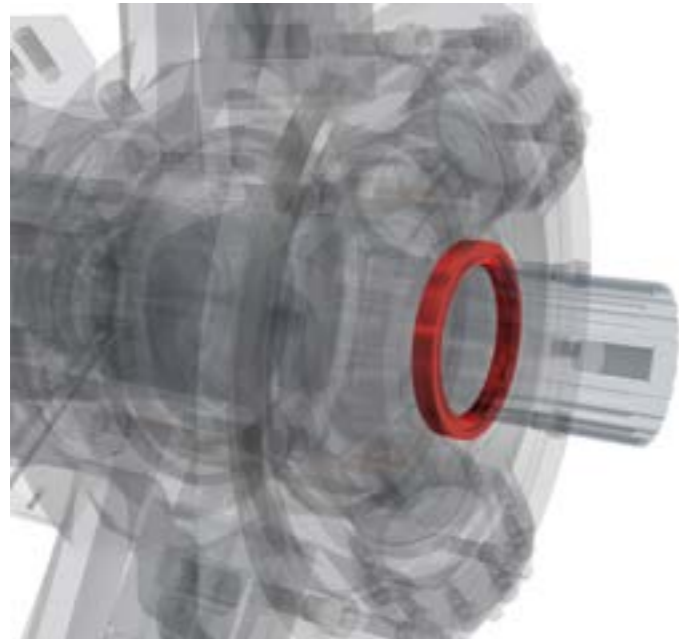
Applicable to:

HMC030	HMC045	HMC080	HMC125	HMC200	HMC270	HMC325
●	●	●	●	●	●	●

Please contact Kawasaki to order this feature.

1-4 Special Features

◆ Improved Shaft Seal Life



Description:

- > Stainless steel sleeve prevents corrosion
- > Improved wear resistance
- > Recommended for corrosive environments

Technical Information

A well-established method of increasing rotary seal life in corrosive environments is to fit a thin-walled, stainless steel sleeve to the rotating shaft to provide a corrosion-resistant, wear-resistant counterface surface for the seal to run against. All HMC motors can be fitted with such sleeves upon request.

Sleeve material	A304/301 Stainless Steel
Sleeve surface finish	R _a 0.25 to 0.5 μm (10 to 20 μin)

Applicable to:

HMC030	HMC045	HMC080	HMC125	HMC200	HMC270	HMC325
●	●	●	●	●	●	●

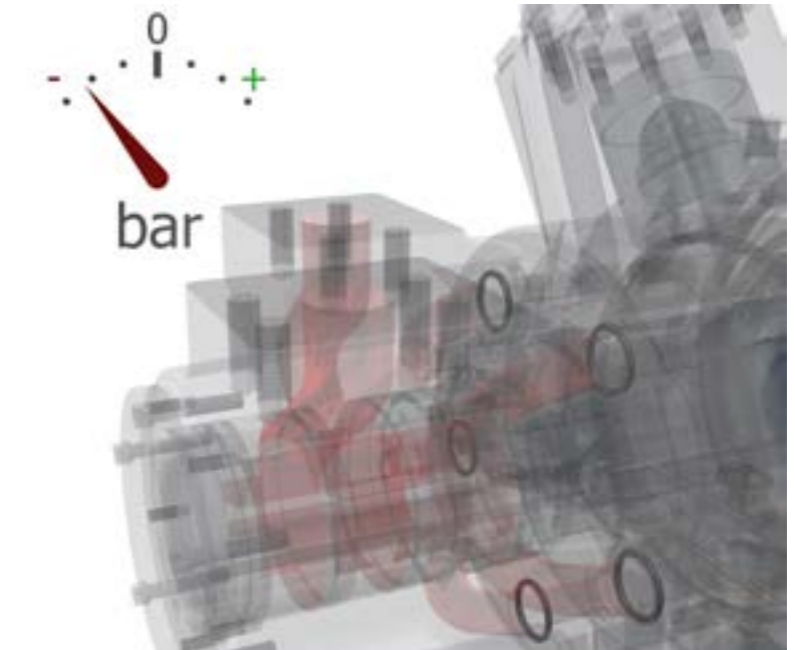
Please contact Kawasaki to order this feature.

1-4 Special Features

◆ Improved Cavitation Resistance

Description:

- > Recommended for overrunning applications
- > Protects against seal damage for short periods of operation in vacuum inlet conditions.



Cavitation can occur due to many different factors. Although it is not possible to make the HMC motor resistant to cavitation, certain features can be added to improve the motor's resistance to short periods of lost port pressure.

In applications where the HMC motor can be driven (like a pump) a risk arises that insufficient fluid will be provided to maintain a positive pressure at both main ports of the motor causing cavitation. The results of extended running at these conditions can be catastrophic to the motor's function.

The improved cavitation resistance feature should be considered where:

- Overrunning conditions may occur (load driving the motor)
- Loss of main port pressure while motor is rotating

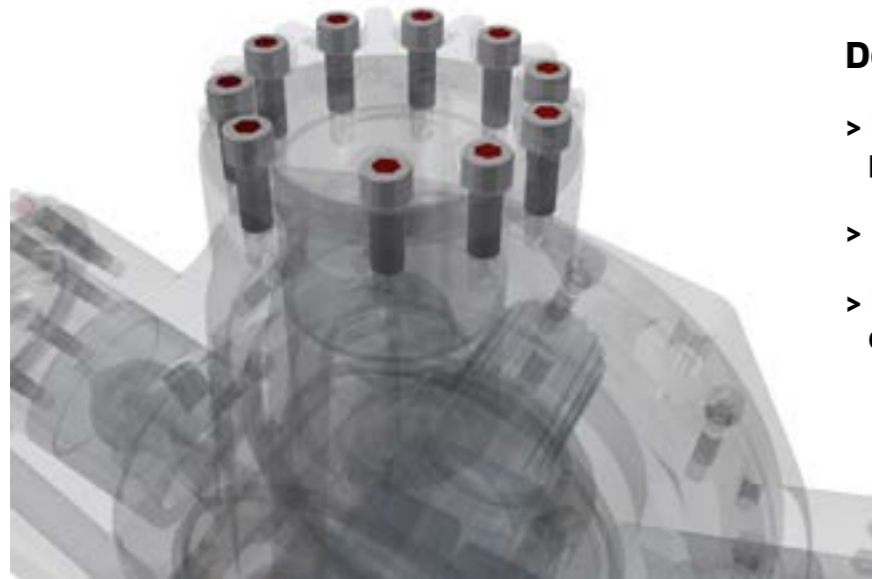
Applicable to:

HMC030	HMC045	HMC080	HMC125	HMC200	HMC270	HMC325
●	●	●	●	●	●	●

Please contact Kawasaki to order this feature.

1-4 Special Features

◆ Anti-pooling Bolt Heads



Description:

- > Removes potential for water pooling
- > Improved corrosion resistance
- > Recommended for marine environments

Technical Information

In many marine applications, water pooling in socket head cap screw heads presents a significant corrosion risk. Corroded cap screws can make service and repair of affected units impossible.

To significantly reduce the risk of water damage through pooling, HMC motors can be supplied with silicone filler in all the bolt heads.

Applicable to:

HMC030	HMC045	HMC080	HMC125	HMC200	HMC270	HMC325
●	●	●	●	●	●	●

Please contact Kawasaki to order this feature.

1-4 Special Features

◆ Increased Starting Torque



Description:

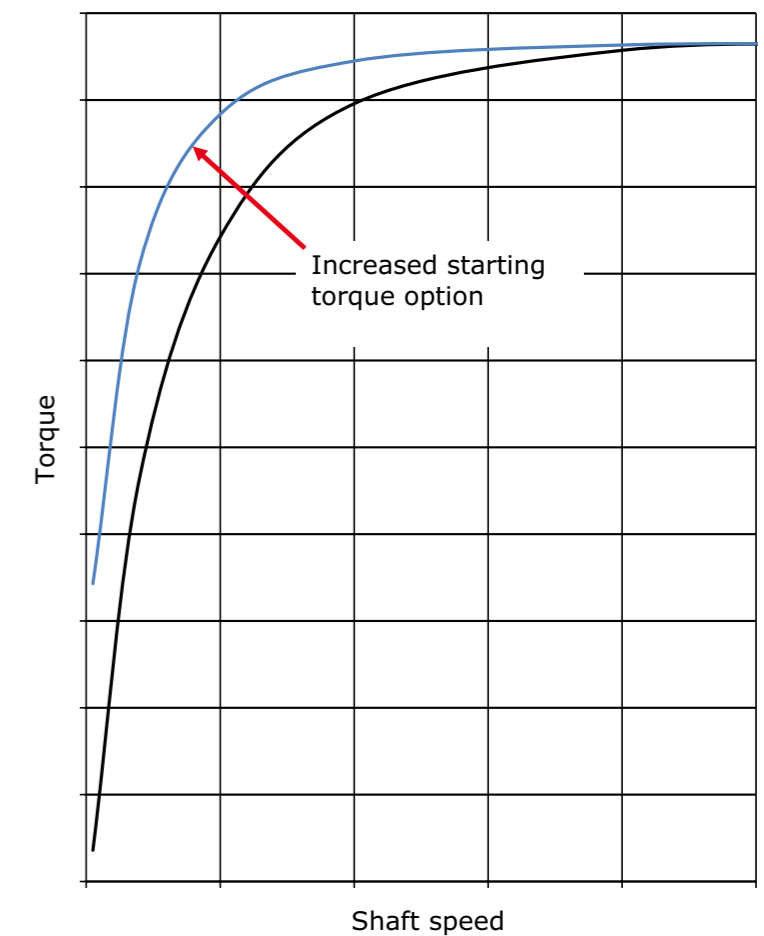
- > Optimised for high break-out torque
- > Recommended for low speed operation
- > Improved service life for low speed applications

Technical Information

If an application demands the drive motor be run at speeds of less than 10 rpm for most of the duty cycle, or involves frequent start/stop or forward/reverse operation, the Staffa HMC motor range has it covered.

By optimising the HMC motor's design for low speeds, it is possible to increase the break out torque and low speed mechanical efficiency performance.

All figures given in Section 2-1 Performance Data are still valid when selecting this feature.



1-4 Special Features

◆ Increased Starting Torque (cont)

Volumetric Performance

In order to achieve increased torque at low speeds the volumetric characteristics of the motor performance are changed.

When calculating leakage and volumetric efficiency use the constants shown here in place of those given for the standard motor on page 29.

Motor Type	Geometric Displacement	Zero Speed Constant	Speed Constant	Creep Speed Constant	Crankcase Leakage Constant
	cc/rev	K1	K2	K3	K4
HMC030	492	11.66	*	17.42	10.26
HMC045	737	13.36	47.80	12.26	10.76
HMC080	1,639	16.26	45.70	9.65	14.66
HMC125	2,048	12.86	38.50	4.55	11.01
HMC200	3,087	12.86	38.50	3.02	11.01
HMC270	4,588	13.26	37.30	2.41	12.76
HMC325	5,326	13.26	40.00	2.08	12.76

Applicable to:

HMC030	HMC045	HMC080	HMC125	HMC200	HMC270	HMC325
●	●	●	●	●	●	●

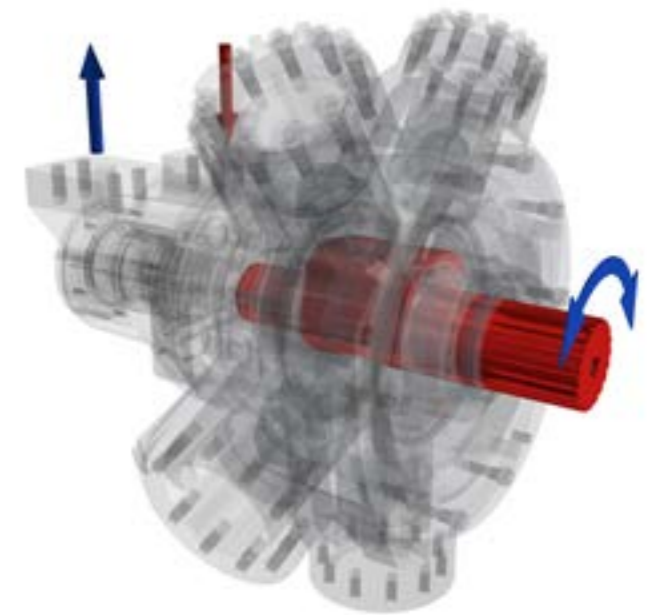
Please contact Kawasaki to order this feature.

1-4 Special Features

◆ Anti-Clockwise Rotation

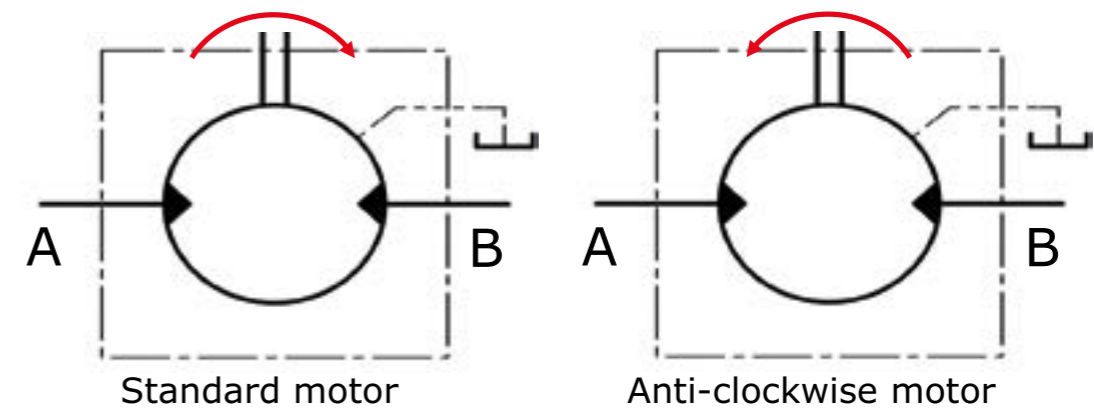
Description:

- > Reduce installation complexity
- > Standardise equipment designs



Technical Information

All HMC motors can be specified with an anti-clockwise rotation valve configuration. All performance and volumetric characteristics remain unchanged.



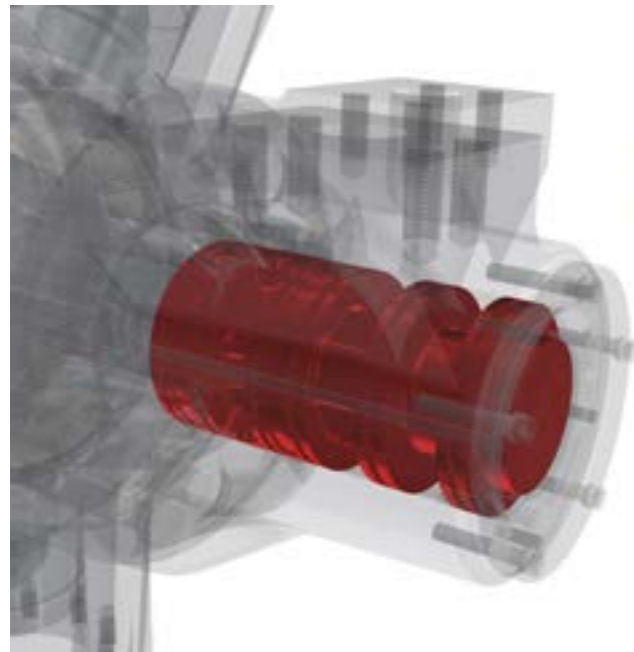
Applicable to:

HMC030	HMC045	HMC080	HMC125	HMC200	HMC270	HMC325
●	●	●	●	●	●	●

Please contact Kawasaki to order this feature.

1-4 Special Features

◆ Thermal Shock Resistance



Description:

- > Recommended for cold climates
- > Optimised for start-up in freezing temperatures
- > Engineered for total peace of mind

Technical Information

Starting up a cold system with warm hydraulic fluid is a known cause of heavy wear and potential seizure of hydraulic machinery. To minimise this potential risk, the HMC motor can be configured to combat thermal shocks to give complete peace of mind when operating in very cold climates.

Volumetric Performance

In order to provide thermal shock resistance the volumetric characteristics of the motor performance are changed. When calculating leakage and volumetric efficiency use the constants shown on the next page in place of those given for the standard motor on page 29.

All figures given in Section 2-1 Performance Data are still valid when selecting this feature.

Note:

When operating at low temperature, consideration must be given to the guidance notes in Section 2-8 Motor Operation at Low Temperature (see page 37).

1-4 Special Features

◆ Thermal Shock Resistance (cont)

Motor Type	Geometric Displacement	Zero Speed Constant	Speed Constant	Creep Speed Constant	Crankcase Leakage Constant
	cc/rev	K1	K2	K3	K4
HMC080	1,639	11.10	45.70	6.99	7.90
HMC125	2,048	7.70	38.50	3.78	4.25
HMC200	3,087	7.98	38.50	2.61	4.25
HMC270	4,588	8.38	37.30	1.91	6.00
HMC325	5,326	8.38	40.00	1.65	6.00

Applicable to:

HMC030	HMC045	HMC080	HMC125	HMC200	HMC270	HMC325
●	●	●	●	●	●	●

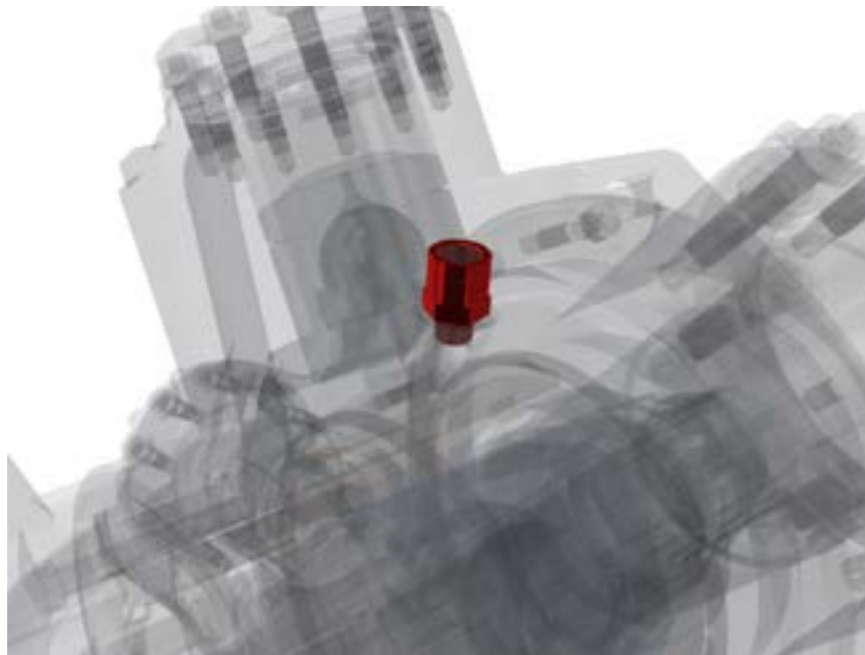
Please contact Kawasaki to order this feature.

1-4 Special Features

◆ Drain Port Adaptors

Description:

- > Improves manufacturing logistics
- > Motor supplied ready for connection to 1½" BSPP male fitting



Technical Information

Motor Type	Adaptor Supplied
HMC030	¾" UNF 2B to ½" BSPP
HMC045	¾" UNF 2B to ½" BSPP
HMC080	¾" UNF 2B to ½" BSPP
HM(HD)C125	¾" UNF 2B to ½" BSPP
HM(HD)C200	¾" UNF 2B to ½" BSPP
HM(HD)C270	¾" UNF 2B to ½" BSPP
HM(HD)C325	¾" UNF 2B to ½" BSPP

One or two drain adaptors can be supplied.

Applicable to:

HMC030	HMC045	HMC080	HMC125	HMC200	HMC270	HMC325
●	●	●	●	●	●	●

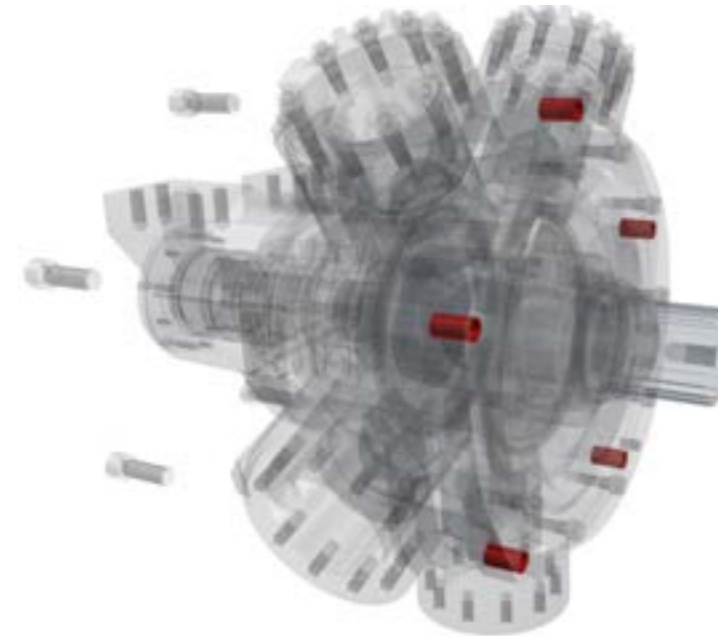
Please contact Kawasaki to order this feature.

1-4 Special Features

◆ Mounting Hole Diameter

Description:

- > Matching mounting holes to bolts
- > Φ21mm and Φ22mm options available



Technical Information

In different markets, different bolt standards are adopted which may not be best suited to the standard Φ20 mm mounting hole diameter on the HMC motors. To give a correct fit and optimum installation, Φ21 mm or Φ22 mm holes can be selected on larger frame sizes.



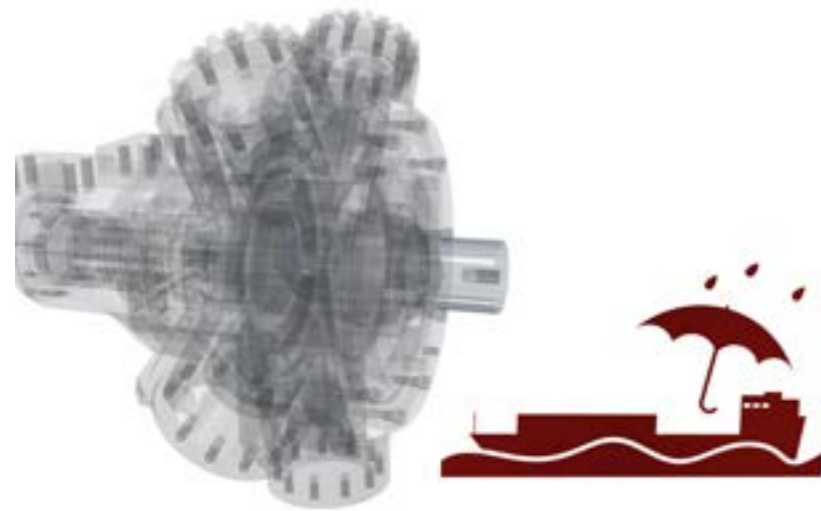
Applicable to:

HMC030	HMC045	HMC080	HMC125	HMC200	HMC270	HMC325
○	○	●	●	●	●	●

Please contact Kawasaki to order this feature.

1-4 Special Features

◆ Marine Specification Primer Paint



Description:

- > Improves corrosion and water resistance of the finishing system
- > Excellent adhesion strength
- > Recommended for marine applications

Technical Information

Colour	Red oxide
Type	Single pack epoxy etching primer
Standard	BS 3900 part A 8
Dry film thickness	> 12 µm

Applicable to:

HMC030	HMC045	HMC080	HMC125	HMC200	HMC270	HMC325
●	●	●	●	●	●	●

Please contact Kawasaki to order this feature.

2-1 Performance Data

Performance data is valid for the range of HMC motors when fully run-in and operating with mineral oil.

The appropriate motor displacements can be selected using performance data shown on pages 22 to 28. Refer to the table on this page for pressures and speed limits when using fire-resistant fluids.

◆ Rating definitions

Continuous rating

For continuous duty the motor must be operating within each of the maximum values for speed, pressure and power.

Intermittent rating

Intermittent max pressure: 275 bar.

This pressure is allowable on the following basis:

- a) Up to 50 rpm 15% duty for periods up to 5 minutes maximum.
- b) Over 50 rpm 2% duty for periods up to 30 seconds maximum.

Static pressure to DNV rules 380 bar.

Intermittent power rating

This is permitted on a 15% duty basis for periods upto 5 minutes maximum.

◆ Limits for fire resistant fluids

Fluid Type	Continuous Pressure (bar)	Intermittent Pressure (bar)	Max Speed (rpm)	Model Type
HFA 5/95 oil-in-water emulsion	130	138	50% of limits of mineral oil	All models
HFB 60/40 water-in-oil emulsion	138	172	As for mineral oil	All models
HFC water glycol	103	138	50% of limits of mineral oil	All models
HFD phosphate ester	250	293	As for mineral oil	All models

2-1 Performance Data (cont)

◆ **HMC030 Motor** (see page 30 for power calculation limits)

Displacement Code		30	27	24	21	18	15
Displacement	cc/rev	492	442	393	344	295	246
Average actual running torque	Nm/bar	6.86	6.08	5.3	4.59	3.88	3.2
Average actual mechanical efficiency	%	87.6	86.4	84.7	83.8	82.6	81.7
Average actual starting efficiency	%	82.8	81.4	79.6	77.1	73.9	69.3
Max continuous speed	rpm	450	500	525	550	575	600
Max continuous power	kW	60	60	55	49	42	35
Max intermittent power	kW	66	66	61	55	48	41
Max continuous pressure	bar	207	207	207	207	207	207
Max intermittent pressure	bar	241	241	241	241	241	241

Displacement Code		12	09	06	03	00	00
Displacement	cc/rev	197	147	98	49	0	0
Average actual running torque	Nm/bar	2.51	1.83	1.15	0.44	0	0
Average actual mechanical efficiency	%	80.1	78.2	73.7	56.4	0	0
Average actual starting efficiency	%	62.6	51.6	29.1	/	/	/
Max continuous speed	rpm	600	600	600	600	1,000	1,500**
Max continuous power	kW	27	20	10	0	0	0
Max intermittent power	kW	32	24	13	0	0	0
Max continuous pressure	bar	207	207	207	17*	17*	17*
Max intermittent pressure	bar	241	241	241	17*	17*	17*

Data shown is at 207 bar. Intermediate displacements can be made available to special order.

* See page 34: small displacements.

** A crankcase flushing flow of 15 l/min is required when freewheeling at 1,500 rpm.

2-1 Performance Data (cont)

◆ **HMC045 Motor** (see page 30 for power calculation limits)

Displacement Code		45	40	35	30	25	20
Displacement	cc/rev	737	655	573	492	410	328
Average actual running torque	Nm/bar	10.63	9.4	8.04	6.88	5.68	4.4
Average actual mechanical efficiency	%	90.6	90.2	88.2	87.9	87.0	84.3
Average actual starting efficiency	%	84.5	83.0	81.1	78.4	74.9	69.5
Max continuous speed	rpm	450	550	600	600	600	600
Max continuous power	kW	99	89	79	67	54	42
Max intermittent power	kW	119	107	95	80	65	50
Max continuous pressure	bar	250	250	250	250	250	250
Max intermittent pressure	bar	275	275	275	275	275	275

Displacement Code		15	10	5	00	00
Displacement	cc/rev	246	163	81	0	0
Average actual running torque	Nm/bar	3.2	1.55	0	0	0
Average actual mechanical efficiency	%	81.7	59.7	0	0	0
Average actual starting efficiency	%	60.6	43.0	/	/	/
Max continuous speed	rpm	600	600	1,000	1,000	1,500**
Max continuous power	kW	30	15	0	0	0
Max intermittent power	kW	36	18	0	0	0
Max continuous pressure	bar	250	250	17*	17*	17*
Max intermittent pressure	bar	275	275	17*	17*	17*

Data shown is at 250 bar. Intermediate displacements can be made available to special order.

* See page 34: small displacements.

** A crankcase flushing flow of 15 l/min is required when freewheeling at 1,500 rpm.

2-1 Performance Data (cont)

◆ **HMC080 Motor** (see page 30 for power calculation limits)

Displacement Code	97.6	90	85	80	75	70	65	60	55	50
Displacement cc/rev	1,600	1,475	1,393	1,311	1,229	1,147	1,065	983	901	819
Average actual running torque Nm/bar	23.9	22	20.75	19.5	18.25	17.02	15.78	14.55	13.2	12
Average actual mechanical efficiency %	93.9	93.7	93.6	93.5	93.3	93.2	93.1	93.0	92.1	92.1
Average actual starting efficiency %	87.1	86.0	85.2	84.3	83.3	80.8	80.8	79.2	77.4	75.1
Max continuous speed (S03/F3/FM3) rpm	270	300	320	340	365	390	420	450	475	500
Max continuous speed (S04/F4/FM4) rpm	365	400	415	430	445	460	475	490	500	515
Max continuous power kW	138	138	134	129	127	123	118	115	110	105
Max intermittent power kW	170	170	165	159	156	151	145	142	135	129
Max continuous pressure bar	250	250	250	250	250	250	250	250	250	250
Max intermittent pressure bar	275	275	275	275	275	275	275	275	275	275

Displacement Code	45	40	35	30	25	20	15	10	5	00	00
Displacement cc/rev	737	655	574	492	410	328	246	164	82	0	0
Average actual running torque Nm/bar	10.6	9.24	7.87	6.48	5.31	3.93	2.56	1.57	0	0	0
Average actual mechanical efficiency %	90.4	88.6	86.1	82.8	81.4	75.3	65.4	60.2	0	0	0
Average actual starting efficiency %	72.4	69.0	64.4	58.6	50.3	38.0	17.5	/	/	/	/
Max continuous speed (S03/F3/FM3) rpm	550	600	615	630	630	630	630	630	1,000	1,000	1,500**
Max continuous speed (S04/F4/FM4) rpm	530	545	560	575	585	600	615	630	1,000	1,000	1,500**
Max continuous power kW	99	92	79	64	52	38	26	12	0	0	0
Max intermittent power kW	122	113	97	79	64	47	32	15	0	0	0
Max continuous pressure bar	250	250	250	250	250	250	250	250	17*	17*	17*
Max intermittent pressure bar	275	275	275	275	275	275	275	275	17*	17*	17*

Data shown is at 250 bar. Intermediate displacements can be made available to special order.

* See page 34: small displacements.

** A crankcase flushing flow of 15 l/min is required when freewheeling at 1,500 rpm.

2-1 Performance Data (cont)

◆ **HMC125 Motor** (see page 30 for power calculation limits)

Displacement Code	125	120	110	100	90	80	70	60
Displacement cc/rev	2,048	1,966	1,802	1,639	1,475	1,311	1,147	983
Average actual running torque Nm/bar	29.9	28.7	26.3	23.6	21	18.3	15.7	12.8
Average actual mechanical efficiency %	91.7	91.7	90.5	90.5	89.5	87.7	86.0	81.8
Average actual starting efficiency %	80.2	79.2	74.3	74.3	71.1	67.0	61.8	54.9
Max continuous speed (S03/F3/FM3) rpm	215	225	270	270	300	340	390	450
Max continuous speed (S04/F4/FM4) rpm	300	310	340	365	400	430	460	490
Max continuous power kW	135	131	122	114	105	98	88	81
Max intermittent power kW	152	147	137	128	118	110	99	91
Max continuous pressure bar	250	250	250	250	250	250	250	250
Max intermittent pressure bar	275	275	275	275	275	275	275	275

Displacement Code	50	40	30	20	10	5	00	00
Displacement cc/rev	819	655	492	328	164	82	0	0
Average actual running torque Nm/bar	10.6	8.1	5.9	3.8	0.6	0	0	0
Average actual mechanical efficiency %	81.3	77.7	75.3	72.8	23.0	0	0	0
Average actual starting efficiency %	45.2	30.6	/	/	/	/	/	/
Max continuous speed (S03/F3/FM3) rpm	500	600	630	630	630	1,000	1,000	1,500**
Max continuous speed (S04/F4/FM4) rpm	515	545	575	600	630	1,000	1,000	1,500**
Max continuous power kW	72	62	48	24	4	0	0	0
Max intermittent power kW	81	70	54	33	6	0	0	0
Max continuous pressure bar	250	250	250	250	250	17*	17*	17*
Max intermittent pressure bar	275	275	275	275	275	17*	17*	17*

Data shown is at 250 bar. Intermediate displacements can be made available to special order.

* See page 34: small displacements.

** A crankcase flushing flow of 15 l/min is required when freewheeling at 1,500 rpm.

2-1 Performance Data (cont)

◆ HMC200 Motor (see page 30 for power calculation limits)

Displacement Code	188	180	170	160	150	140	130	120	110	100	90
Displacement cc/rev	3,087	2,950	2,790	2,620	2,460	2,290	2,130	1,970	1,800	1,639	1,475
Average actual running torque Nm/bar	46.6	44	39.1	39.1	36.6	34	31.3	28.7	26.3	23.6	21
Average actual mechanical efficiency %	94.8	93.7	93.9	93.8	93.5	93.3	92.3	91.5	91.8	90.5	89.5
Average actual starting efficiency %	85.4	84.9	83.9	83.1	81.8	80.7	79.1	77.2	75.4	72.8	69.8
Max continuous speed (S03/F3/FM3) rpm	175	180	190	195	200	205	210	225	240	270	300
Max continuous speed (S04/F4/FM4) rpm	230	235	240	245	250	265	285	310	340	365	400
Max continuous power kW	174	174	174	165	156	148	139	131	122	114	105
Max intermittent power kW	195	195	195	185	175	166	156	147	137	128	118
Max continuous pressure bar	250	250	250	250	250	250	250	250	250	250	250
Max intermittent pressure bar	275	275	275	275	275	275	275	275	275	275	275

Displacement Code	80	70	60	50	40	30	20	10	5	00	00
Displacement cc/rev	1,311	1,150	983	820	655	492	328	164	82	0	0
Average actual running torque Nm/bar	18.3	15.7	12.8	10.6	8.1	5.9	3.8	0.6	0	0	0
Average actual mechanical efficiency %	87.7	85.8	81.8	81.2	77.7	75.3	72.8	23.0	0	0	0
Average actual starting efficiency %	66.1	61.1	54.8	45.7	32.1	/	/	/	/	/	/
Max continuous speed (S03/F3/FM3) rpm	340	390	450	500	600	630	630	630	1,000	1,000	1,500**
Max continuous speed (S04/F4/FM4) rpm	430	460	485	515	545	575	600	630	1,000	1,000	1,500**
Max continuous power kW	98	88	81	72	62	48	25	5	0	0	0
Max intermittent power kW	110	99	91	81	70	54	33	6	0	0	0
Max continuous pressure bar	250	250	250	250	250	250	250	250	17*	17*	17*
Max intermittent pressure bar	275	275	275	275	275	275	275	275	17*	17*	17*

Data shown is at 250 bar. Intermediate displacements can be made available to special order.

* See page 34: small displacements.

** A crankcase flushing flow of 15 l/min is required when freewheeling at 1,500 rpm.

2-1 Performance Data (cont)

◆ HMC270 Motor (see page 30 for power calculation limits)

Displacement Code	280	250	220	200	180	160	140	120	100
Displacement cc/rev	4,588	4,097	3,605	3,277	2,950	2,622	2,294	1,966	1,639
Average actual running torque Nm/bar	69.4	61.9	53.9	49	43.6	38.3	33.2	27.9	22.4
Average actual mechanical efficiency %	95.0	94.9	93.9	94.0	92.9	91.8	90.9	89.2	85.9
Average actual starting efficiency %	84.7	83.8	82.7	81.8	80.6	79.2	77.3	74.9	71.5
Max continuous speed rpm	150	160	170	175	210	230	275	310	375
Max continuous power kW	189	176	161	150	139	128	116	104	89
Max intermittent power kW	213	198	181	169	156	144	132	120	107
Max continuous pressure bar	250	250	250	250	250	250	250	250	250
Max intermittent pressure bar	275	275	275	275	275	275	275	275	275

Displacement Code	80	60	40	30	20	10	00	00
Displacement cc/rev	1,311	983	655	492	328	164	0	0
Average actual running torque Nm/bar	17.1	12.2	7.9	5.15	2.4	0	0	0
Average actual mechanical efficiency %	82.0	78.0	75.8	65.8	46.0	0	0	0
Average actual starting efficiency %	66.3	57.8	40.7	23.5	/	/	/	/
Max continuous speed rpm	430	460	490	515	545	1,000	1,000	1,500**
Max continuous power kW	73	57	38	26	14	0	0	0
Max intermittent power kW	95	80	55	38	20	0	0	0
Max continuous pressure bar	250	250	250	250	250	17*	17*	17*
Max intermittent pressure bar	275	275	275	275	275	17*	17*	17*

Data shown is at 250 bar. Intermediate displacements can be made available to special order.

* See page 34: small displacements.

** A crankcase flushing flow of 15 l/min is required when freewheeling at 1,500 rpm.

2-1 Performance Data (cont)

◆ **HMC325 Motor** (see page 30 for power calculation limits)

Displacement Code	325	310	300	280	250	220	200	180	160	140	120
Displacement cc/rev	5,326	5,080	4,916	4,588	4,097	3,605	3,277	2,950	2,622	2,294	1,966
Average actual running torque Nm/bar	80.4	76.6	74.1	69.1	61.6	53.9	49	43.6	38.3	33.2	27.9
Average actual mechanical efficiency %	94.8	94.7	94.7	94.6	94.5	93.9	94.0	92.9	91.8	90.9	89.2
Average actual starting efficiency %	85.7	85.4	85.2	84.7	83.8	82.7	81.8	80.6	79.2	77.3	74.9
Max continuous speed rpm	130	135	140	150	160	170	190	215	230	275	330
Max continuous power kW	189	189	189	189	176	161	150	139	128	116	104
Max intermittent power kW	213	213	213	213	198	181	169	156	144	132	120
Max continuous pressure bar	250	250	250	250	250	250	250	250	250	250	250
Max intermittent pressure bar	275	275	275	275	275	275	275	275	275	275	275

Displacement Code	100	95	80	60	40	30	20	10	00	00
Displacement cc/rev	1,639	1,557	1,311	983	655	492	328	164	0	0
Average actual running torque Nm/bar	22.4	20.9	17.1	12.2	7.9	5.15	2.4	0	0	0
Average actual mechanical efficiency %	85.9	84.3	82.0	78.0	75.8	65.8	46.0	0	0	0
Average actual starting efficiency %	71.5	70.4	66.3	57.8	40.7	23.5	/	/	/	/
Max continuous speed rpm	370	405	440	460	495	515	545	1,000	1,000	1,500**
Max continuous power kW	89	85	73	57	38	26	14	0	0	0
Max intermittent power kW	107	101	95	80	55	38	20	0	0	0
Max continuous pressure bar	250	250	250	250	250	250	250	17*	17*	17*
Max intermittent pressure bar	275	275	275	275	275	275	275	17*	17*	17*

Data shown is at 250 bar. Intermediate displacements can be made available to special order.

* See page 34: small displacements.

** A crankcase flushing flow of 15 l/min is required when freewheeling at 1,500 rpm.

2-2 Volumetric Efficiency Data

Motor Type	Geometric Displacement	Zero Speed Constant	Speed Constant	Creep Speed Constant	Crankcase Leakage Constant	Fluid Viscosity	Viscosity Factor
HMC	cc/rev	K ₁	K ₂	K ₃	K ₄	cSt	Kv
HMC030	492	4.90	*	10.00	3.50	20	1.58
HMC045	737	6.60	47.80	8.50	4.00	25	1.44
HMC080	1,639	9.50	45.70	5.80	7.90	30	1.30
HMC125	2,048	6.10	38.50	3.00	4.25	40	1.10
HMC200	3,087	6.10	38.50	2.00	4.20	50	1.00
HMC270	4,588	6.50	37.30	1.50	6.00	60	0.88
HMC325	5,326	6.50	40.00	1.30	6.00		

- Qt (total leakage)** = $[K_1 + n/K_2] \times \Delta P \times K_v \times 0.005$ l/min
- Creep speed** = $K_3 \times \Delta P \times K_v \times 0.005$ rpm
- Crankcase leakage** = $K_4 \times \Delta P \times K_v \times 0.005$ l/min
- ΔP** = differential pressure bar
- n** = speed rpm

The motor volumetric efficiency can be calculated as follows:

$$\text{Volumetric efficiency (\%)} = \left[\frac{(\text{speed} \times \text{disp.})}{(\text{speed} \times \text{disp.}) + Q_t} \right] \times 100$$

Example:

HMC200 motor with displacement of 3.087 l/rev.

- Speed 60 rpm
- Differential pressure 200 bar
- Fluid viscosity 50 cSt

$$\begin{aligned} \text{Total leakage} &= (K_1 + n/K_2) \times \Delta P \times K_v \times 0.005 \quad \text{l/min} \\ &= (6.1 + 60/38.5) \times 200 \times 1 \times 0.005 \\ &= 7.7 \quad \text{l/min} \end{aligned}$$

$$\begin{aligned} \text{Volumetric efficiency} &= \left[\frac{(60 \times 3.087)}{(60 \times 3.087) + 7.7} \right] \times 100 \\ &= \underline{96\%} \end{aligned}$$

2-3 Shaft Power Calculation

◆ Example

Firstly, to find the maximum differential pressure ΔP at rated speed:

Select the rated shaft power (W) for the motor from the performance data table (page 24). This is presented in kilowatts so must be converted to watts (x1000).

Then also take the Actual Average running torque in N.m/bar (T_o) and the rated shaft speed in rpm (n).

$$W = \frac{T_o \cdot \Delta P \cdot 2\pi \cdot n}{60}$$

Or to find maximum ΔP then use:

$$\Delta P = \frac{60 \cdot W}{2\pi \cdot T_o \cdot n}$$

HMC270 Example - with a displacement code of 280:

Rated shaft power (W):	189,000
Average actual running torque (Nm/bar):	69.4
Rated shaft speed (rpm):	150

$$\Delta P = \frac{60 \times 189,000}{2\pi \times 69.4 \times 150}$$

ΔP= 174 bar (max.)

Secondly, to find the maximum speed at rated pressure (using the same information as before):

$$n = \frac{60 \cdot W}{2\pi \cdot T_o \cdot \Delta P}$$

Rated pressure (bar):	250
-----------------------	-----

$$n = \frac{60 \times 189,000}{2\pi \times 69.4 \times 250}$$

n = 104 rpm (max.)

In summary, operating the motor within its shaft power limit, at rated speed, would give a maximum pressure of 174 bar, and operating the motor at rated pressure, would give a maximum speed of 104 rpm.

Notes

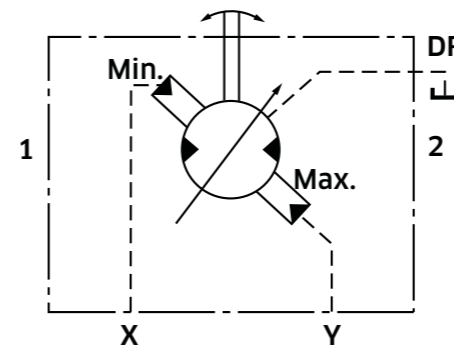
- 1) The maximum calculated speed is based on a rated inlet pressure of 250 bar.
- 2) The maximum shaft power is only allowable if the motor drain temperature remains below 80°C.
- 3) The maximum calculated differential pressure assumes that the low pressure motor port is less than 30 bar.

2-4 Functional Symbols

◆ Example model code:

HMC*/P/***/**/FM3/X/...**

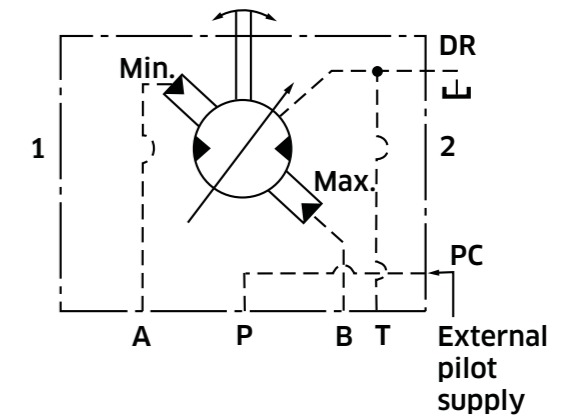
X - external pilot supply to 'X' and 'Y' ports



◆ Example model code:

HMC*/P/***/**/FM3/C/...**

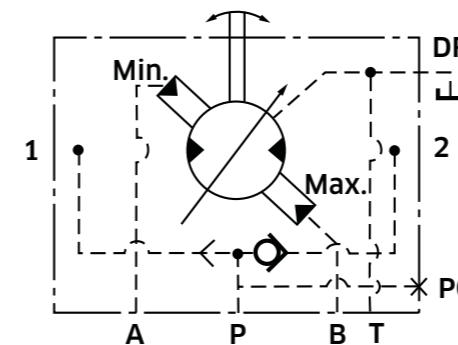
C - single external supply to PC port



◆ Example model code:

HMC*/P/***/**/FM3/CS/...**

CS - internally shuttled pilot supply



There is a single port (PC) in the 'C' spacer.

Pressure ports in FM3 & FM4 valve housings can be called up as special features when required.

2-5 Stress Limits

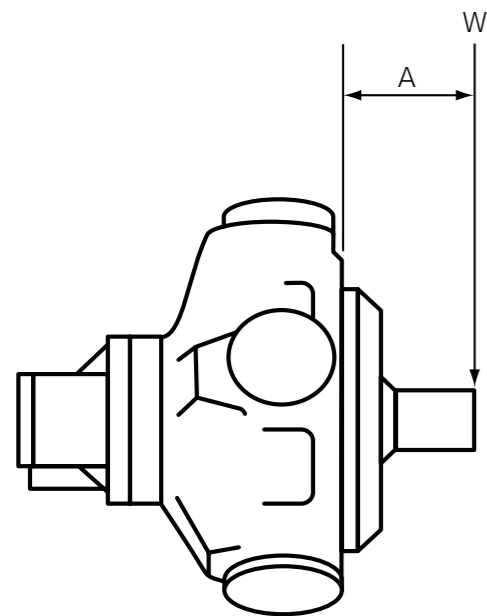
When applying large external radial loads, consideration should also be given to motor bearing lives (see page 33).

Motor Frame Size	Maximum External Radial Bending Moment [Nm]
HMC030	2,600
HMC045	3,300
HMC080	4,500
HMC125	6,500
HMC200	6,750
HMC270	8,250
HMC325	8,250

Example:

Determine the maximum radial shaft load of a HMC080 motor:

Radial load offset, A = 100 mm
 Maximum radial load, W = 4,500 (see table)/100
= 45kN (4,587 kg)



A = Distance from mounting face to load centre (mm)

W = Side load (N)

[Note]

The offset distance **A** is assumed to be greater than 50 mm.
 Contact KPM UK if this is not the case.

2-6 Bearing Life Notes

Consideration should be given to the required motor bearing life in terms of bearing service life. The factors that will determine bearing life include:

- 1) Duty cycle - time spent on and off load
- 2) Speed
- 3) Differential pressure
- 4) Fluid viscosity
- 5) External radial shaft load
- 6) External axial shaft load

2-7 Circuit and Application Notes

◆ Limits for fire resistant fluids

To select either displacement, a pressure at least equal to 67% of the motor inlet/outlet pressure (whichever is higher) is required. In most applications the motor inlet pressure will be used. If the inlet/outlet pressure is below 3.5 bar, a minimum control pressure of 3.5 bar is required. In the event of loss of control pressure the motor will shift to its highest displacement.

◆ Starting torque

Refer to performance data, (see pages 7 to 13).

◆ Low speed operation

The minimum operating speed is determined by load inertia, drive elasticity, motor displacement and system internal leakage. If the application speed is below 3 rpm, then consult KPM UK.

If possible, always start the motor in high displacement.

◆ Small displacements

The pressures given in the tables on pages 22 to 28 for displacement code “00” are based on 1,000 rpm output shaft speed. This pressure can be increased

for shaft speeds less than 1,000 rpm; consult KPM UK for details. Speeds greater than 1,000 rpm may be applied but only after the machine duty cycle has been considered in conjunction with KPM UK. A zero swept volume displacement (for freewheeling requirements) is available on request, consult KPM UK.

◆ High back pressure

When both inlet and outlet ports are pressurised continuously, the lower pressure port must not exceed **70 bar** at any time. Note that high back pressure reduces the effective torque output of the motor.

◆ Boost pressure

When operating as a motor the outlet pressure should equal or exceed the crankcase pressure. If pumping occurs (i.e. overrunning loads) then a positive pressure, “P”, is required at the motor ports. Calculate “P” (bar) from the operating formula Boost Formula

$$P = 1 + \frac{N^2 \times V^2}{K} + C$$

Where P is in bar, N = motor speed (rpm), V = motor displacement (cc/rev), C = Crankcase pressure (bar) and K=a constant from the table below:

Motor	Porting	Constant (K)
HMC030	F(M)3 & SM3	7.5 x 10 ⁹
HMC045	F(M)3 & SM3	1.6 x 10 ¹⁰
HMC080	F(M)3 & SM3	1.6 x 10 ¹⁰
	F(M)4	3.3 x 10 ¹⁰
HMC125 & HMC200	F(M)3 & SM3	1.6 x 10 ¹⁰
	F(M)4	3.3 x 10 ¹⁰
HMC270 & HMC325	F(M)4	4.0 x 10 ¹⁰

2-7 Circuit and Application Notes (cont)

The flow rate of oil for the make-up system can be estimated from the crankcase leakage data (see page 29) plus an allowance for changing displacement:

e.g.

- HMC030** To change high to low in 0.2 sec requires 11 l/min
- HMC045** To change high to low in 0.25 sec requires 15 l/min
- HMC080** To change high to low in 0.25 sec requires 32 l/min
- HMC125** To change high to low in 0.5 sec requires 15 l/min
- HMC200** To change high to low in 0.5 sec requires 15 l/min
- HMC270** To change high to low in 1 sec requires 24 l/min
- HMC325** To change high to low in 1 sec requires 20 l/min

Allowances should be made for other systems losses and also for “fair wear and tear” during the life of the motor, pump and system components.

◆ Motorcase pressure

The motorcase pressure should not continuously exceed 3.5 bar with a standard shaft seal fitted. On installations with long drain lines a relief valve is recommended to prevent over-pressurising the seal.

Notes

- 1) The motorcase pressure at all times must not exceed either the motor inlet or outlet pressure.
- 2) High pressure shaft seals are available to special order for casing pressures of: 10 bar continuous and 15 bar intermittent.
- 3) Check installation dimensions (pages 27 to 67) for maximum crankcase drain fitting depth.

◆ Hydraulic Fluids

Dependent on motor (see model code fluid type - page 3) suitable fluids include:

- a) Antiwear hydraulic oils
- b) Phosphate ester (HFD fluids)
- c) Water glycols (HFC fluids)
- d) 60/40% water-in-oil emulsions (HFB fluids)
- e) 5/95% oil-in-water emulsions (HFA fluids)

Reduce pressure and speed limits, as per table on page 21.

Viscosity limits when using any fluid except oil-in-water (5/95) emulsions are:

- Max. off load:** 2,000 cSt (9270 SUS)
- Max. on load:** 150 cSt (695 SUS)
- Optimum:** 50 cSt (232 SUS)
- Minimum:** 25 cSt (119 SUS)

◆ Mineral oil recommendations

The fluid should be a good hydraulic grade, non-detergent Mineral Oil. It should contain anti-oxidant, antifoam and demulsifying additives. It must contain antiwear or EP additives. Automatic transmission fluids and motor oils are not recommended.

◆ Biodegradable Fluid Recommendations

Well-designed environmentally acceptable lubricants (EALs) may be used with Staffa motors. The EAL must be designed for use in hydraulic systems and have a synthetic ester base. Additives should be as listed for mineral oils, above. The performance of EALs with hydraulic systems vary widely and so checks for seal compatibility, copper alloy compatibility, oxidation resistance and lubrication properties should be carried out before selecting an EAL. For help with EALs please contact KPMUK.

2-7 Circuit and Application Notes (cont)

◆ Temperature limits

Ambient min. -30°C (-22°F)

Ambient max. +70°C (158°F)

Max. operating temperature range.

Mineral oil **Water containing**

Min -20°C (-4°F) +10°C (50°F)

Max. +80°C (175°F) +54°C (130°F)

Note: To obtain optimum services life from both fluid and hydraulic systems components, a fluid operating temperature of 40°C is recommended.

◆ Filtration

Full flow filtration (open circuit), or full boost flow filtration (close circuit) to ensure system cleanliness to ISO4406/1986 code 18/14 or cleaner.

◆ Noise levels

The airborne noise level is less than 66.7 dB(A) DIN & dB(A) NFPA through the “continuous” operating envelope. Where noise is a critical factor, installation resonances can be reduced by isolating the motor by elastomeric means from the structure and the return line installation. Potential return line resonances originating from liquid borne noise can be further attenuated by providing a return line back pressure of 2 to 5 bar.

◆ Polar moment of inertia and mass table

Motor Frame Size	Displacement code	Polar Moment of Inertia (kg.m ²) (Typical data)	Mass (kg) (Approx. all models)
HMC030	30	0.0120	100
	15	0.0094	
HMC045	45	0.0440	150
	30	0.0410	
HMC080	90	0.0520	172
	45	0.0440	
HMC125	125	0.2000	235
	50	0.1400	
HMC200	188	0.2300	282
	75	0.1800	
HMC270	280	0.4900	450
	100	0.4700	
HMC325	325	0.5000	460
	100	0.4700	

2-8 Motor Operation at Low Temperature

When operating the motor at low temperature consideration should be given to the fluid viscosity. The maximum fluid viscosity before the shaft should be turned is 2,000 cSt. The maximum fluid viscosity before load is applied to the motor shaft is 150 cSt.

If low ambient temperature conditions exist, then a crankcase flushing flow of at least 5 l/min should be applied to the motor during periods when the motor is not in use.

The shaft seal temperature limits for both medium and high pressure applications are shown in the table below.

	Non-operating temperature limits	Minimum operating temperature
Standard pressure shaft seal	below minus 40°C and above 100°C	minus 30°C
High pressure shaft seal	below minus 30°C and above 120°C	minus 15°C

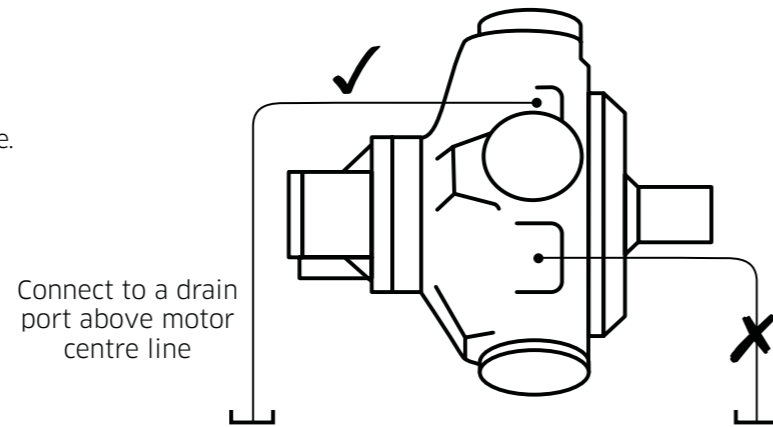
All seals are very brittle below minus 40°C and are likely to break very easily and due to their sluggish response may not provide a 100% leak free condition.

It should be noted that the maximum continuous operating temperature within the motor crankcase is plus 80°C.

2-9 Crankcase Drain Connections

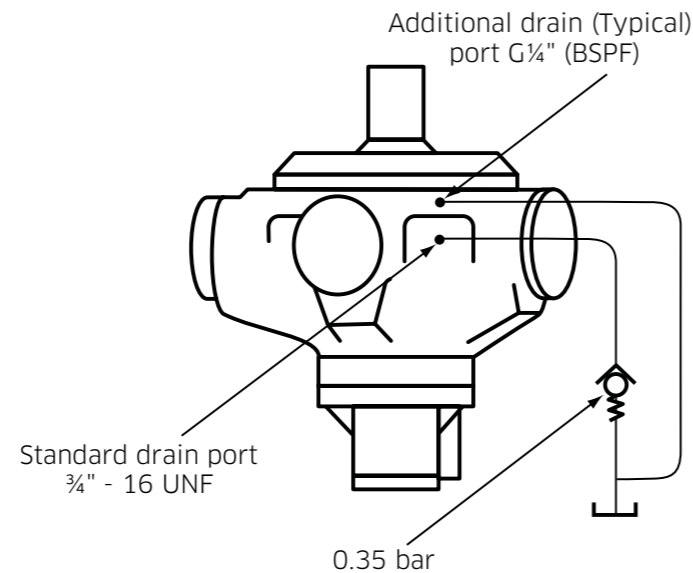
◆ Motor axis - horizontal

The recommended minimum pipe size for drain line lengths up to approx. 5m is 12.0 mm (½") bore. Longer drain lines should have their bore size increased to keep the crankcase pressure within limits.



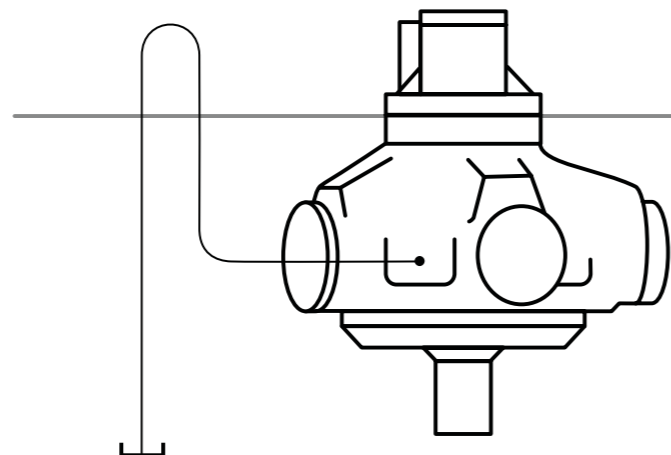
◆ Motor axis - vertical shaft up

Specify "V" within the model code for extra drain port, G¼" (BSPF). Connect this port into the main drain line downstream of a 0.35 bar check valve to ensure good bearing lubrication. The piping arrangement must not allow syphoning from the motorcase. (refer to installation drawing for details).



◆ Motor axis - vertical shaft down

The piping, from any drain port, must be taken above the level of the motorcase to ensure good bearing lubrication. The arrangement must not allow syphoning from the motorcase.



2-10 Freewheeling Notes

All Staffa motors can be used in freewheeling applications. In all circumstances it is essential that the motor is unloaded ("A" and "B" ports connected together) and that the circuit is boosted. The required boost pressure is dependent on both the speed and displacement conditions of the motor determined by the maximum overrunning load condition (see boost pressure calculation method on page 19)

It should be noted that for "B" motors large flows will re-circulate around the motor. This will require a large recirculating valve and consideration of circuit cooling as the motor will be generating a braking torque. It is for these reasons that "C" series motors are the preferred option for freewheeling applications. It is normal to select displacement codes 00, 05 or 10.

Selecting the lowest zero displacement option (00) will allow the motor shaft to be rotated at high speed without pumping fluid and with a minimum boost and drive torque requirement. Consideration must also be given when freewheeling that the load does not drive the motor above its rated freewheeling speed condition. (see pages 22 to 28).

◆ Displacement selection

Under all operating conditions the control pressure port should be at least 67% of the motor inlet/outlet pressure whichever is the higher.

A minimum control pressure at the low displacement selection port of 3.5 bar is necessary to ensure that the motor remains in its minimum displacement condition. A separate pressure supply may be necessary to ensure this condition is always maintained. It should be noted that with the loss of control pressure, the motor will shift to its high displacement condition, which could result in damage to the motor.

◆ Boost requirement

The minimum required boost pressure as noted above can be ascertained utilising the calculation method shown on page 19. The maximum motor and control pressure at 100 rpm is 17 bar and must not be exceeded since higher pressures will increase motor losses at the conrod slipper interface and valve assembly and thereby will significantly increase the motor operating temperature.

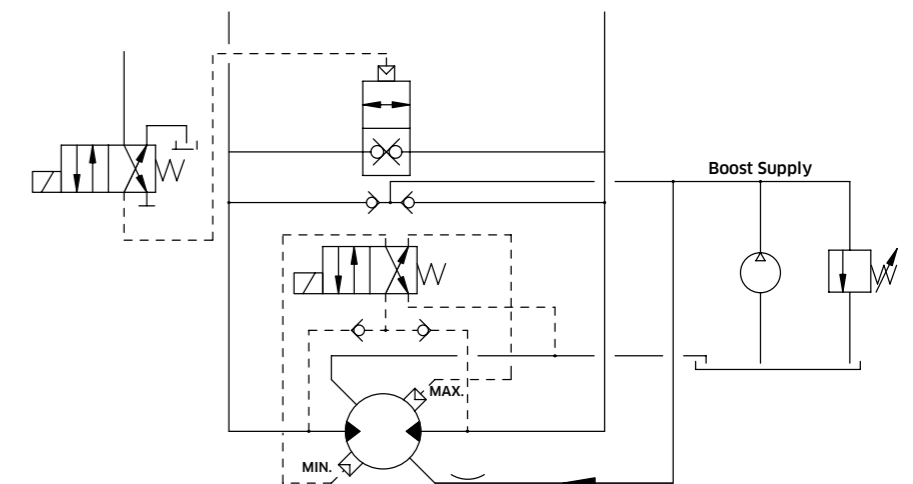
The boost flow required should be sufficient to make-up circuit leakage loss and provide cooling for recirculating flow pressure drop.

◆ Crankcase cooling

A crankcase flushing flow of up to 15 l/min can be used to control and reduce the temperature rise of the motor during the freewheel operation.

This should not be necessary for speeds below 1,000 rpm.

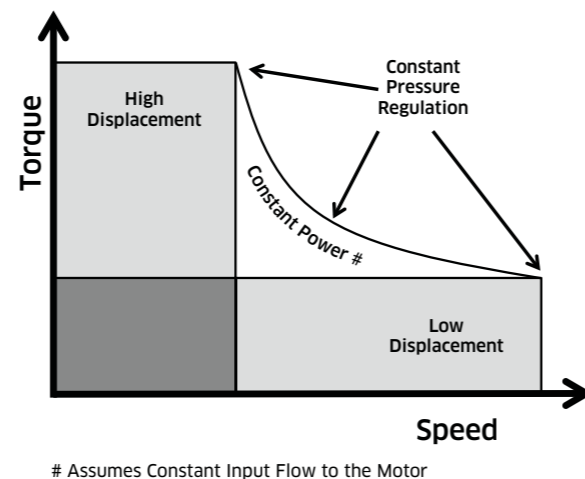
For speeds above this up to 1,500 rpm then crankcase flushing flow must be used.



2-11 Constant Pressure Regulator (CP)

◆ Introduction

The constant pressure regulator control has been developed for the HMC dual displacement motor series. Whereas the standard dual displacement motor operates only at either maximum or minimum displacement, the constant pressure regulator continually adjusts the motor displacement within the selected displacement range so as to keep the hydraulic inlet pressure constant. In order to provide an infinite smooth and controllable displacement change an enhanced low friction crankshaft assembly with anti-scuffing features is utilised.



◆ Description

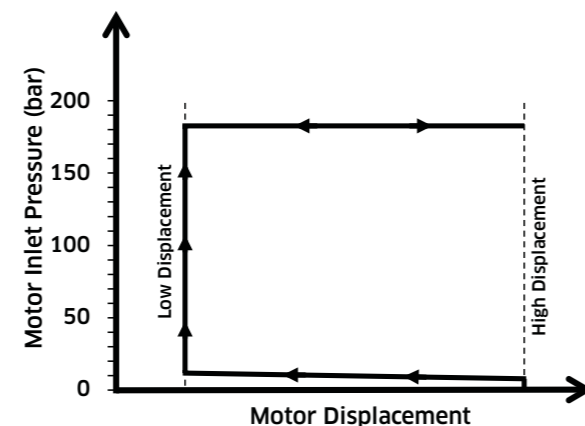
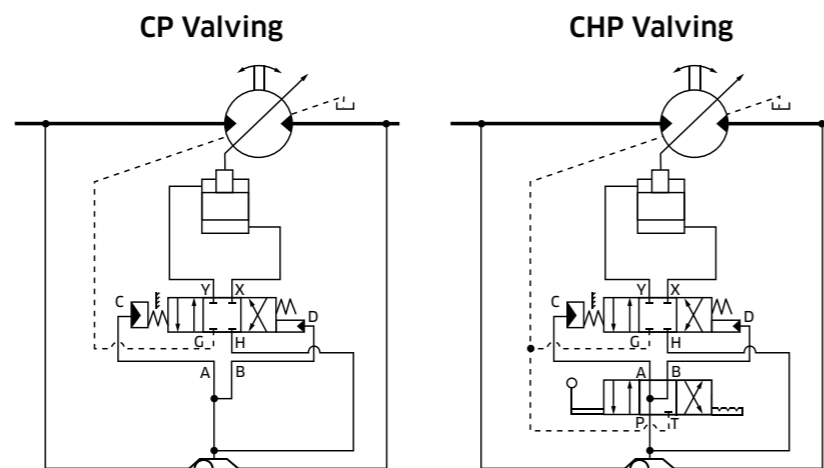
A constant pressure regulated motor incorporates a pressure sensing control (CP in model code) which senses and responds to variations in motor inlet pressure. Changes in inlet pressure from a chosen, preset value cause the control to direct oil to the relevant displacement piston chamber within the crankshaft, thereby altering displacement so as to maintain the inlet motor pressure constant.

The factory preset pressure of this valve is matched to the specific power requirements of the application.

An optional ISO4401, size 3 override valve (CHP in the model code) can be incorporated which enables high and low displacements to be selected individually).

It should be noted that for inlet pressures below 7 bar, independent of the preset pressure setting, the motor will stay in its fail safe high displacement condition. An increasing pressure thereafter will instantaneously force the motor to its low displacement condition after which the constant pressure regulation will commence.

Consult KPM UK for further details.



2-12 Installation Data

◆ General

Spigot

The motor should be located by the mounting spigot on a flat, robust surface using correctly sized bolts. The diametrical clearance between the motor spigot and the mounting must not exceed 0.15 mm. If the application incurs shock loading, frequent reversing or high speed running, then high tensile bolts should be used, including one fitted bolt.

Bolt Torque

The recommended torque wrench setting for bolts is as follows:

M18	312 +/- 7 Nm
5/8" UNF	265 +/- 14 Nm
M20	407 +/- 14 Nm
3/4" UNF	393 +/- 14 Nm

Shaft coupling:

Where the motor is solidly coupled to a shaft having independent bearings the shaft must be aligned to within 0.13 mm TIR.

Motor axis - horizontal

The crankcase drain must be taken from a position above the horizontal centre line of the motor, (refer to installation drawing for details).

Motor axis - vertical shaft up

The recommended minimum pipe size for drain line lengths up to approx. 5 m is 12.0 mm as an internal diameter. If using longer drain lines, then increase the pipe internal bore diameter to keep the motorcase pressure within specified limits.

Specify "V" in the model code for extra drain port, G1/4" (BSPF). Connect this port into main drain line downstream of a 0.35 bar check valve.

Motor axis - vertical shaft down

Piping (from any drain port) must be taken above level of motorcase.

Bearing lubrication - piping

The installation arrangement must not allow syphoning from the motorcase. Where this arrangement is not practical, please consult KPM UK.

Any of the drain port positions can be used, but the drain line should be run above the level of the uppermost bearing and if there is risk of syphoning then a syphon breaker should be fitted.

◆ Start - up

Fill the crankcase with system fluid. Where practical, a short period (30 minutes) of "running in" should be carried out with the motor unloaded and set to its high displacement.

3 Dimensions

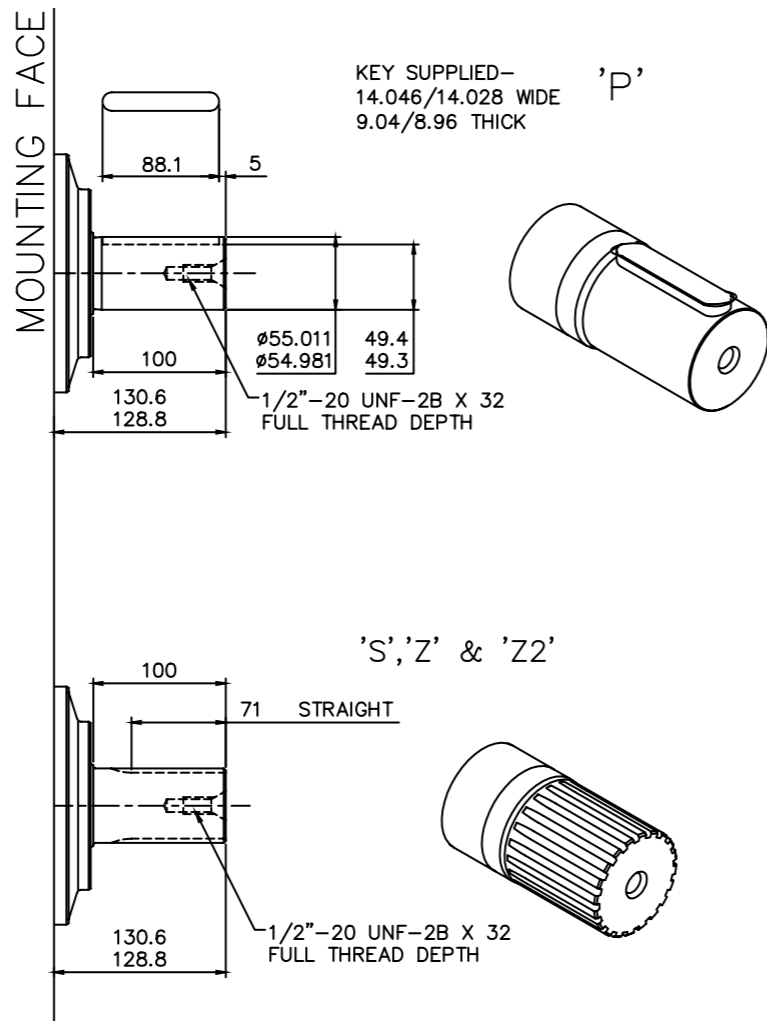
Conversion Table

Pressure	
bar	PSI
1	14.5
Flow	
l/min	gal/min
1	0.264 US
1	0.219 UK
Length	
mm	inch
25.4	1

Torque	
Nm	lbf ft
1	1.737
Power	
kW	hp
1	1.341
Mass	
kg	lb
1	2.2

3-1 HMC030

◆ 'P', 'S', 'Z' & 'Z2' Shafts



SPLINE DATA

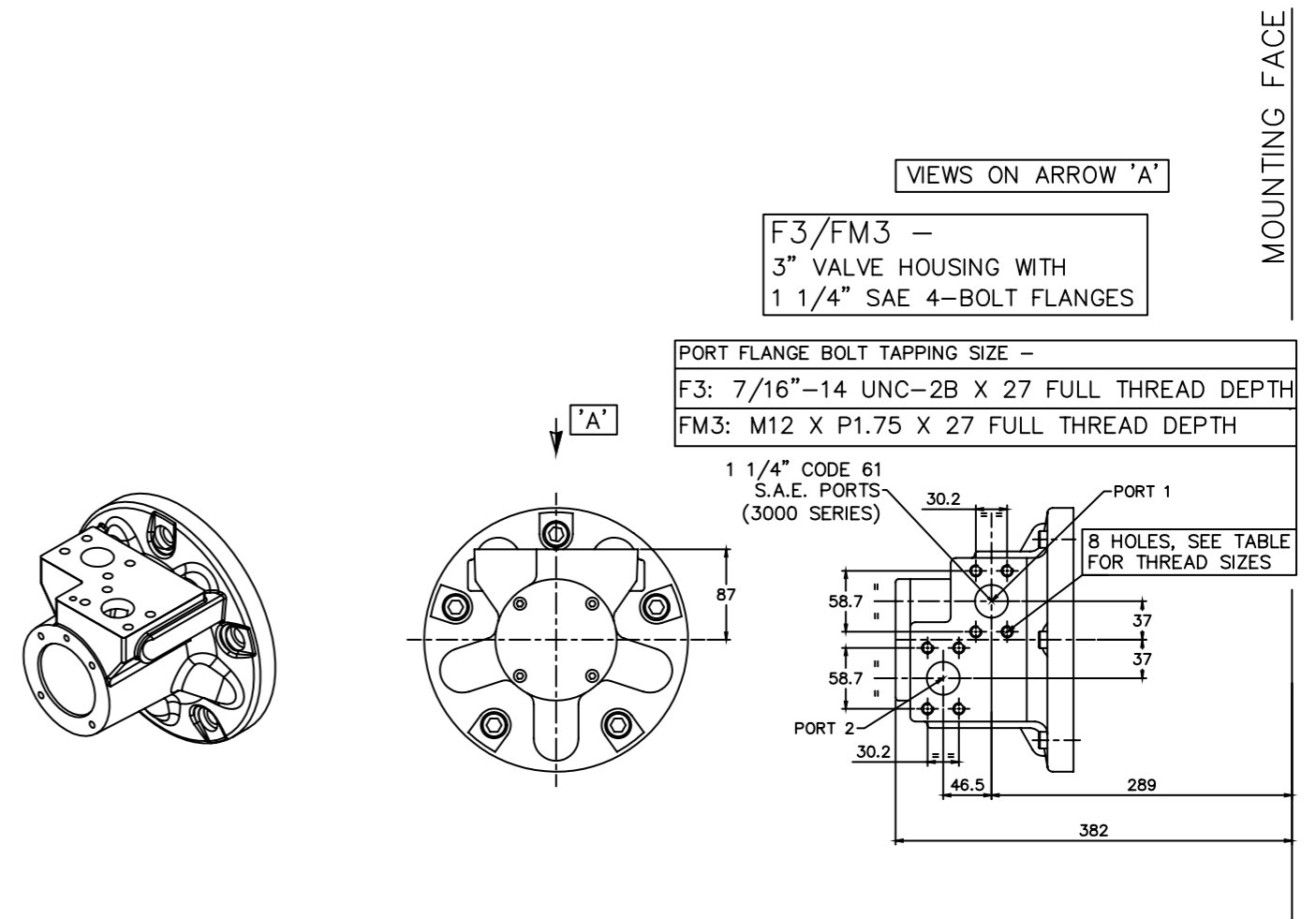
'S'	TO BS 3550 (ANSI B92.1 CLASS 5) FLAT ROOT SIDE FIT, CLASS 1 PRESSURE ANGLE 30° NUMBER OF TEETH 17 PITCH 8/16 MAJOR DIAMETER 56.41/56.29 FORM DIAMETER 50.70 MINOR DIAMETER 50.06/49.60 PIN DIAMETER 6.096 DIAMETER OVER PINS 62.984/62.931
-----	---

'Z'	DIN 5480 W55 x 3 x 17 x 7h
-----	----------------------------

'Z2'	DIN 5480 W60 x 3 x 18 x 7h
------	----------------------------

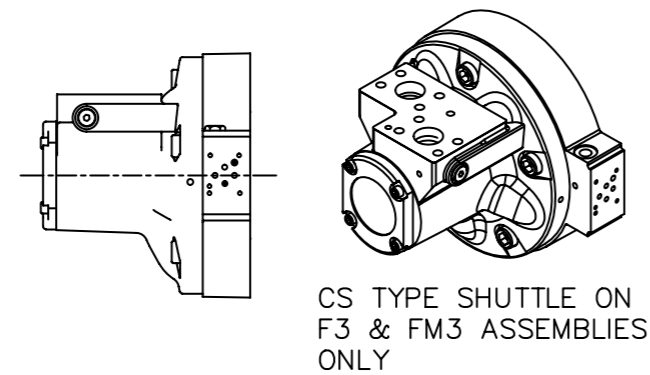
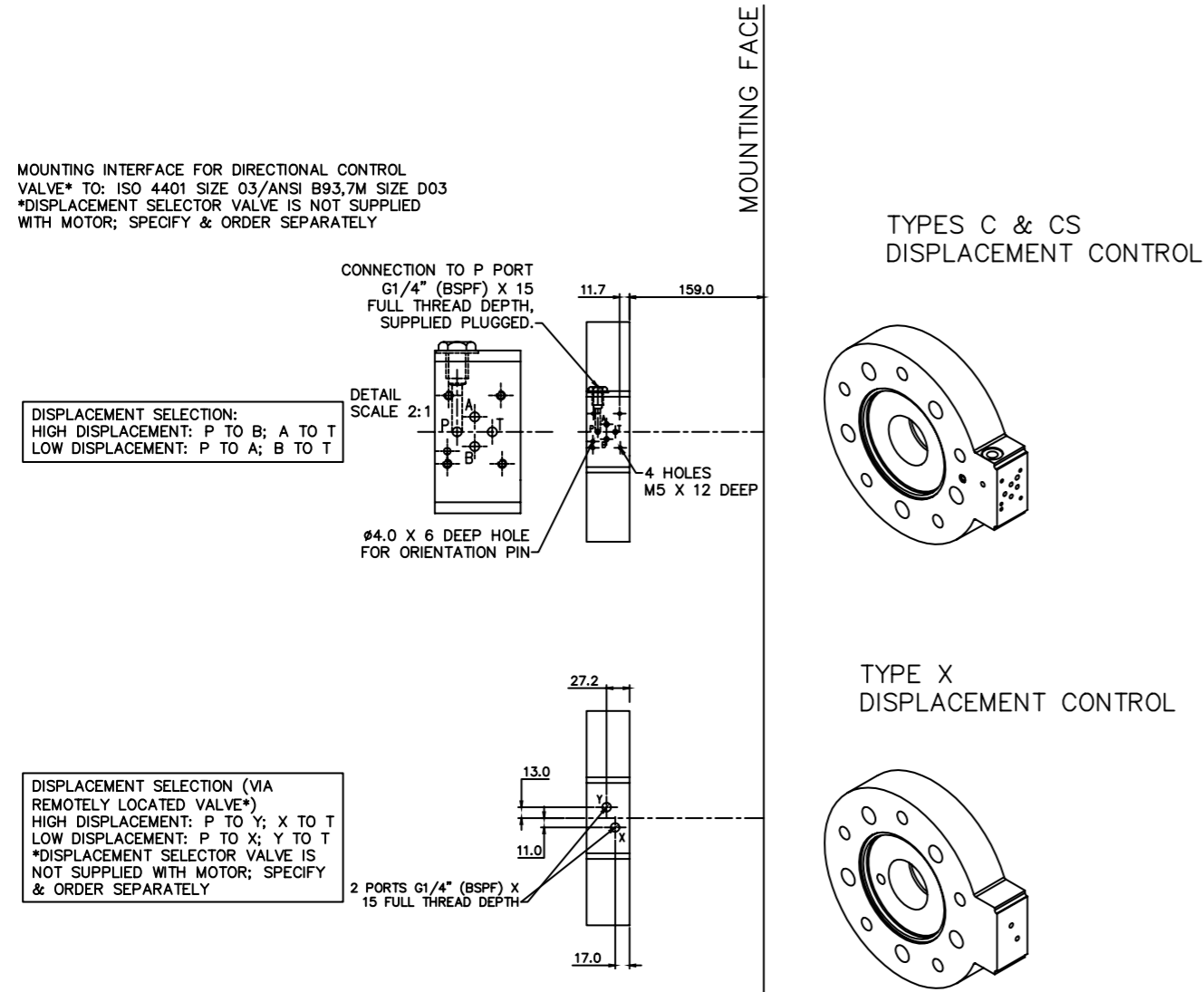
3-1 HMC030 (cont)

◆ 'F3' & 'FM3' Valve Housings



3-1 HMC030 (cont)

◆ 'C', 'CS' & 'X' C Spacers

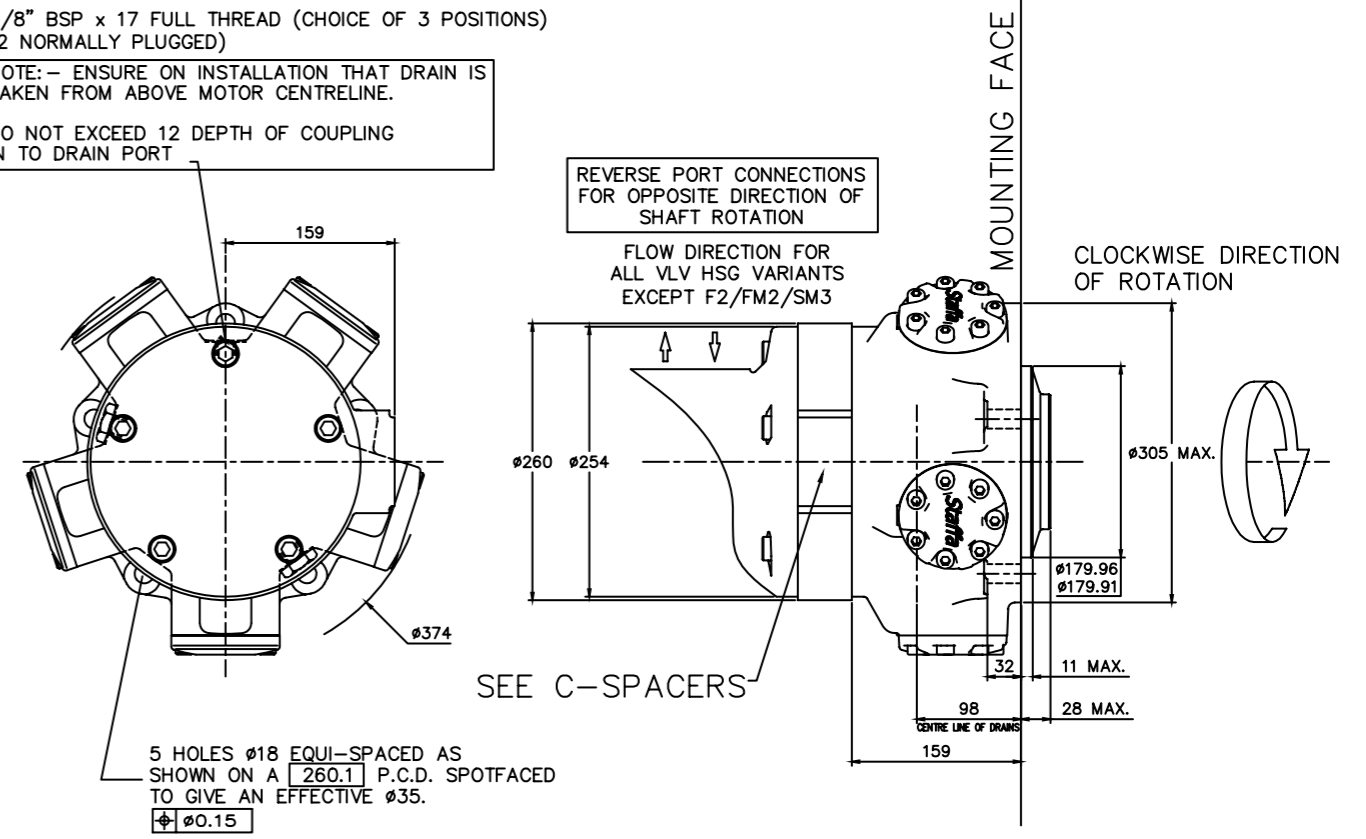


3-1 HMC030 (cont)

◆ Installation

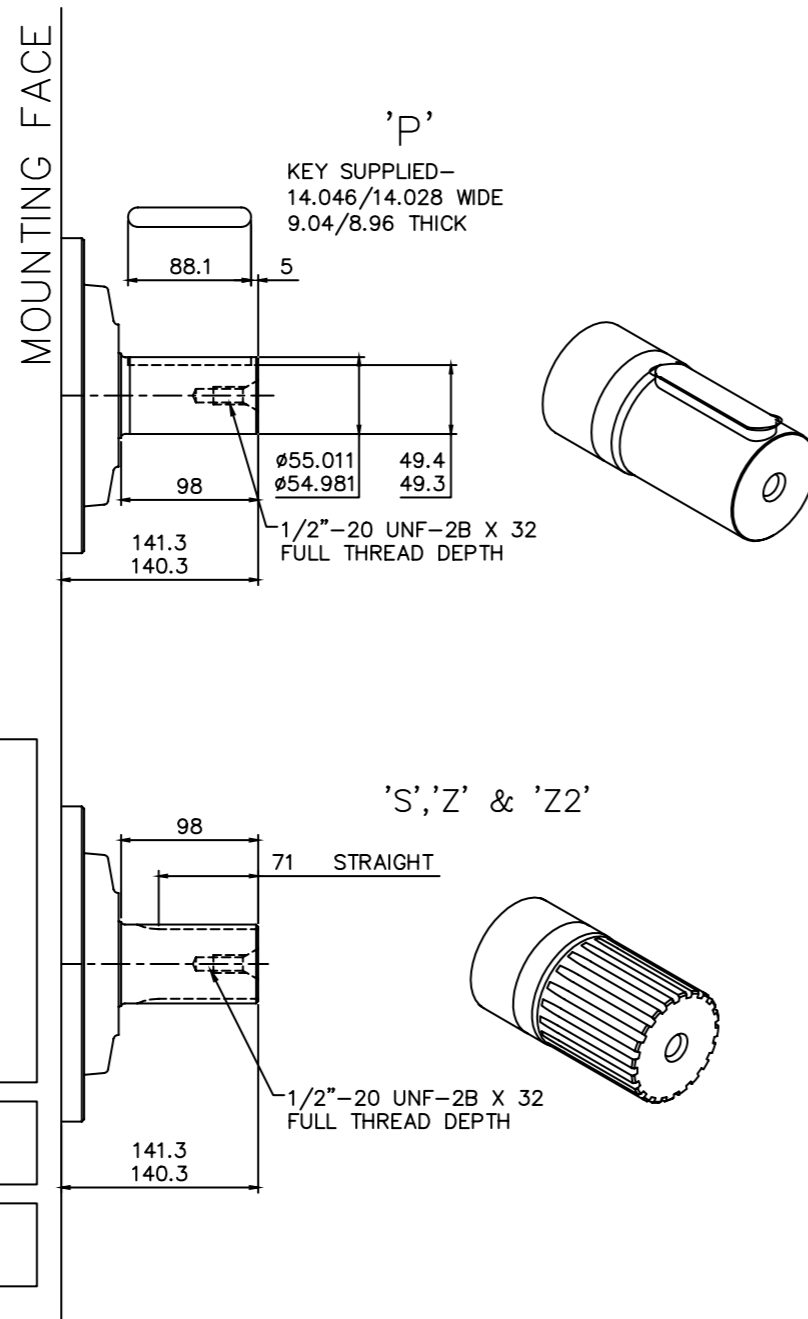
3/8" BSP x 17 FULL THREAD (CHOICE OF 3 POSITIONS)
(2 NORMALLY PLUGGED)

NOTE: - ENSURE ON INSTALLATION THAT DRAIN IS TAKEN FROM ABOVE MOTOR CENTRELINE.
DO NOT EXCEED 12 DEPTH OF COUPLING IN TO DRAIN PORT



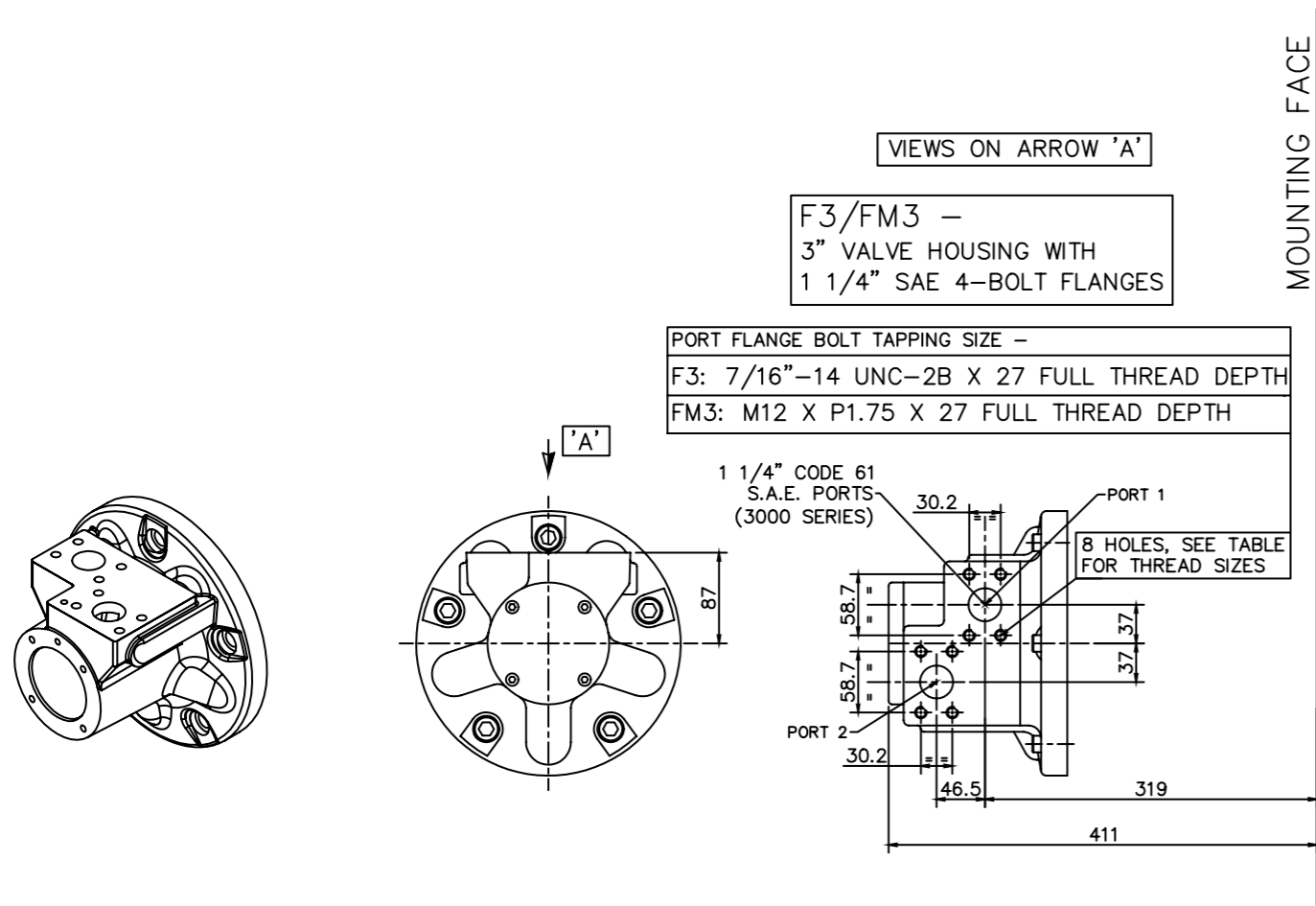
3-2 HMC045

◆ 'P', 'S', 'Z' & 'Z2' Shafts



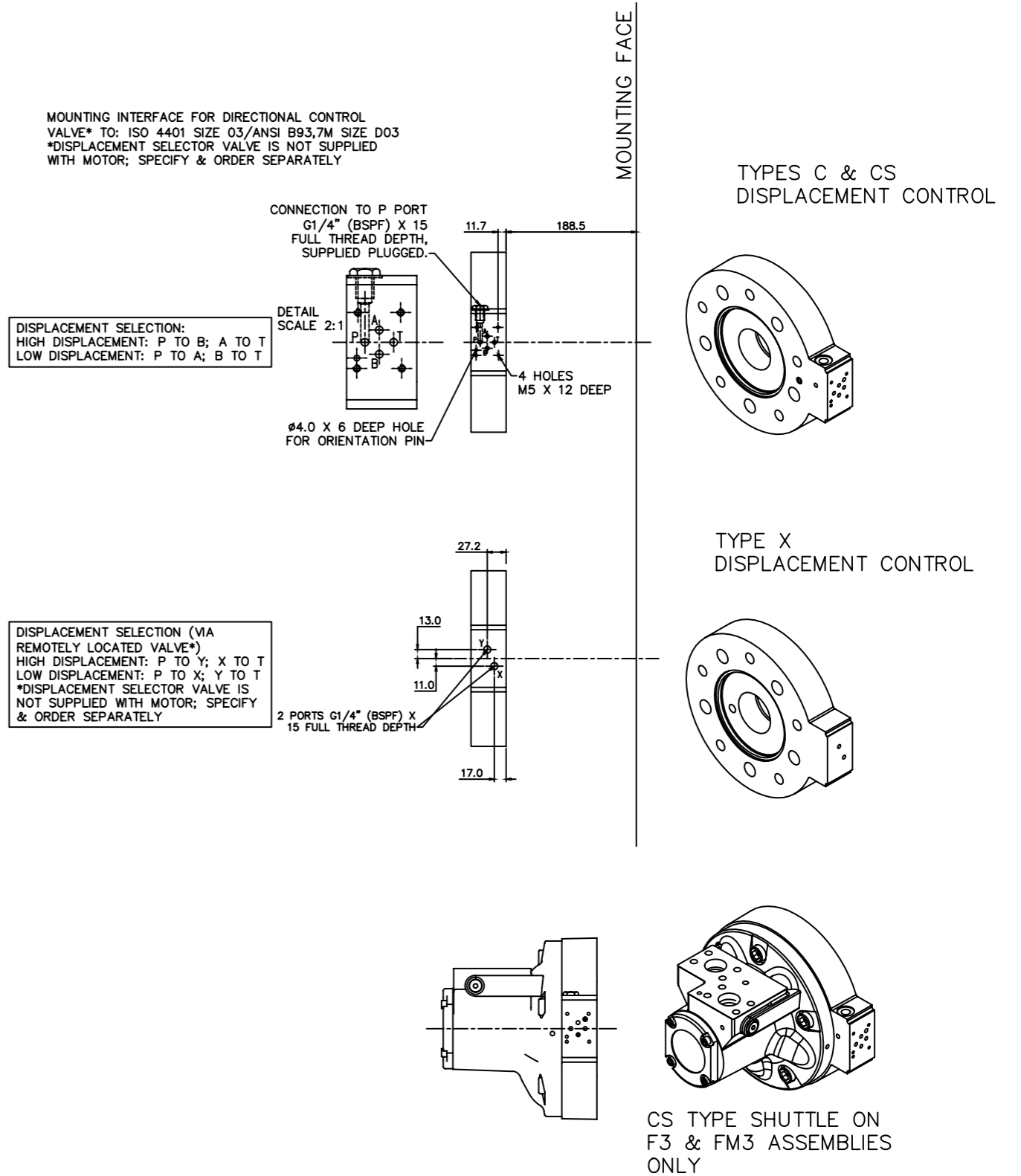
3-2 HMC045 (cont)

◆ 'F3' & 'FM3' Valve Housings



3-2 HMC045 (cont)

◆ 'C', 'CS' & 'X' C Spacers



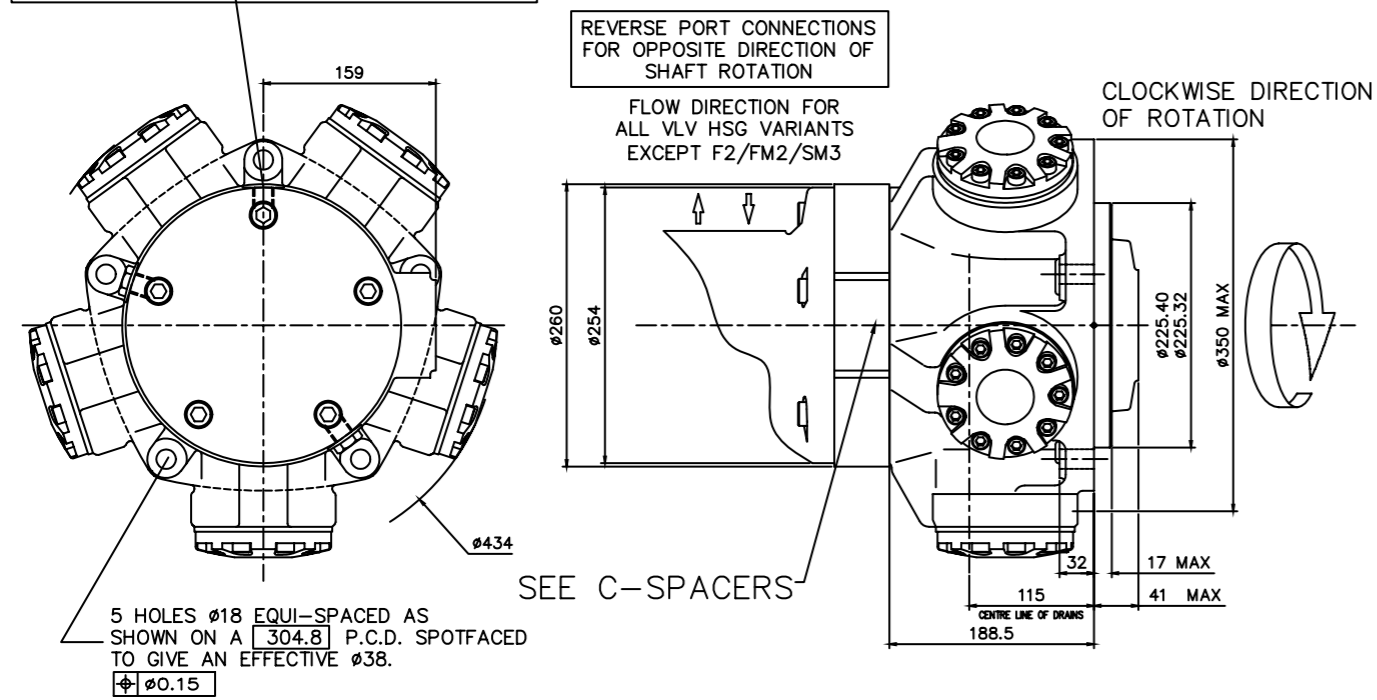
3-2 HMC045 (cont)

◆ Installation

3/4"-UNF-2B DRAIN (CHOICE OF 3 POSITIONS)
(2 NORMALLY PLUGGED)

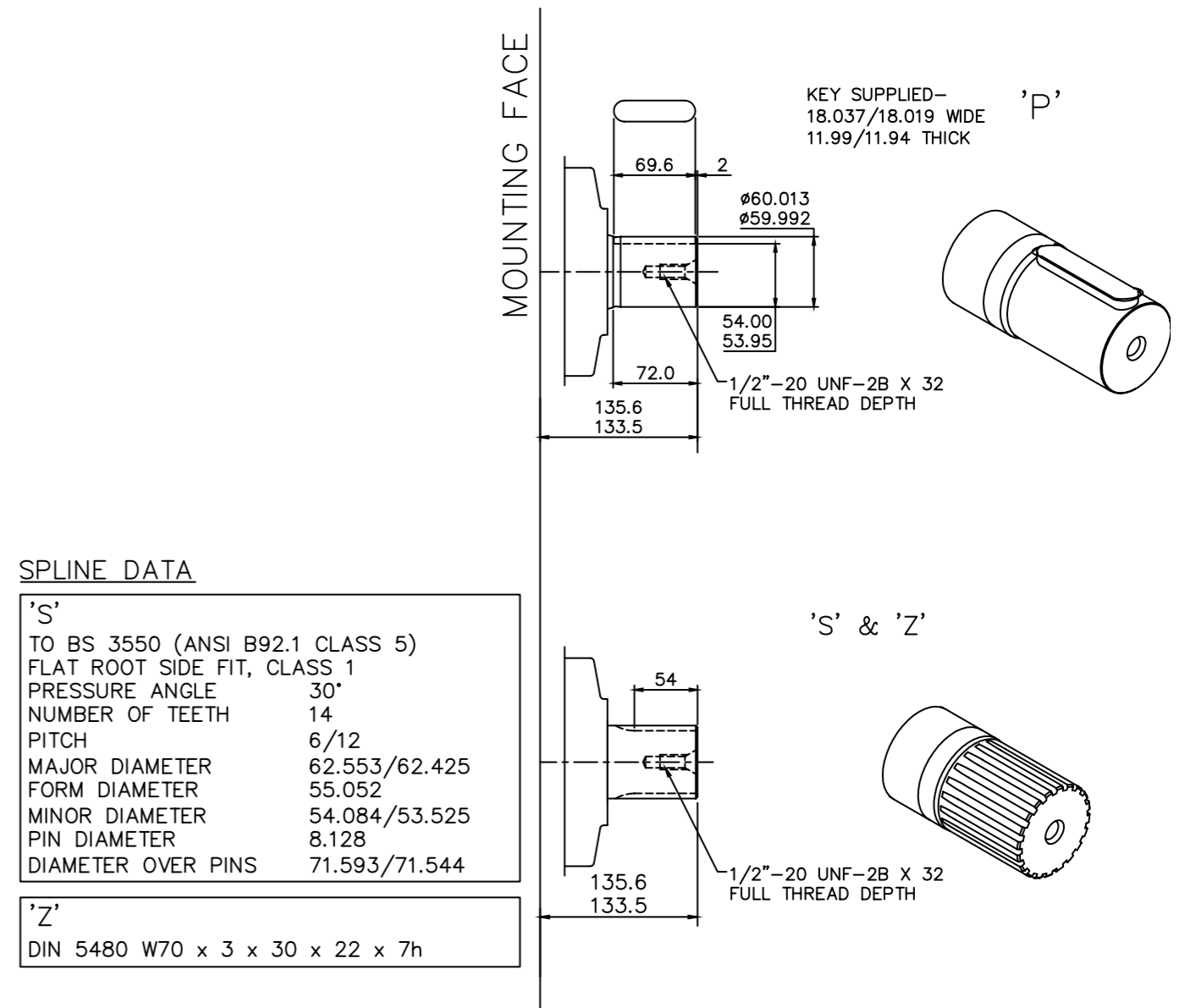
NOTE: - ENSURE ON INSTALLATION THAT DRAIN IS
TAKEN FROM ABOVE MOTOR CENTRELINE.

DO NOT EXCEED 12 DEPTH OF COUPLING
IN TO DRAIN PORT



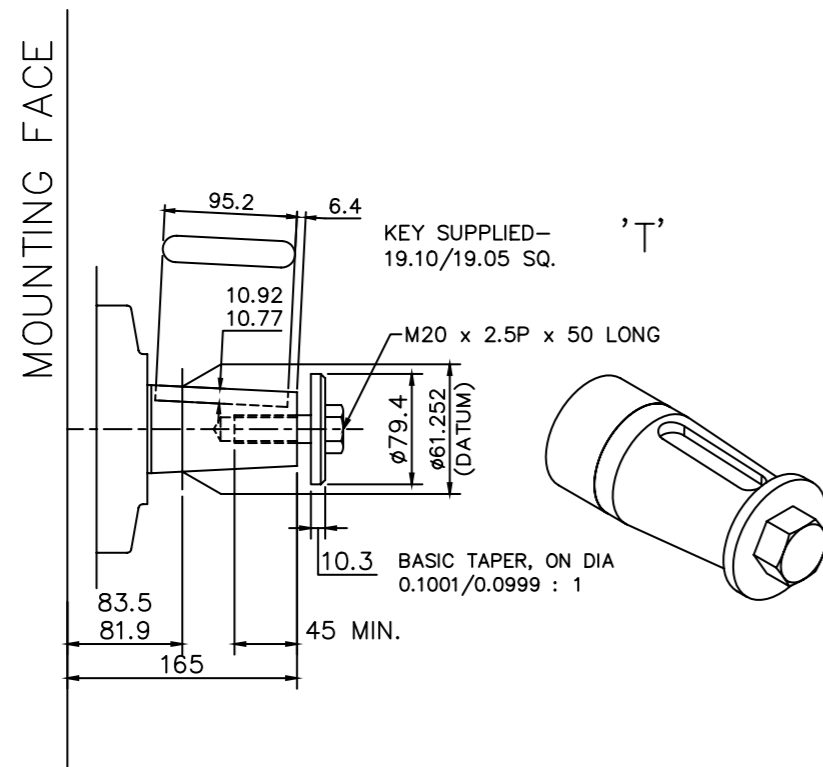
3-3 HMC080

◆ 'P', 'S' & 'Z' Shafts



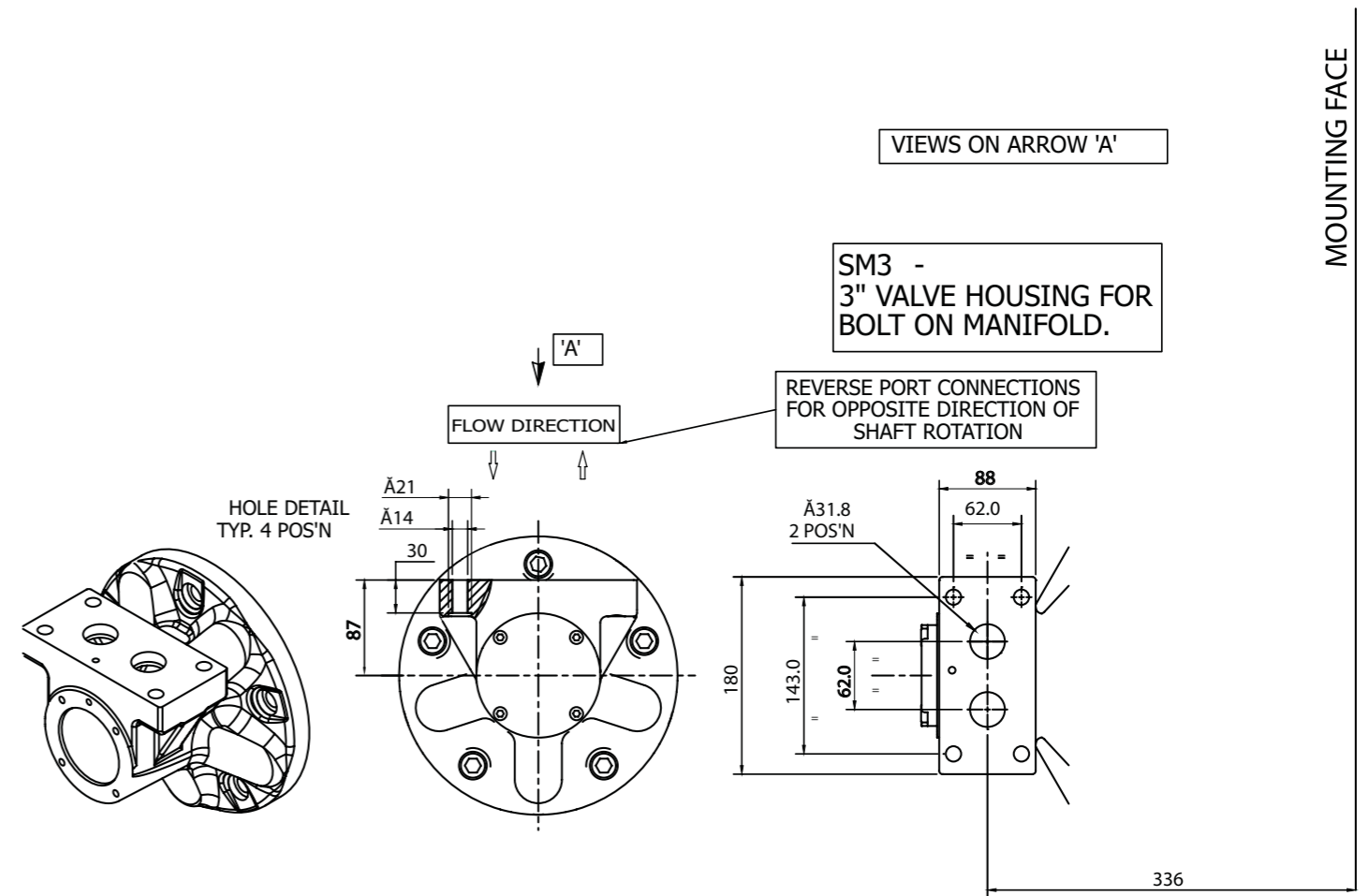
3-3 HMC080 (cont)

◆ 'T' Shaft



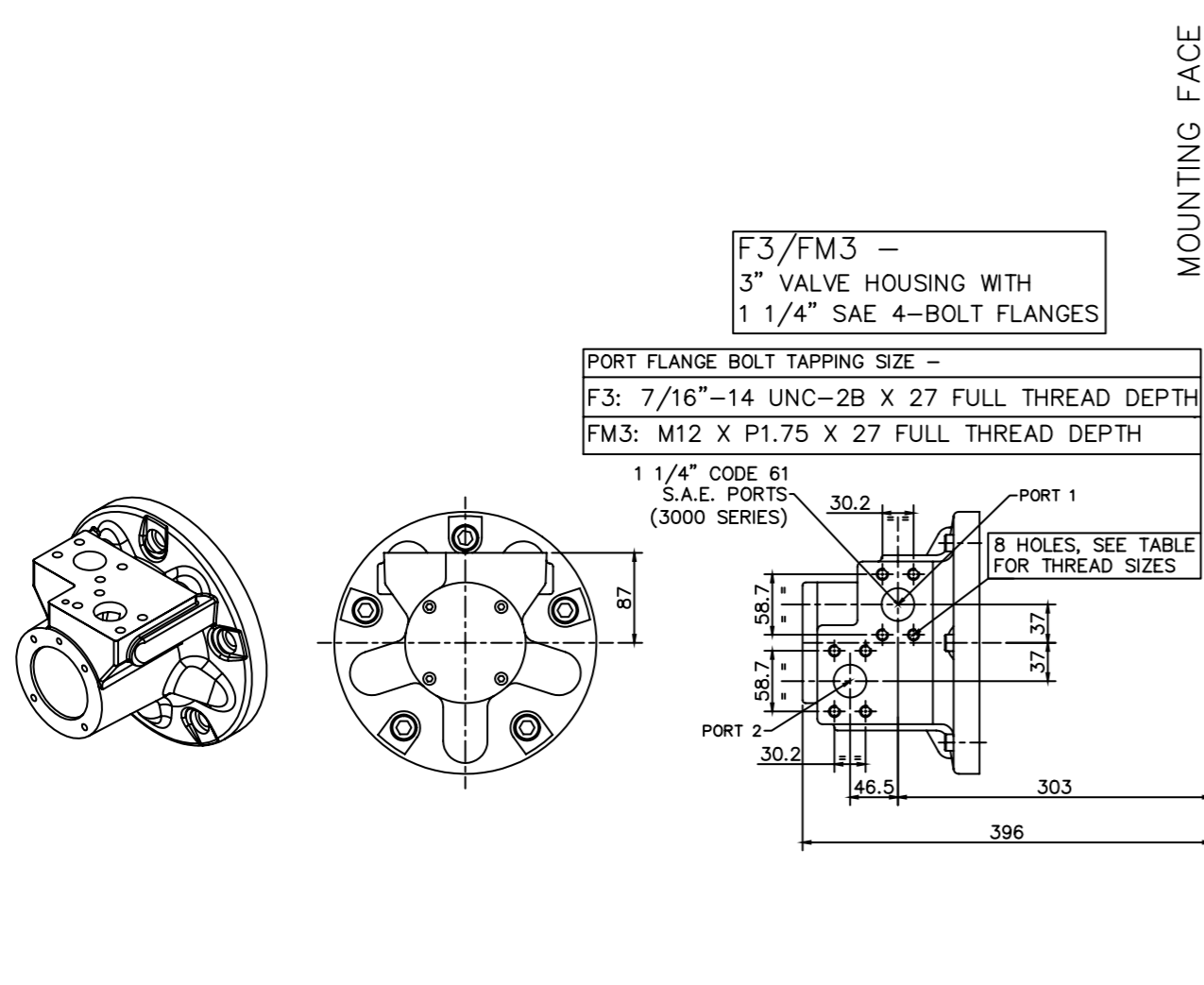
3-3 HMC080 (cont)

◆ 'SM3' Valve Housing



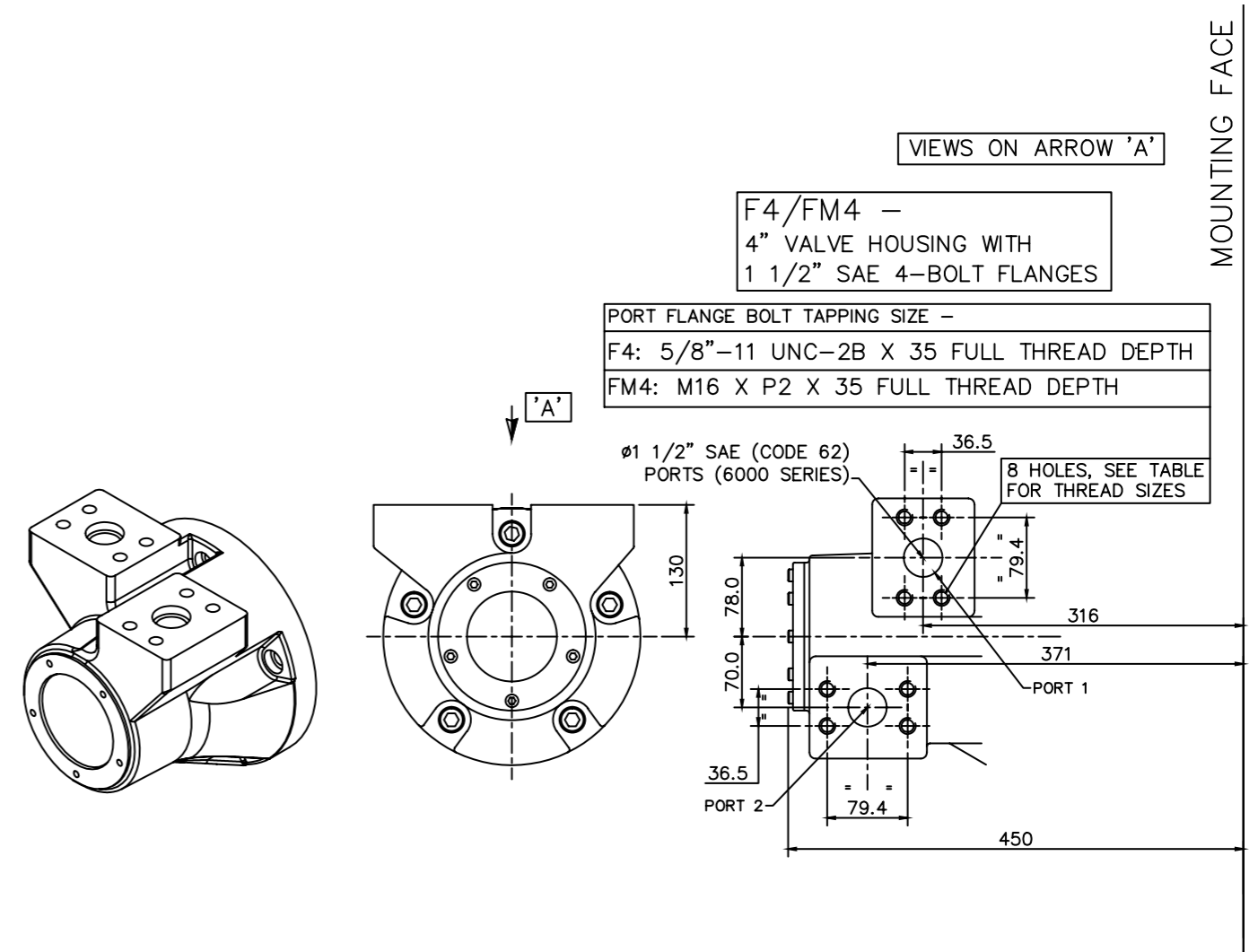
3-3 HMC080 (cont)

◆ 'F3' & 'FM3' Valve Housings



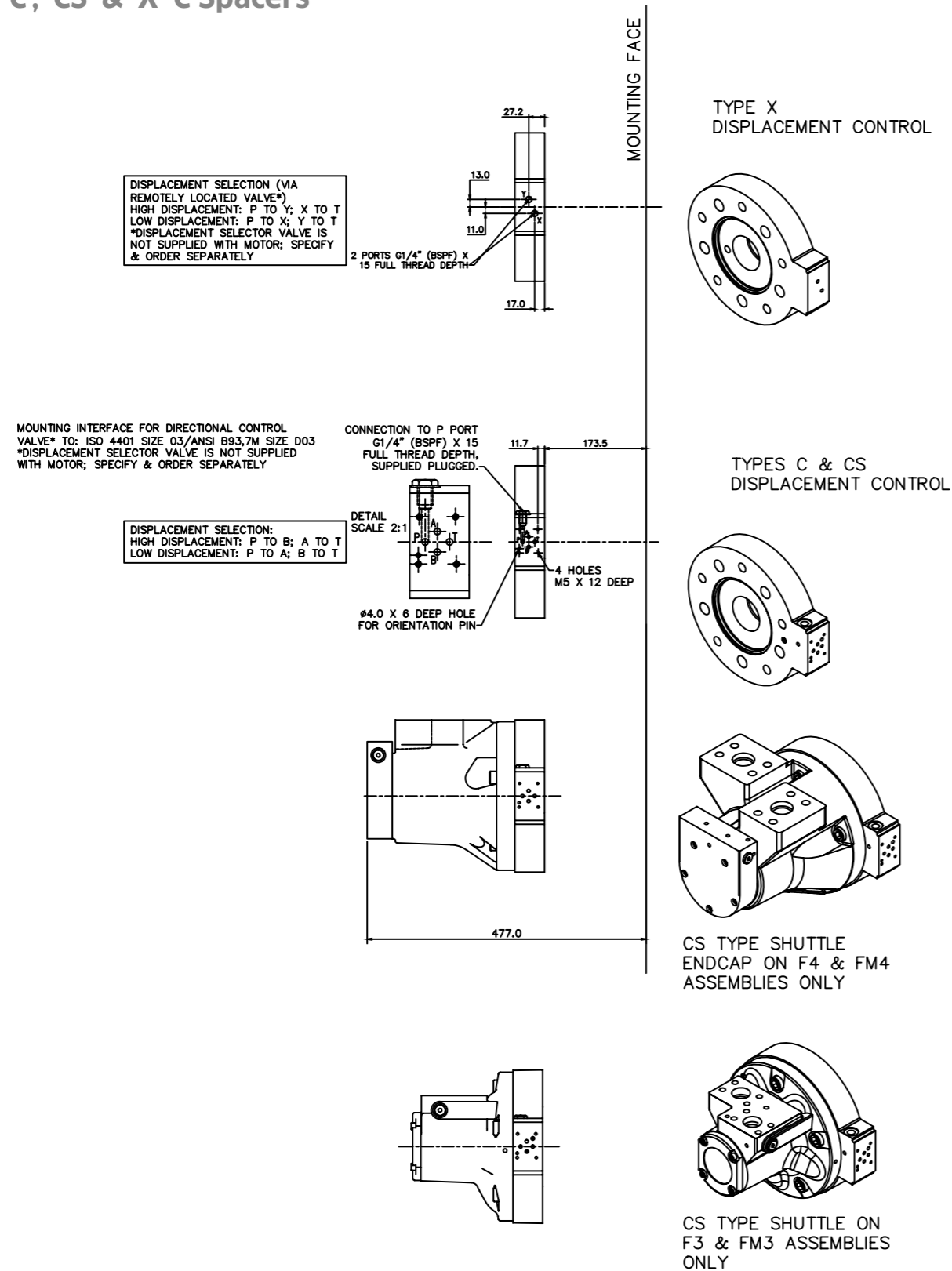
3-3 HMC080 (cont)

◆ 'F4' & 'FM4' Valve Housings



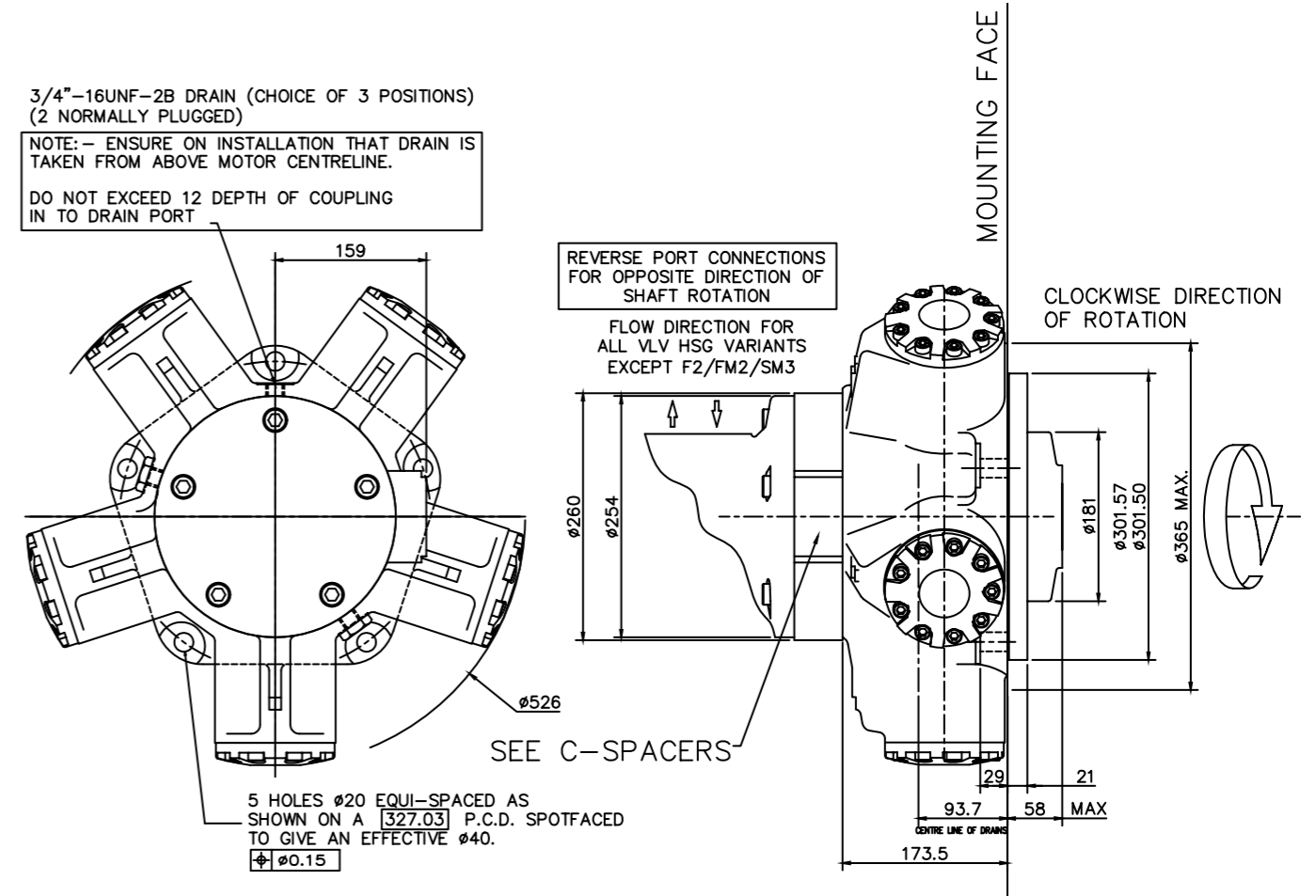
3-3 HMC080 (cont)

◆ 'C', 'CS' & 'X' C Spacers



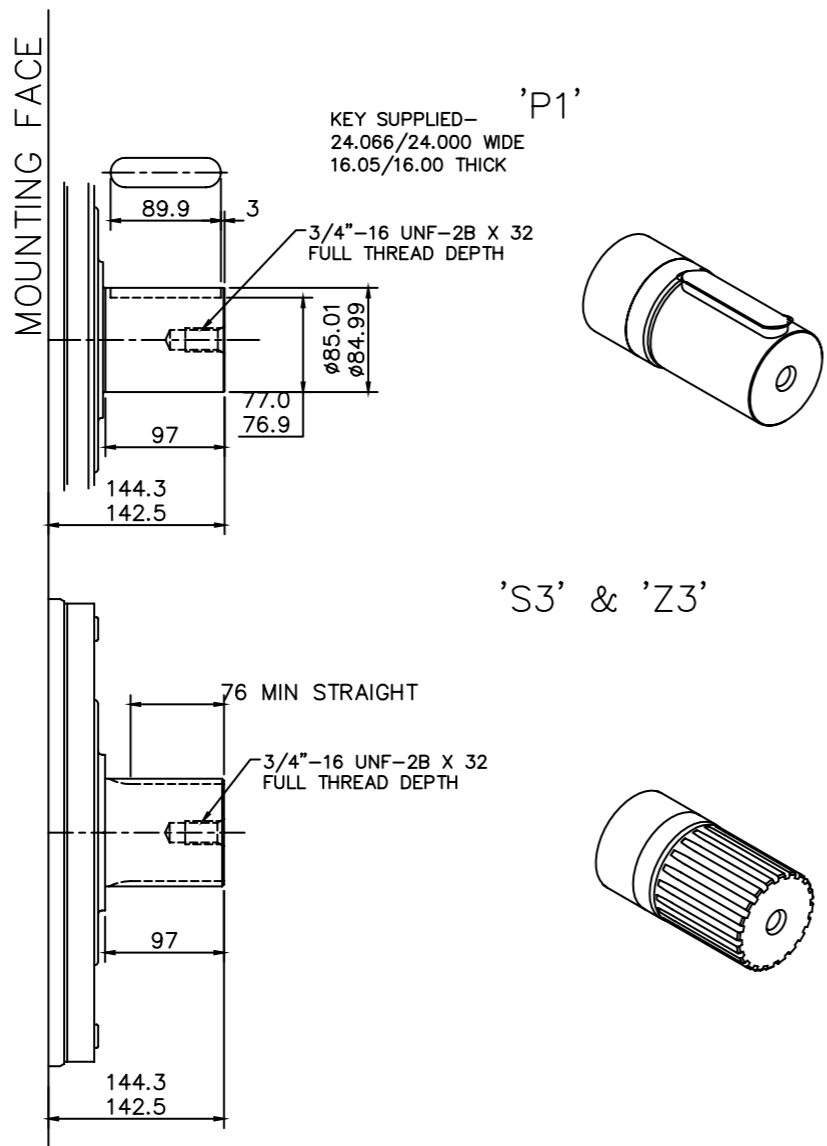
3-3 HMC080 (cont)

◆ Installation



3-4 HMC125

◆ 'P1', 'S3' & 'Z3' Shafts



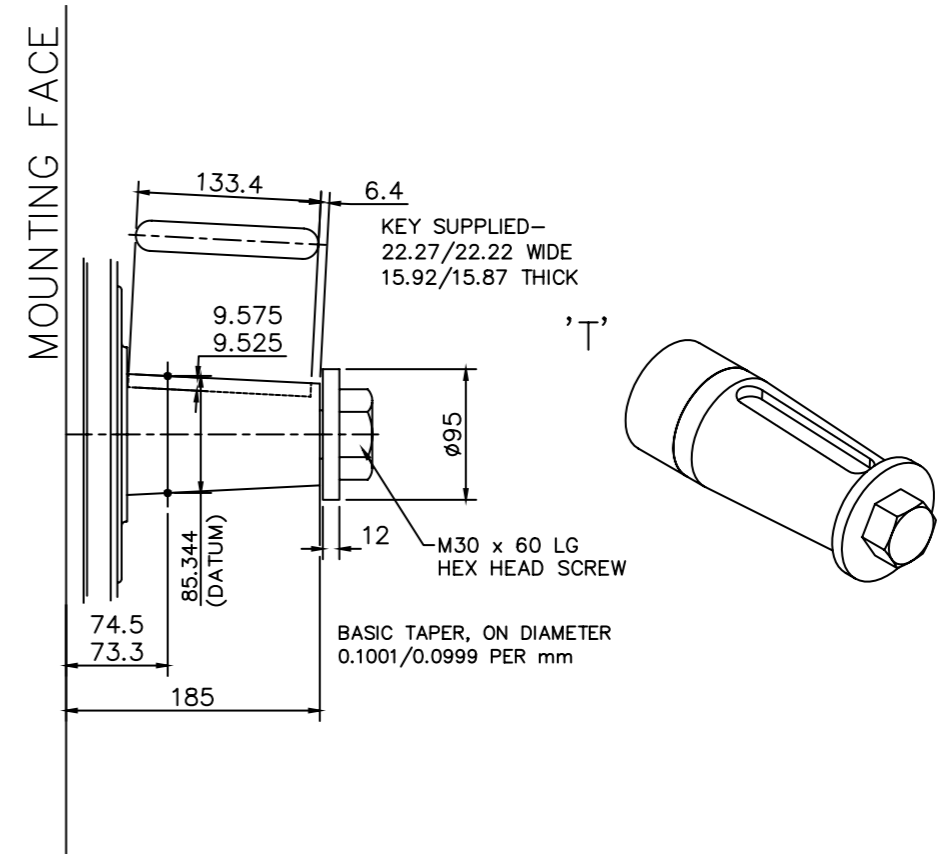
SPLINE DATA

'S'	
TO BS 3550 (ANSI B92.1, CLASS 5)	
FLAT ROOT SIDE FIT, CLASS 1	
PRESSURE ANGLE	30°
NUMBER OF TEETH	20
PITCH	6/12
MAJOR DIAMETER	87.953/87.825
FORM DIAMETER	80.264
MINOR DIAMETER	79.485/78.925
PIN DIAMETER	8.128
DIAMETER OVER PINS	97.084/97.030

'Z'	
DIN 5480 W85 x 3 x 27 x 7h	

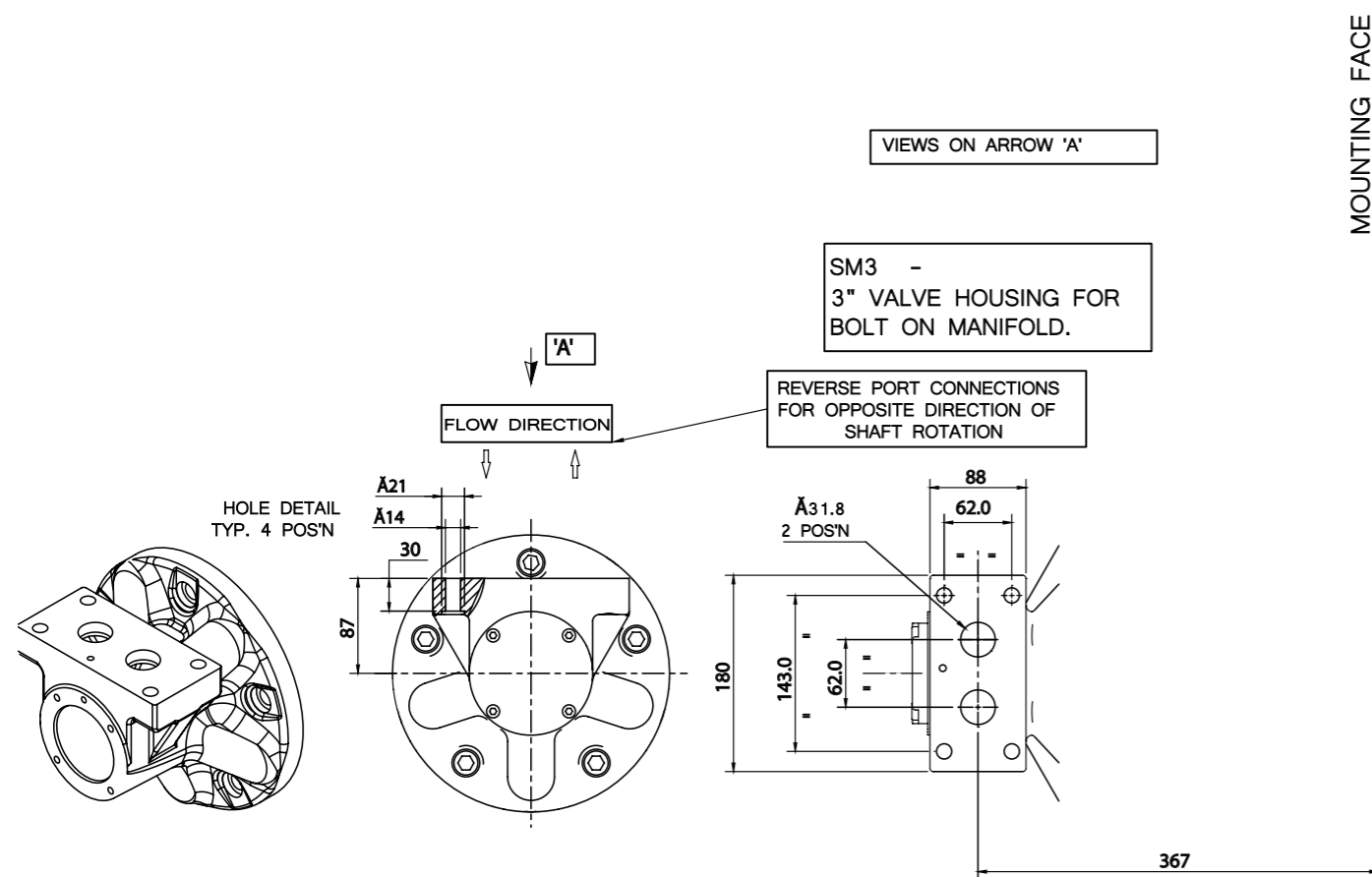
3-4 HMC125 (cont)

◆ 'T' Shaft



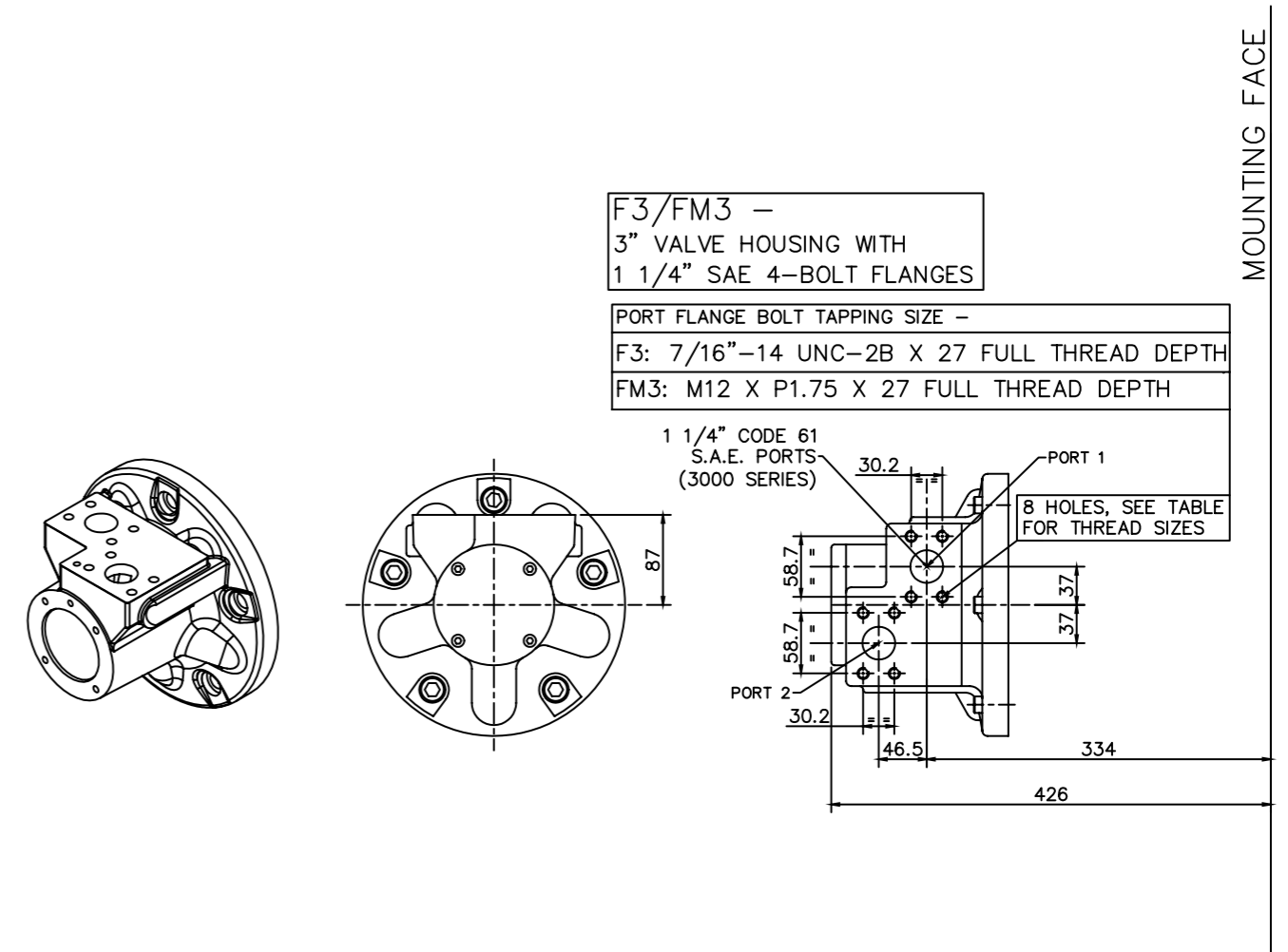
3-4 HMC125 (cont)

◆ 'SM3' Valve Housing



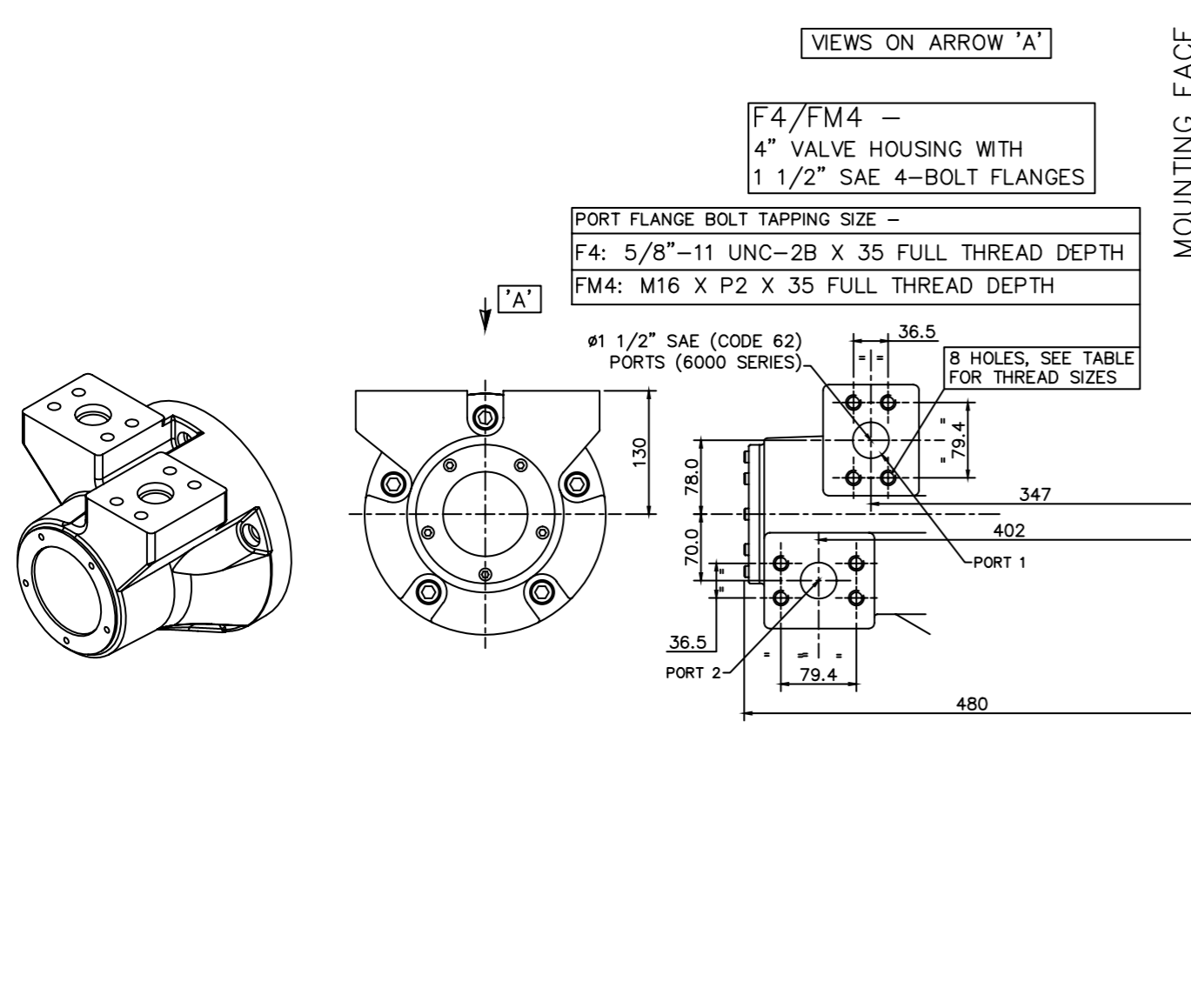
3-4 HMC125 (cont)

◆ 'F3' & 'FM3' Valve Housings



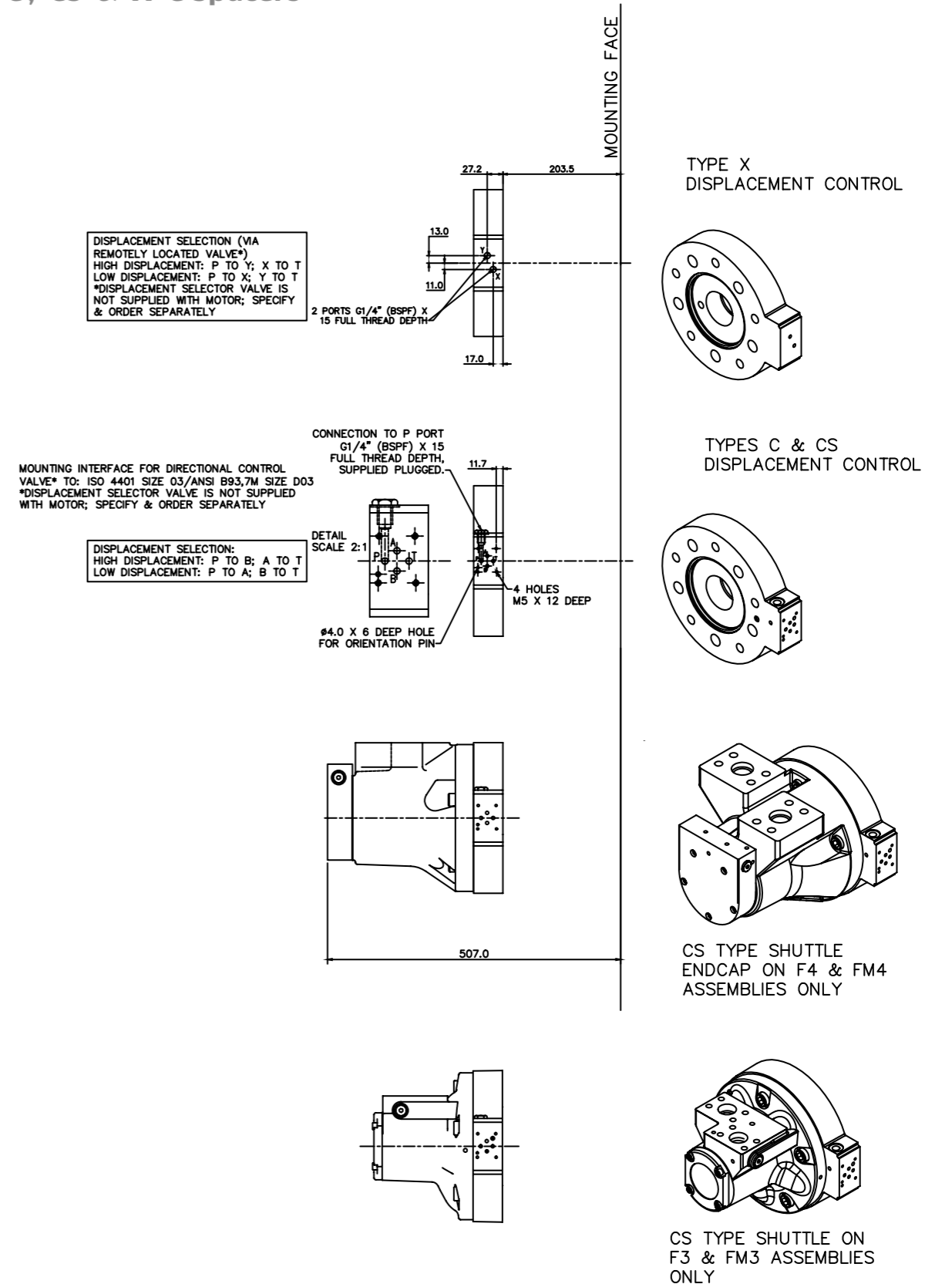
3-4 HMC125 (cont)

◆ 'F4' & 'FM4' Valve Housings



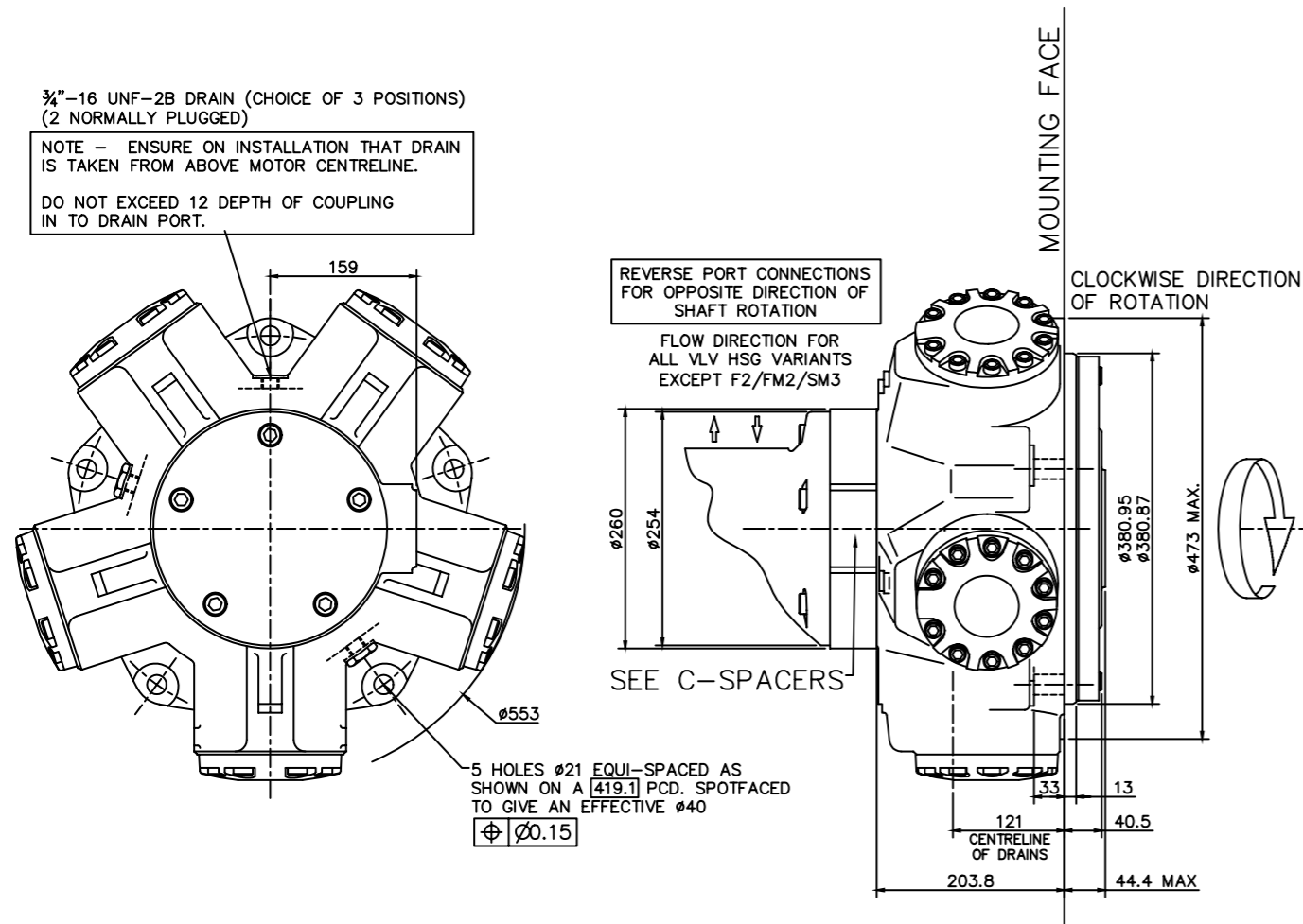
3-4 HMC125 (cont)

◆ 'C', 'CS' & 'X' C Spacers



3-4 HMC125 (cont)

◆ Installation



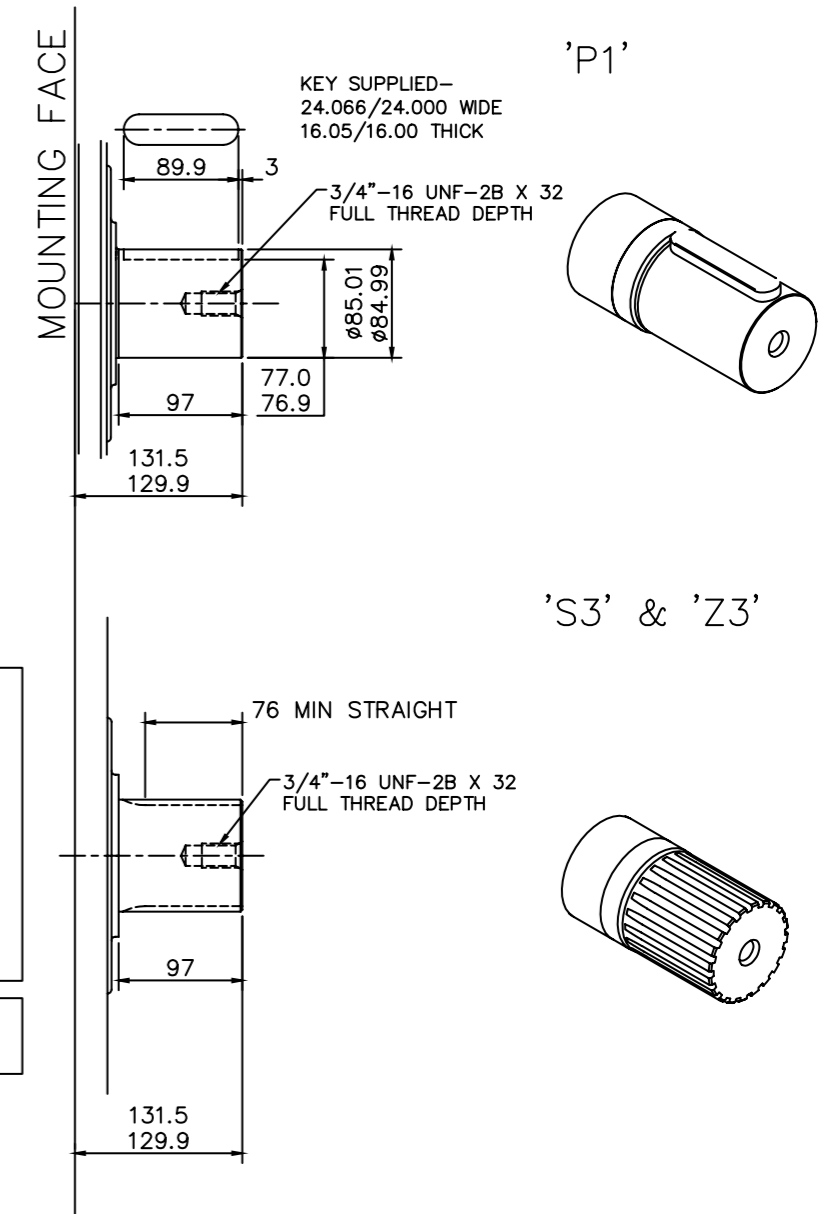
3-5 HMC200

◆ 'P1', 'S3' & 'Z3' Shafts

SPLINE DATA

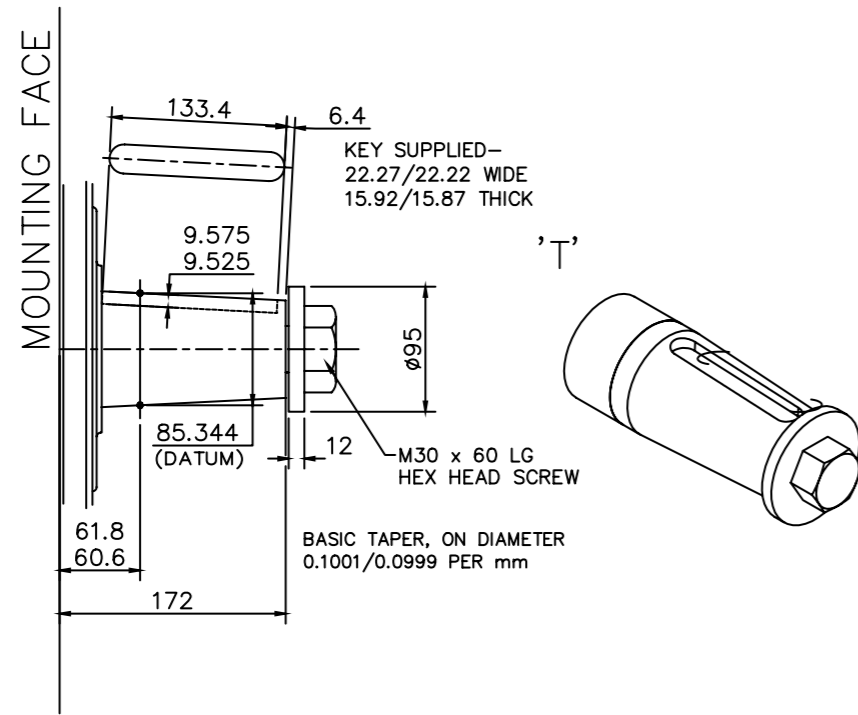
'S'	TO BS 3550 (ANSI B92.1, CLASS 5)
	FLAT ROOT SIDE FIT, CLASS 1
	PRESSURE ANGLE 30°
	NUMBER OF TEETH 20
	PITCH 6/12
	MAJOR DIAMETER 87.953/87.825
	FORM DIAMETER 80.264
	MINOR DIAMETER 79.485/78.925
	PIN DIAMETER 8.128
	DIAMETER OVER PINS 97.084/97.030

'Z'	DIN 5480 W85 x 3 x 27 x 7h
-----	----------------------------



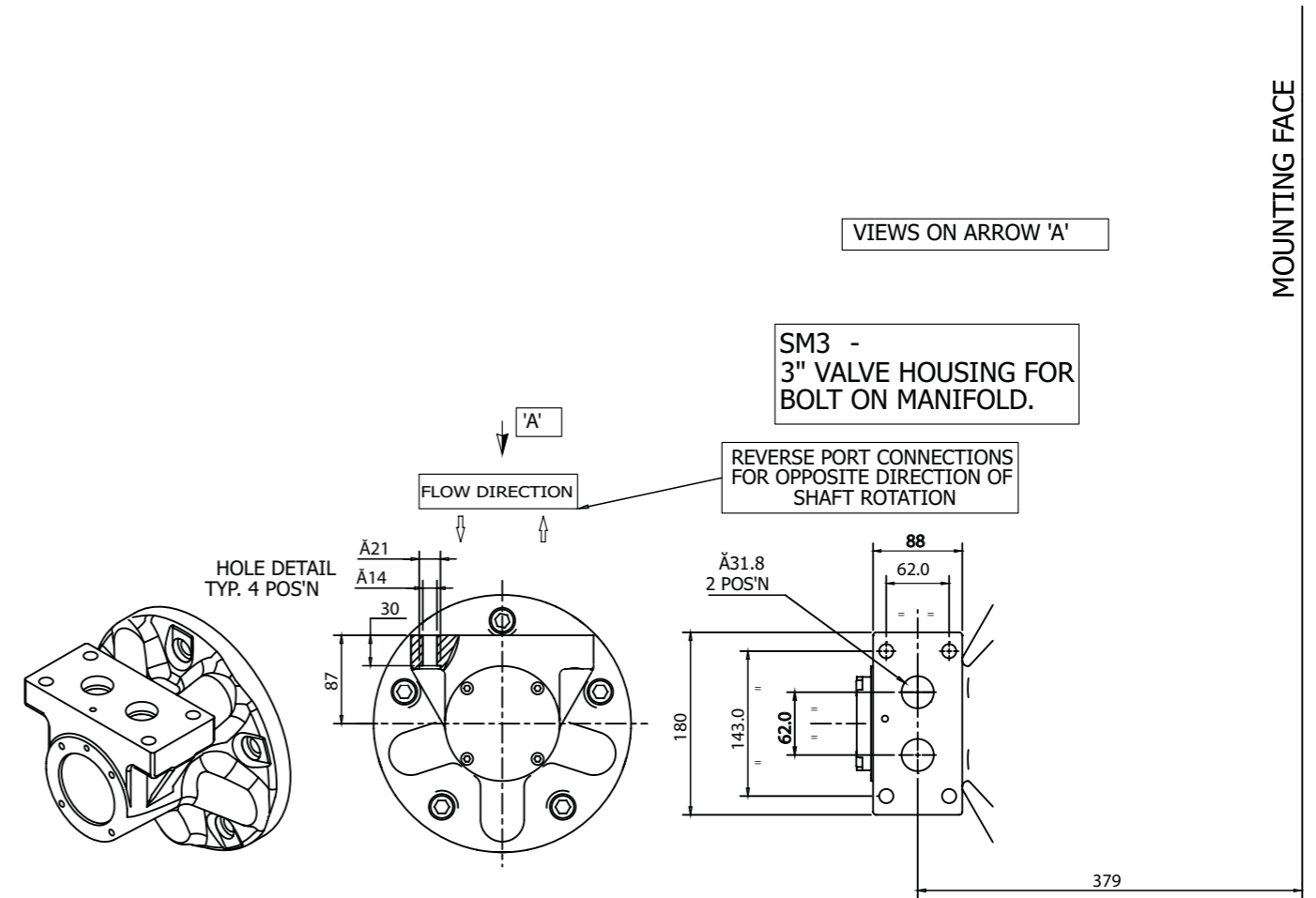
3-5 HMC200 (cont)

◆ 'T' Shaft



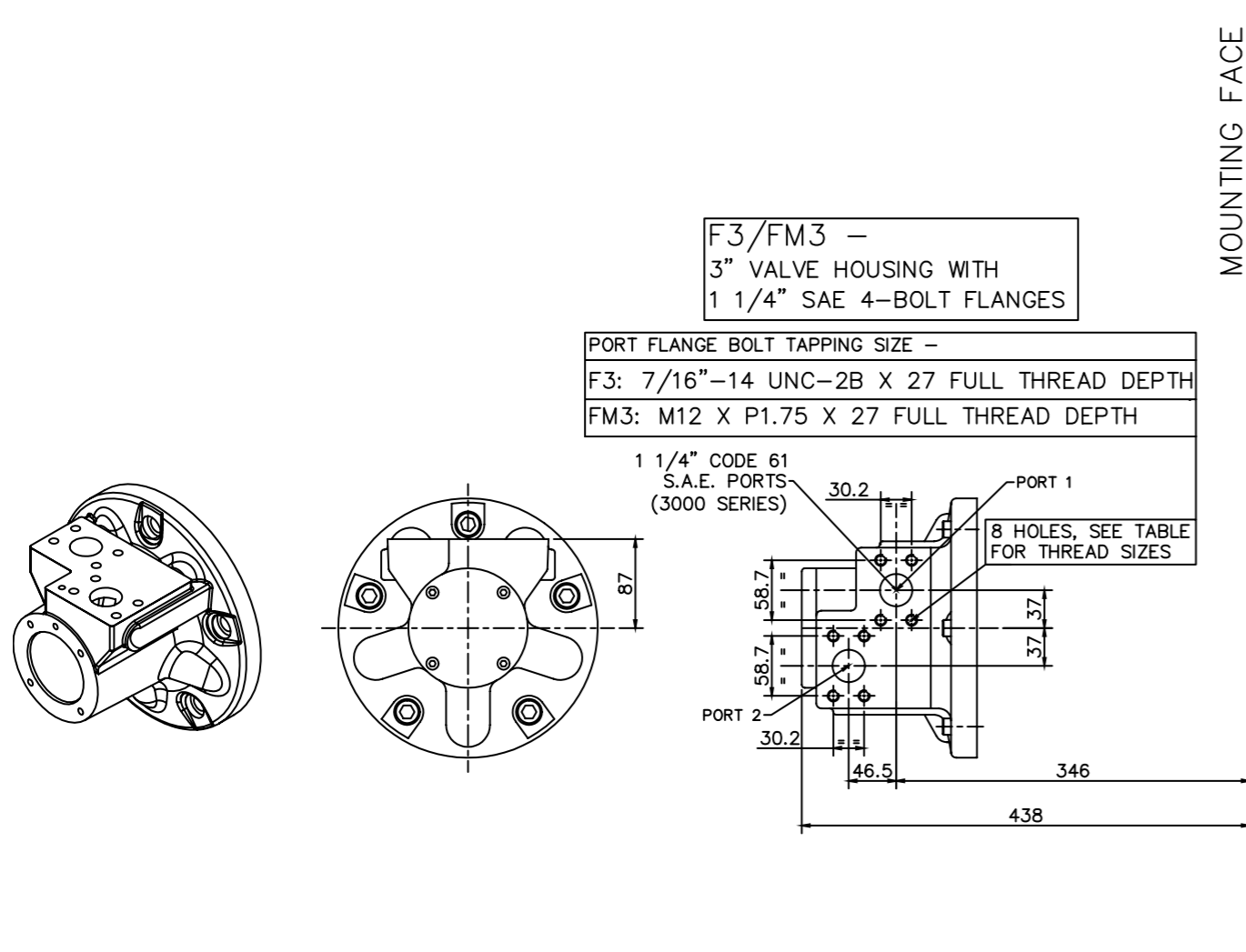
3-5 HMC200 (cont)

◆ 'SM3' Valve Housing



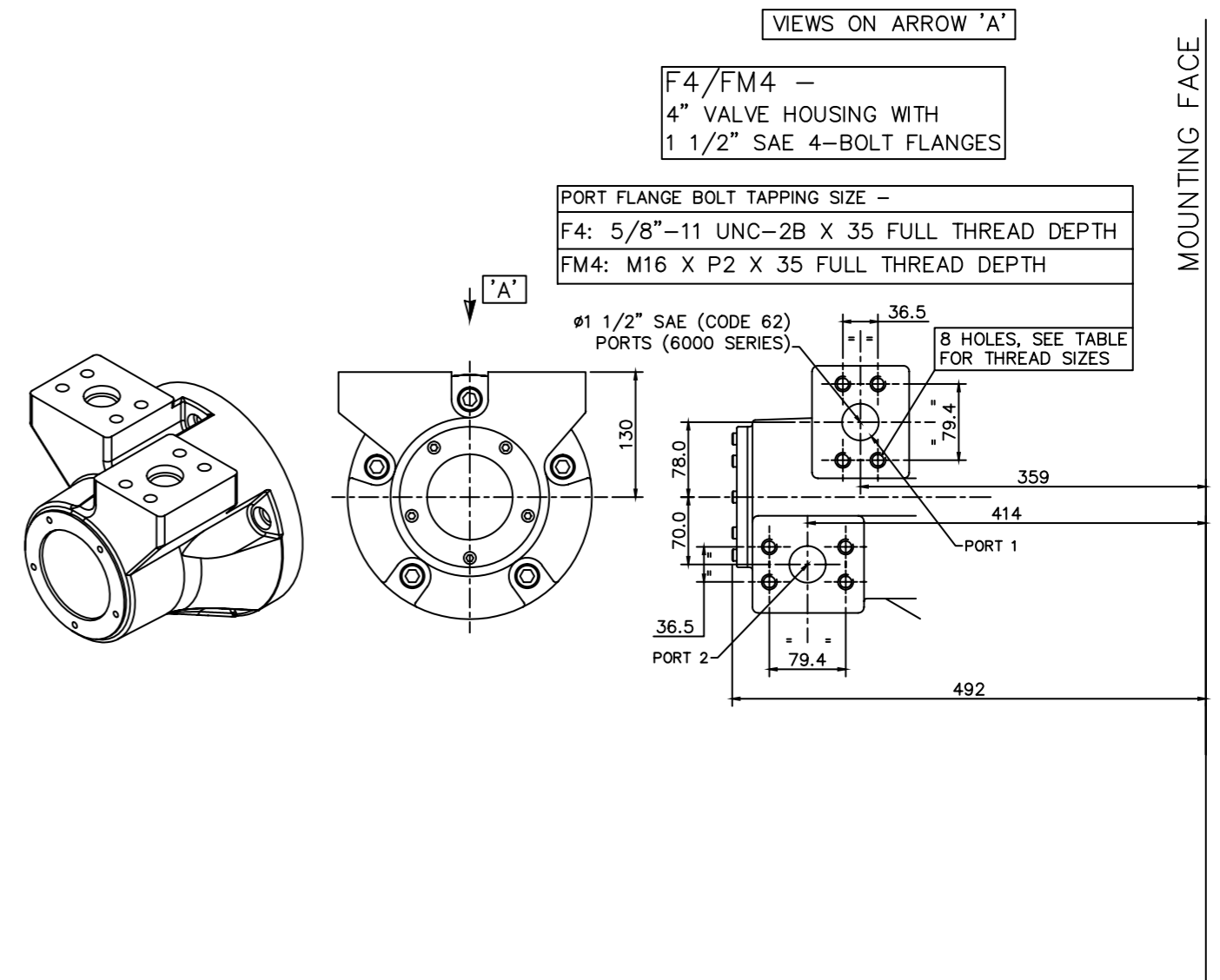
3-5 HMC200 (cont)

◆ 'F3' & 'FM3' Valve Housings



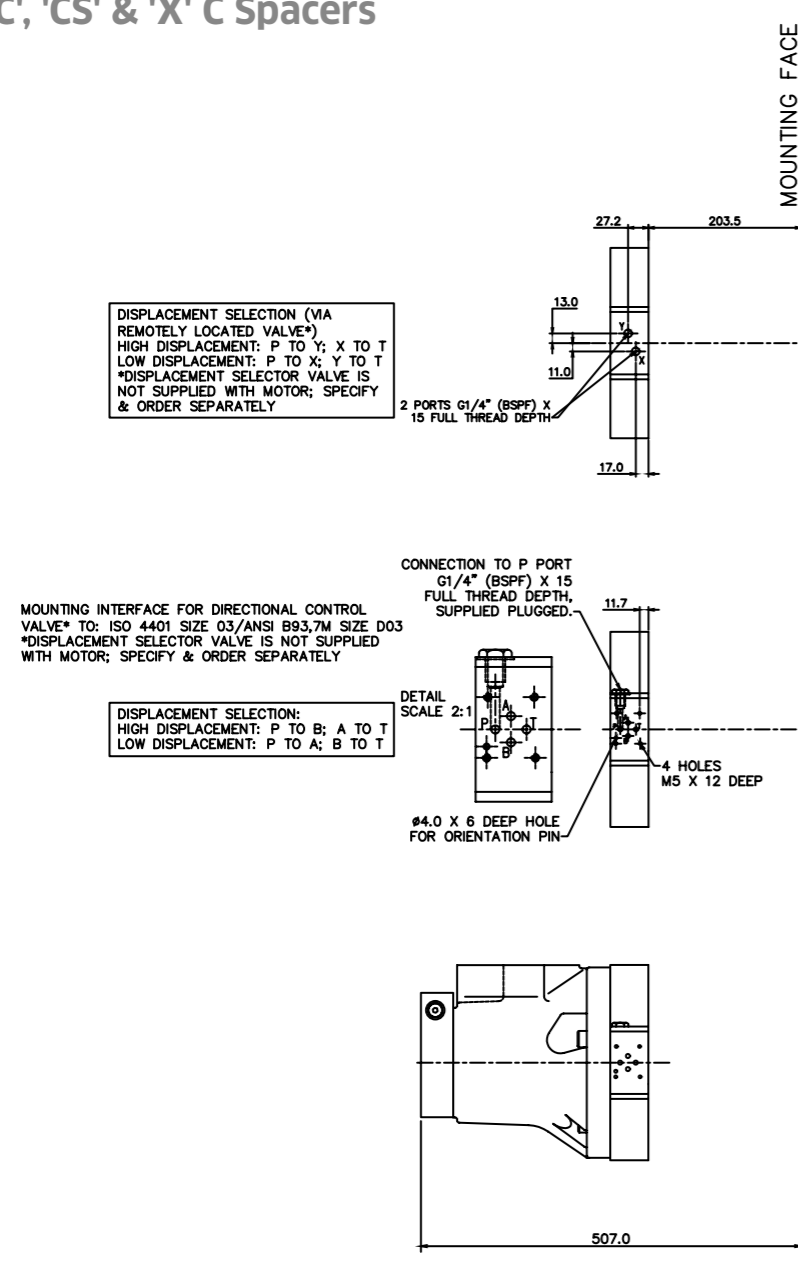
3-5 HMC200 (cont)

◆ 'F4' & 'FM4' Valve Housings

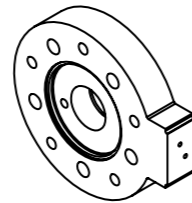


3-5 HMC200 (cont)

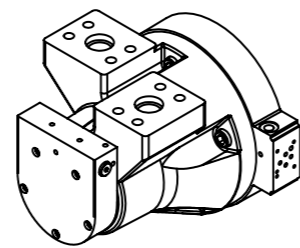
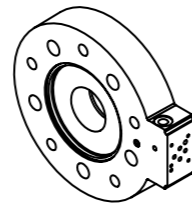
◆ 'C', 'CS' & 'X' C Spacers



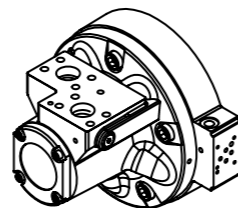
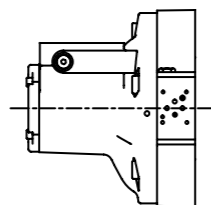
TYPE X DISPLACEMENT CONTROL



TYPES C & CS DISPLACEMENT CONTROL



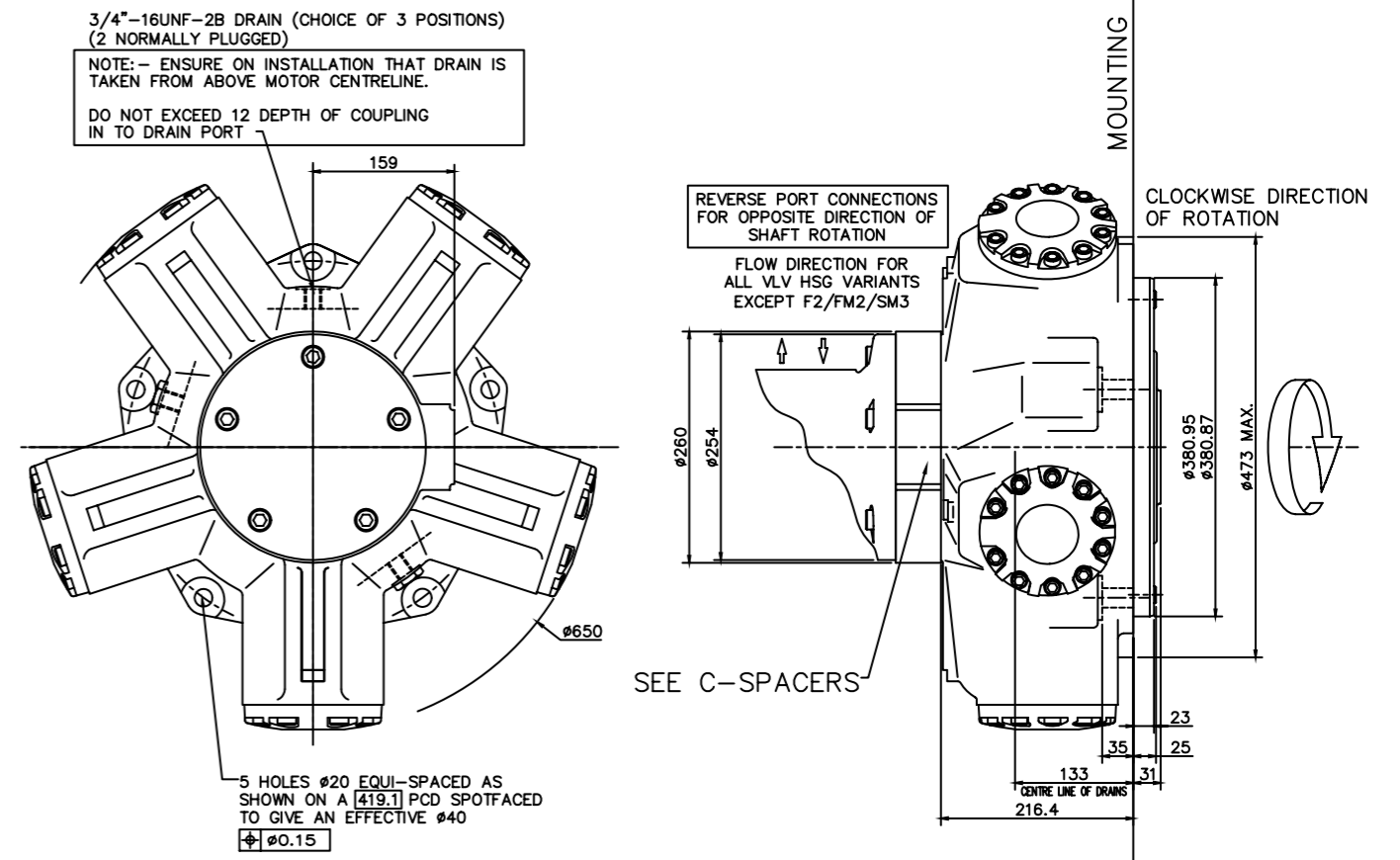
CS TYPE SHUTTLE ENDCAP ON F4 & FM4 ASSEMBLIES ONLY



CS TYPE SHUTTLE ON F3 & FM3 ASSEMBLIES ONLY

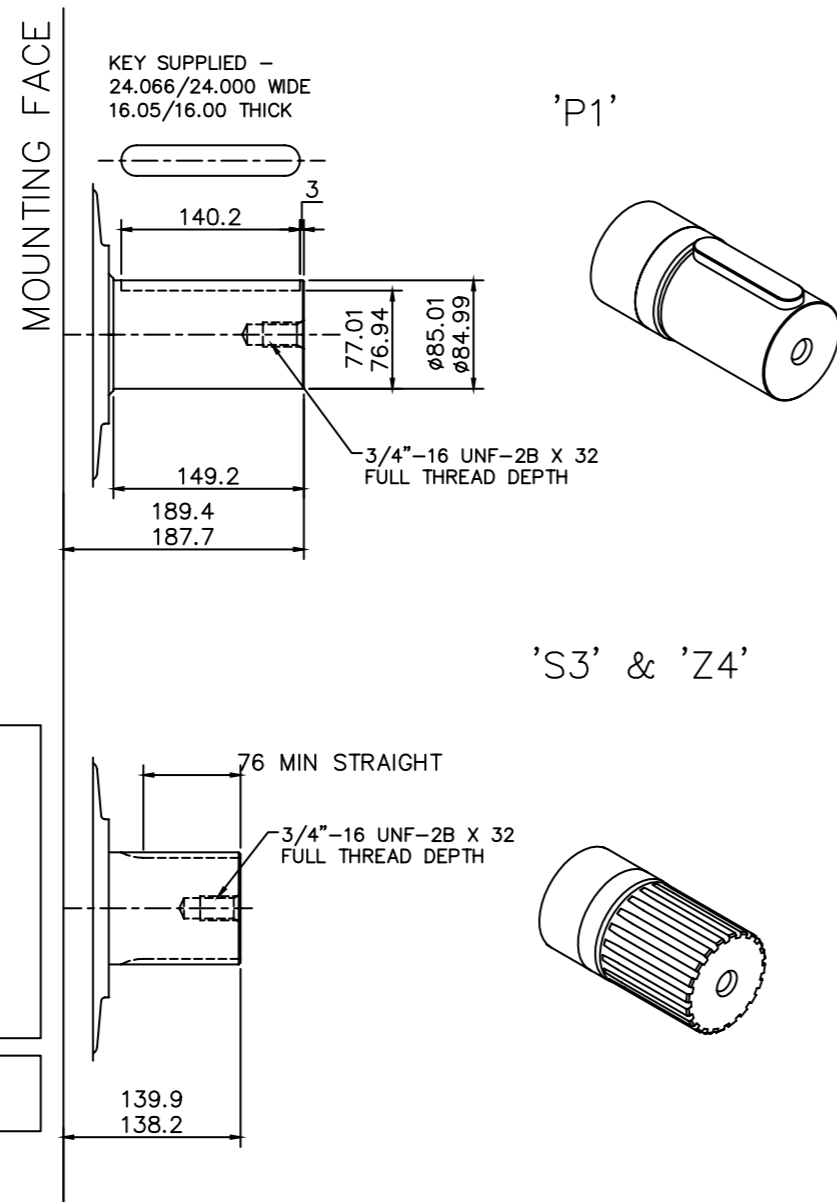
3-5 HMC200 (cont)

◆ Installation



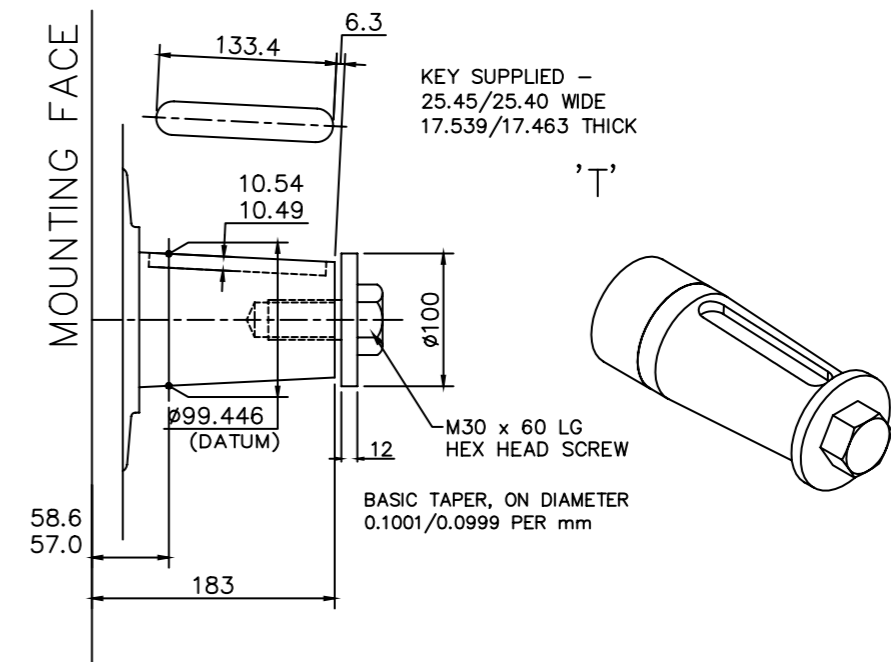
3-6 HMC270

◆ 'P1', 'S3' & 'Z4' Shafts



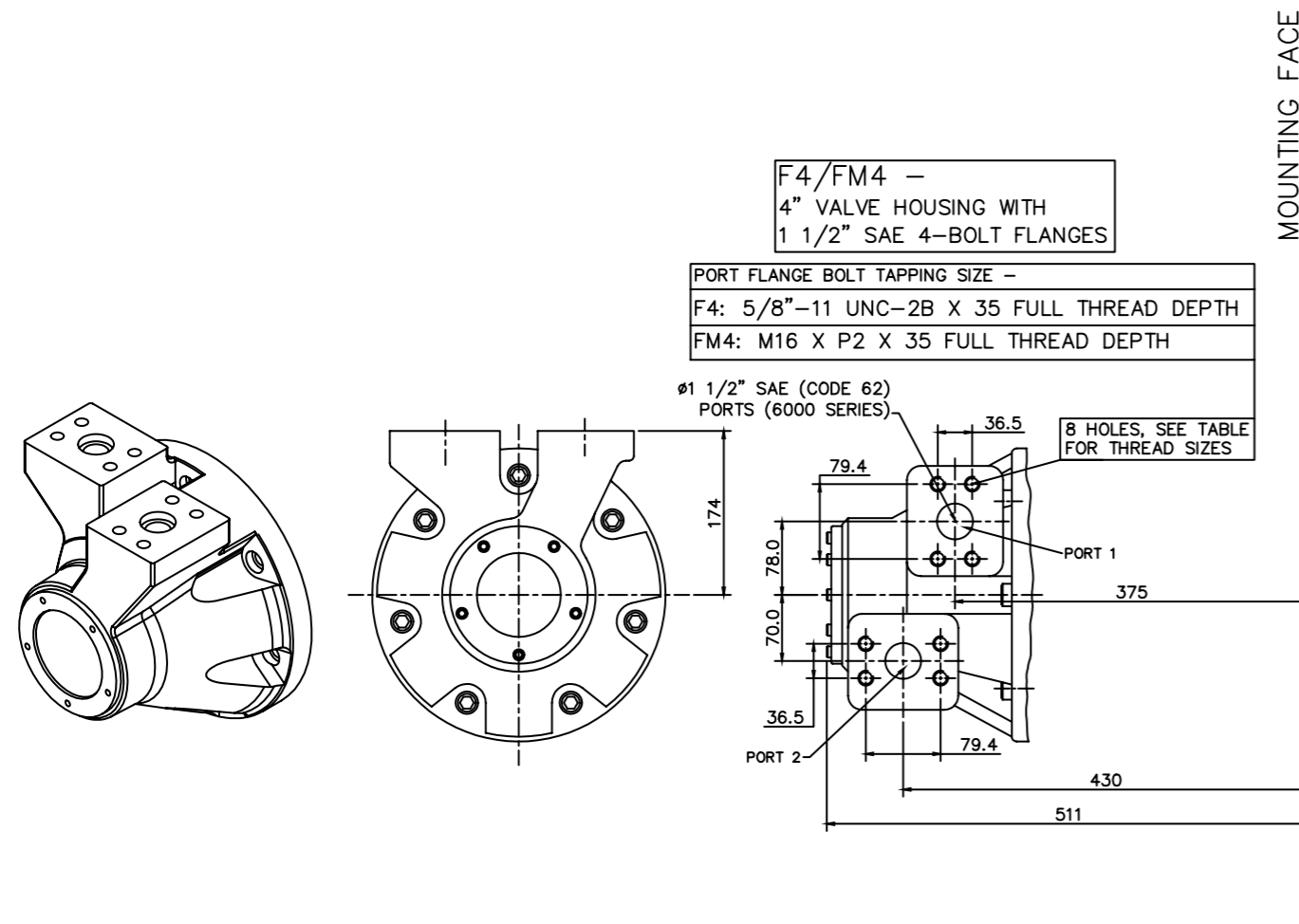
3-6 HMC270 (cont)

◆ 'T' Shaft



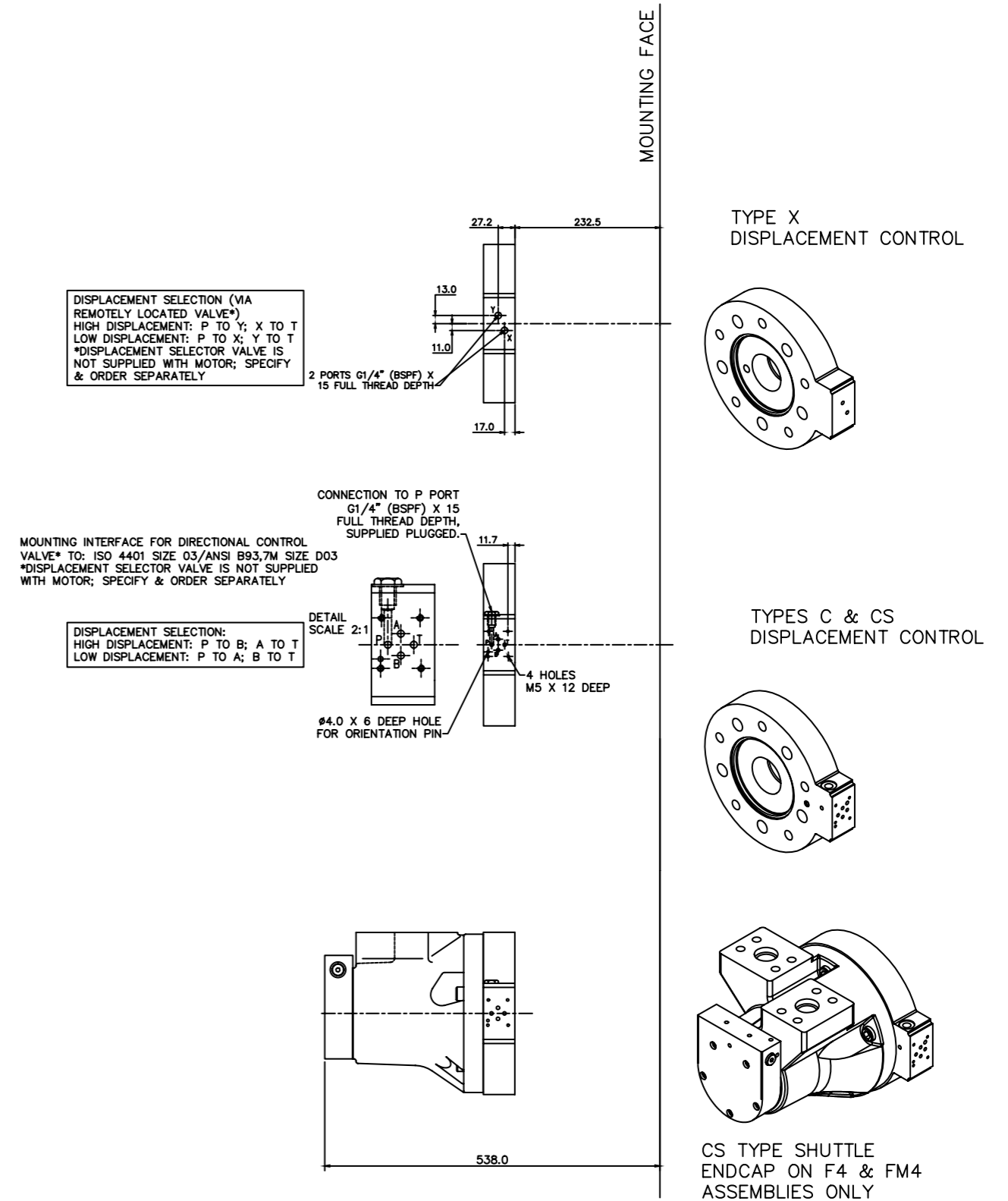
3-6 HMC270 (cont)

◆ 'F4' & 'FM4' Valve Housings



3-6 HMC270 (cont)

◆ 'C', 'CS' & 'X' C Spacers



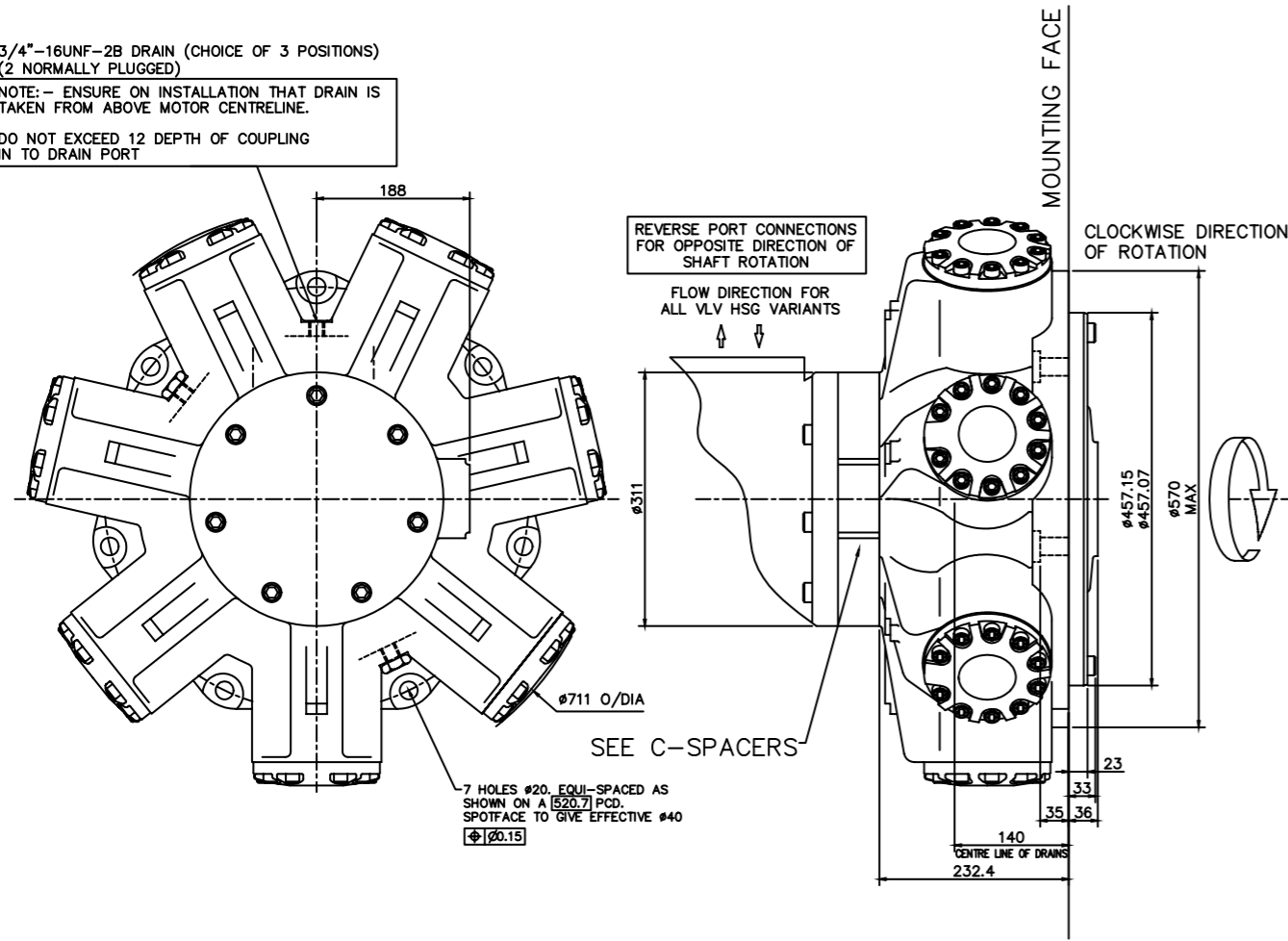
3-6 HMC270 (cont)

◆ Installation

3/4"-16UNF-2B DRAIN (CHOICE OF 3 POSITIONS)
(2 NORMALLY PLUGGED)

NOTE: - ENSURE ON INSTALLATION THAT DRAIN IS
TAKEN FROM ABOVE MOTOR CENTRELINE.

DO NOT EXCEED 12 DEPTH OF COUPLING
IN TO DRAIN PORT

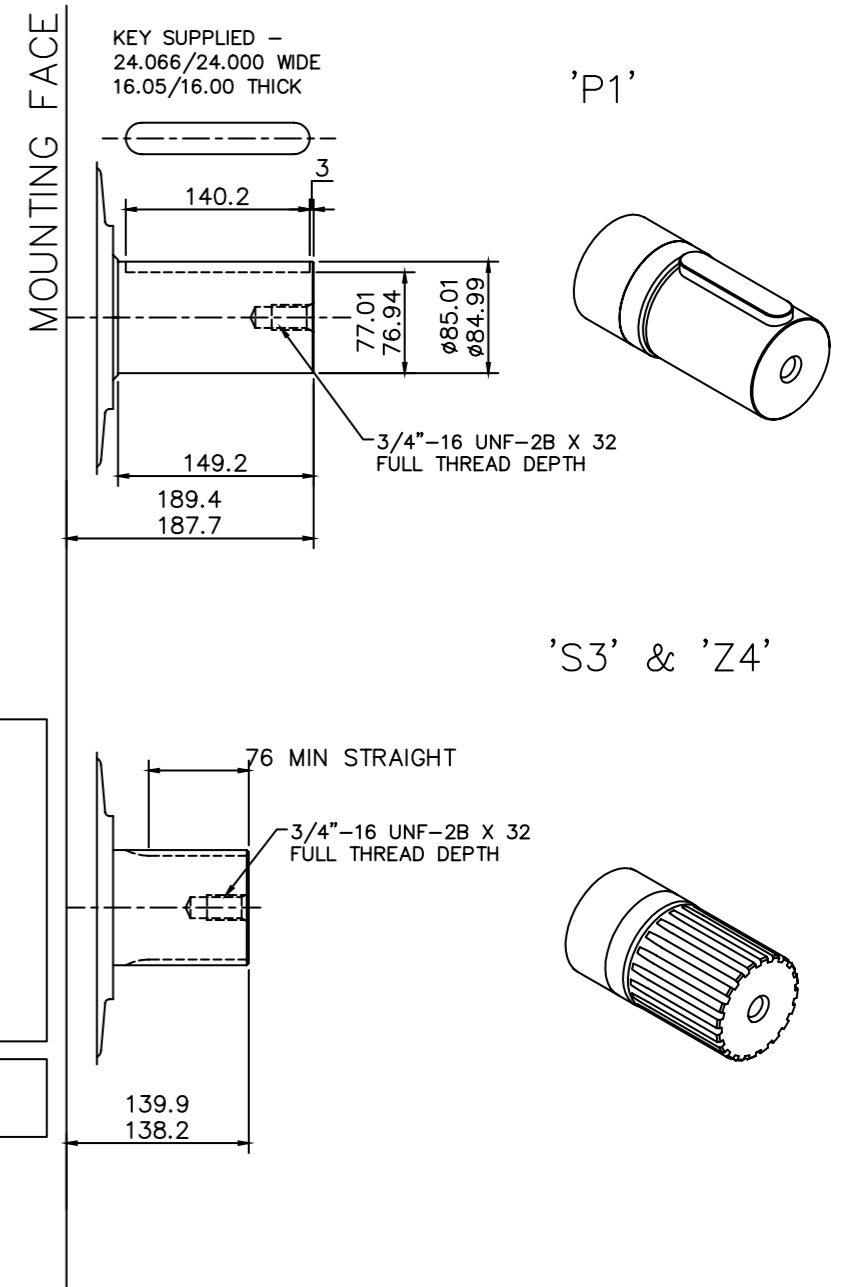


3-7 HMC325

◆ 'P1', 'S3' & 'Z4' Shafts

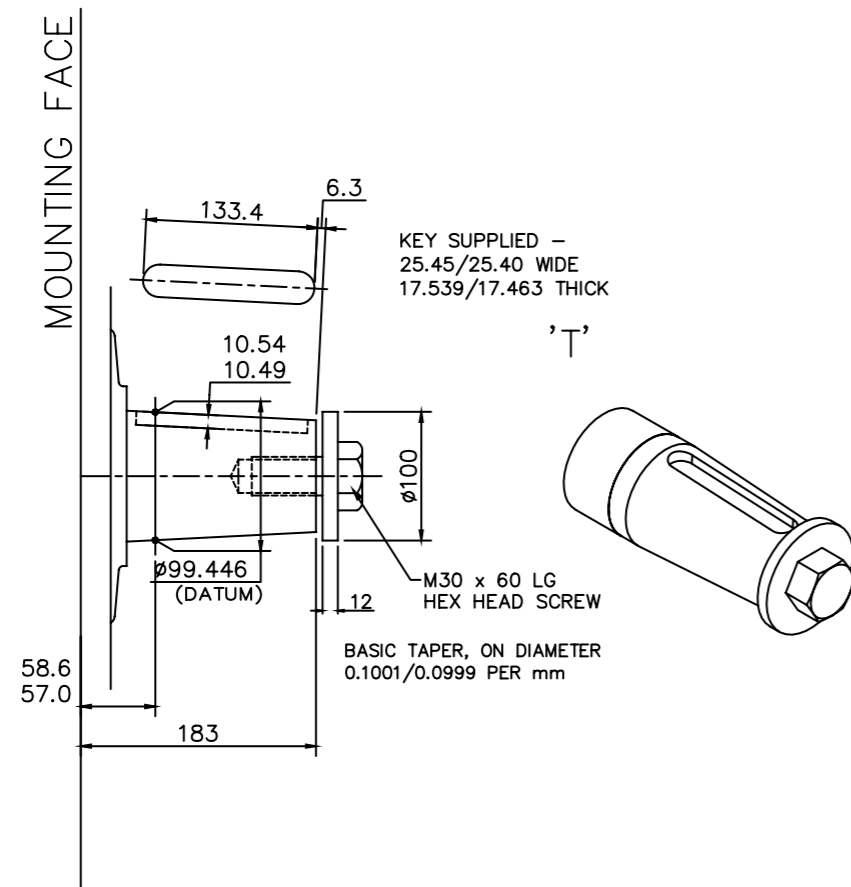
SPLINE DATA

'S'	
TO BS 3550 (ANSI B92.1, CLASS 5)	
FLAT ROOT SIDE FIT, CLASS 1	
PRESSURE ANGLE	30°
NUMBER OF TEETH	20
PITCH	6/12
MAJOR DIAMETER	87.953/87.825
FORM DIAMETER	80.264
MINOR DIAMETER	79.485/78.925
PIN DIAMETER	8.128
DIAMETER OVER PINS	97.084/97.030
'Z'	
DIN 5480 W90 x 4 x 21 x 7h	



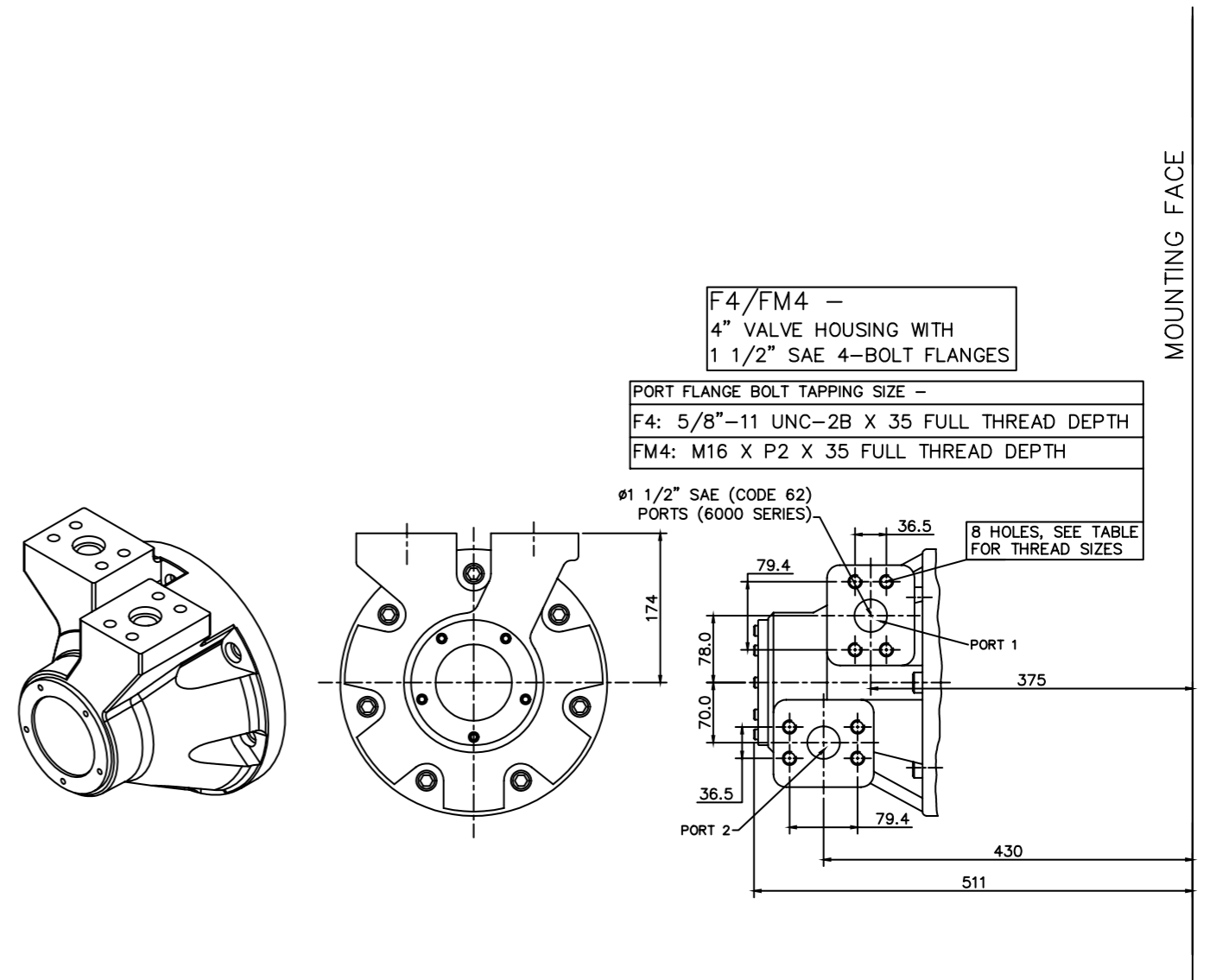
3-7 HMC325 (cont)

◆ 'T' Shaft



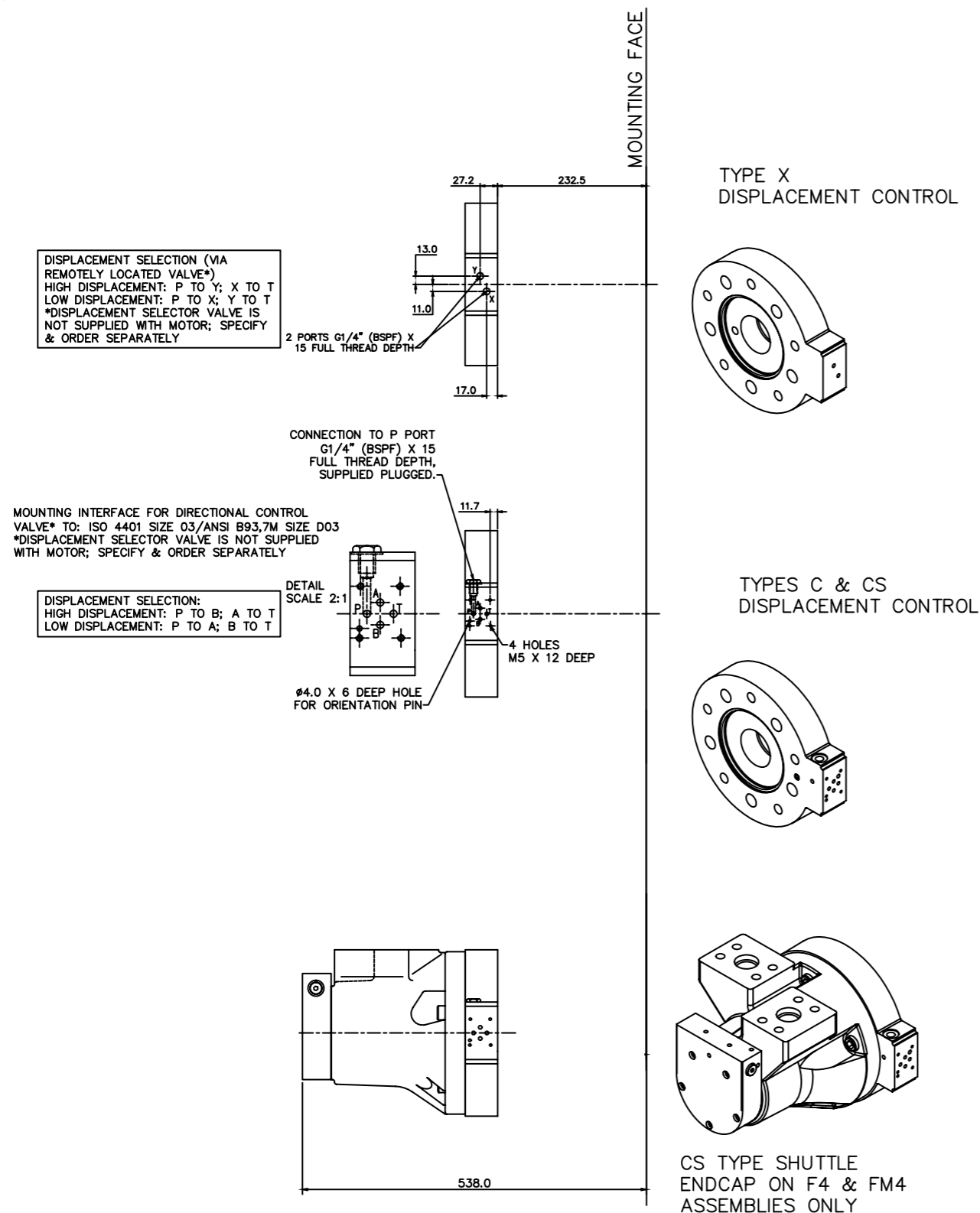
3-7 HMC325 (cont)

◆ 'F4' & 'FM4' Valve Housings



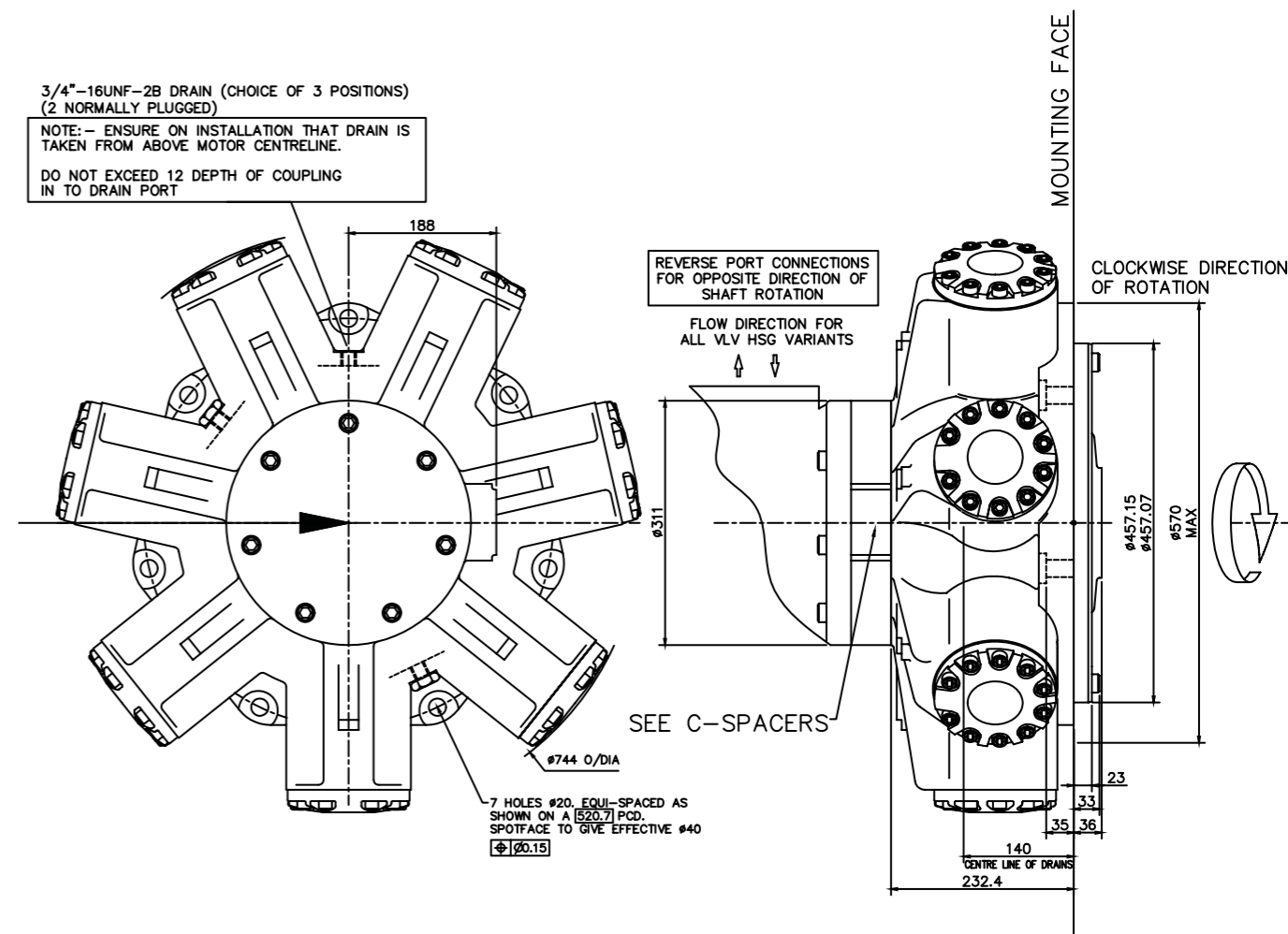
3-7 HMC325 (cont)

◆ 'C', 'CS' & 'X' C Spacers



3-7 HMC325 (cont)

◆ Installation



3-12 Speed Sensing Options

◆ Tj speed sensor with Tk readout option

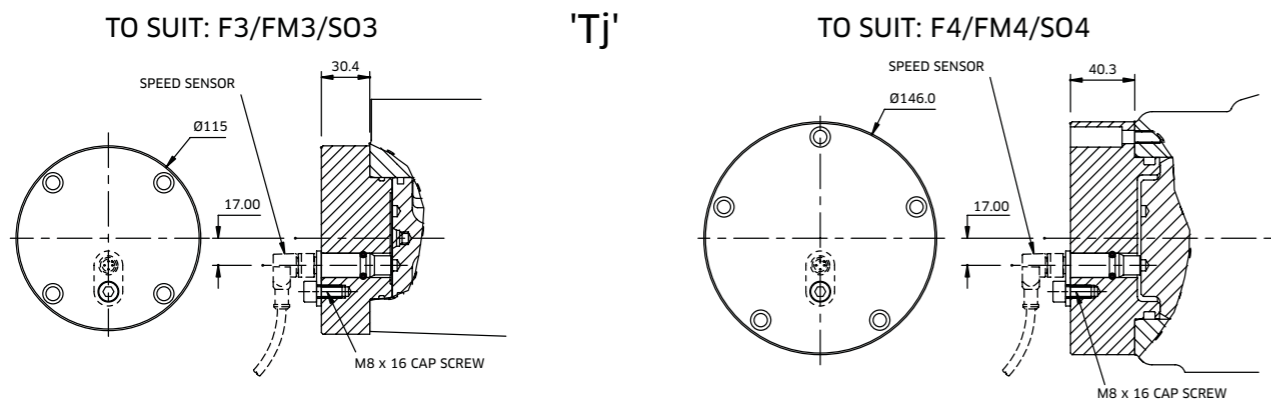
Tj Speed Sensor Technical Specification

The Tj speed sensor is a hall effect dual channel speed probe that can provide feedback of both speed and direction.

Signal Outputs: Square wave plus directional signal
 Power Supply: 8 to 32 V @ 40 mA
 Protection class: IP68
 Output frequency: 16 pulses/revolution



Installation Details

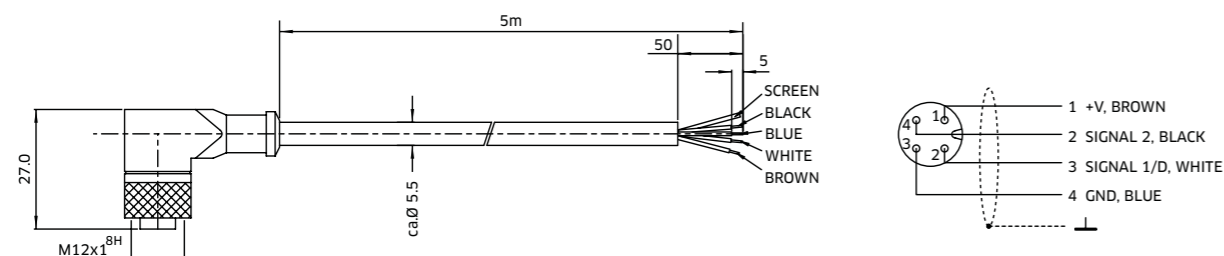


Tk Output Module

The Tk option consists of the Tj speed sensor together with the optional T401 output module.

The addition of the T401 module provides a software configured single channel tachometer and relay with a 0/4-20 mA analogue current output.

The software and calibration cable is also provided.



NOTES

**KAWASAKI PRECISION
MACHINERY (UK) LTD**

Ernesettle, Plymouth
Devon, PL5 2SA, England

Tel: +44 1752 364394
Fax: +44 1752 364816
Mail: info@kpm-uk.co.uk
Website: www.kpm-eu.com

OTHER GLOBAL SALES OFFICES

JAPAN

Kawasaki Heavy Industry Ltd, Precision Machinery Ltd. Tokyo Office World
Trade Center Bidg.
4-1 Hamamatsu-cho
2-chome, Minato-ku
Tokyo 105-6116
Japan
Tel: +81-3-3435-6862
Website: www.khi.co.jp/kpm

U.S.A

Kawasaki Precision Machinery (U.S.A.), Inc.
3838 Broadmoor Avenue S.E.
Grand Rapids
Michigan 49512
U.S.A.
Tel: +1-616-975-3101
Website: www.kpm-usa.com

CHINA

Kawasaki Precision Machinery Trading (Shanghai) Co., Ltd. 17th Floor (Room
1701), The Headquarters Building No168 XiZang Road (M)
Huangpu District
Shanghai 200001
China
Tel: +86-021-3366-3800

KOREA

Flutek, Ltd.
192-11, Shinchon-dong
Changwon
Kyungnam 641-370
Korea
Tel: +82-55-286-5551
Website: www.flutek.co.kr

**The specified data is for product description purposes only
and may not be deemed to be guaranteed unless expressly
confirmed in the contract.**

Data sheet: M-2005/03.17