

# AUTOPACK POWER PACK

REVERSIBLE

## CODING & INFORMATION



DESIGNED & BUILT  
IN BRITAIN

100% TESTED



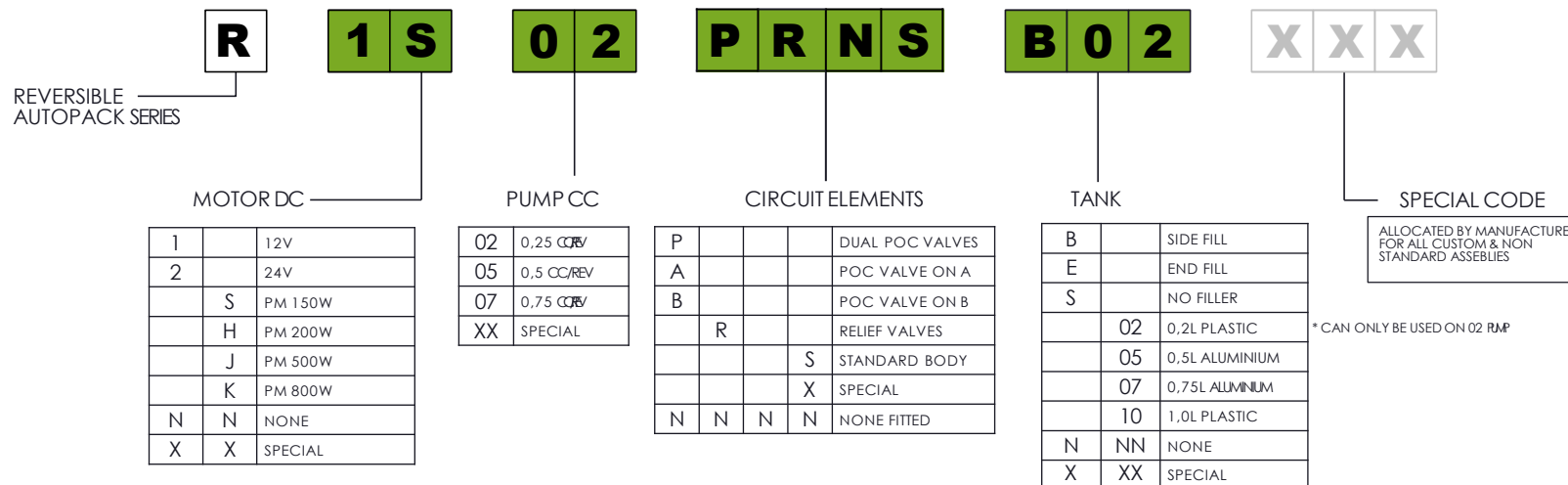
HYDRAULIC FLUID (RECOMMENDED)  
MINERAL HYDRAULIC OIL (HM OR HV)  
FOR NORMAL AMBIENT TEMP RANGE (0°C - 40°C) ISO  
VG22 TO ISO VG 46

WORKING TEMP AMBIENT -20°C - 60°C

WEIGHT  
TYPICAL ASSEMBLY (RM)  
(MOTOR DEPENDANT) 4,3KG  
EACH ADDITIONAL 0.5LITRE TANK CAPACITY

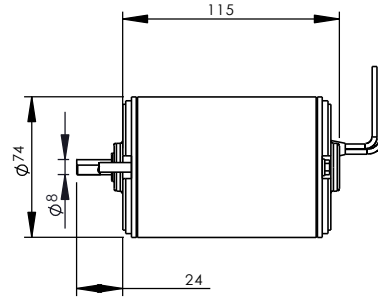
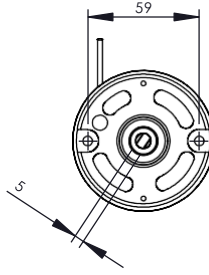
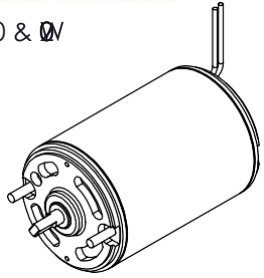
MAXIMUM SYSTEM PRESSURE  
PUMP DEPENDANT 200BAR

ISSUE 01

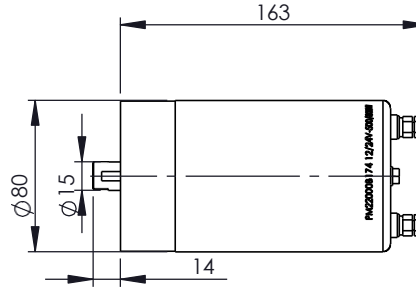
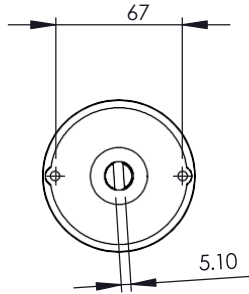
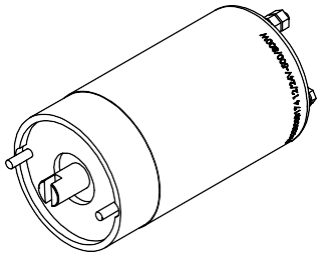


THE PRODUCTS ARE SUBJECT TO DEVELOPMENT AND THE MANUFACTURER RESERVES THE RIGHT TO CHANGE THE SPECIFICATION WITHOUT NOTICE

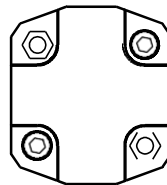
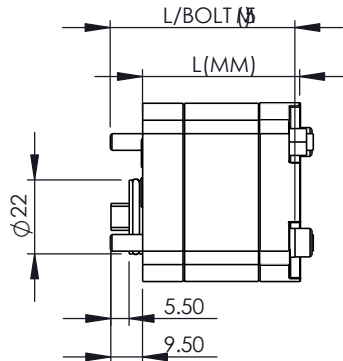
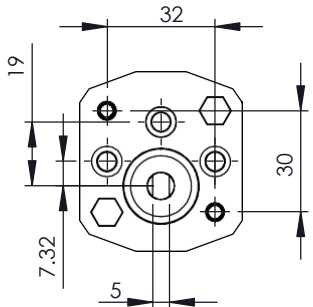
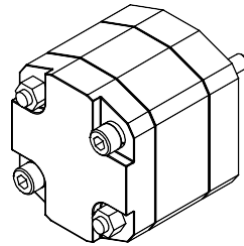
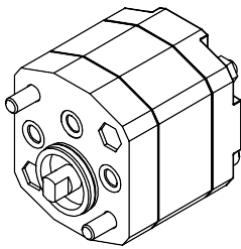
3" 150 & ØV



3" 500 & ØV



KPR



DC MOTOR KITS

KMD \*\*\* 01 A

3" 150 & ØV

MOTOR VOLTAGE	POWER W	MAX RPM	TYPE (DIA)	KIT CODE	SERIES	CODE
12VDC	150	3000	3"	R1S	01	1S
12VDC	200	4000	3"	R1H	01	1H
24VDC	150	3000	3"	R2S	01	2S
24VDC	200	4000	3"	R2H	01	2H

3" 500 & 800W

MOTOR VOLTAGE	POWER W	MAX RPM	TYPE (DIA)	KIT CODE	SERIES	CODE
12VDC	500	3000	3"	IRJ	01	
12VDC	800	4000	3"	IRK	01	1K
24VDC	500	3000	3"	2RJ	01	
24VDC	800	4000	3"	2RK	01	

GP05 PUMP

KPR \*\* 0 2B

PUMP CC/REV	Pn (BAR)	Pmax (BAR)	L(MM)	L/BOLT	SPACER	CODE
0.25	180	200	47	55	NO	02
0.5			55	60		05
0.75			57	65		07

Pn = NOMINAL WORKING PRESSURE

Pmax = MAX PRESSURE

SERIE S (R)

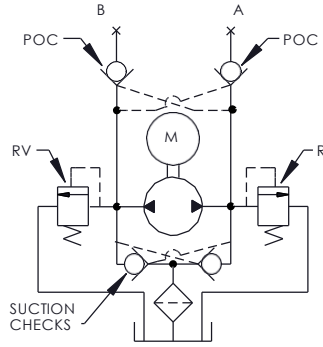
MOTO R (1S)

PUM P (02)

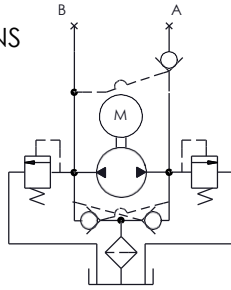
BOD Y (PRNS)

TAN K (B02)

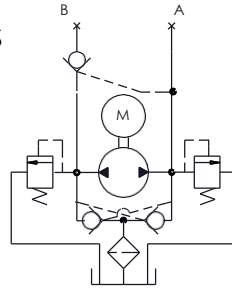
PRNS



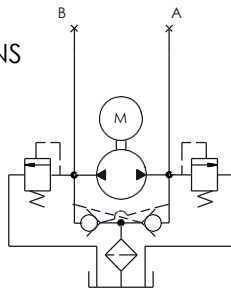
ARNS



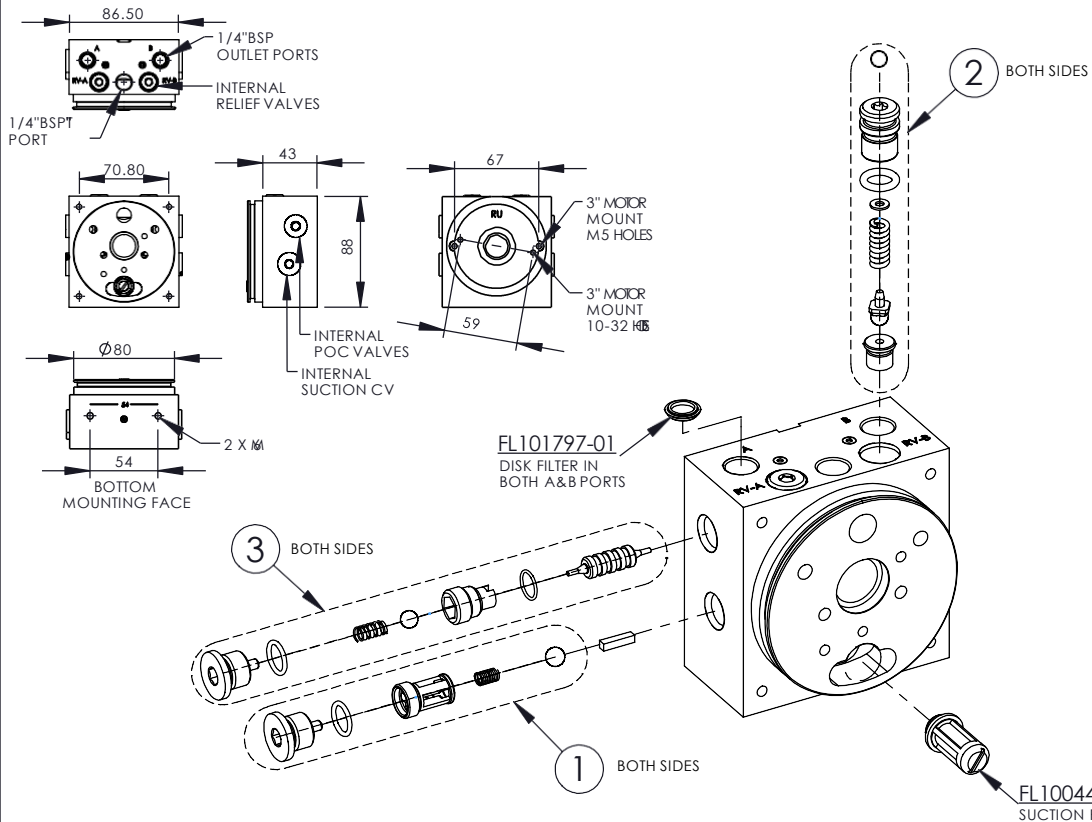
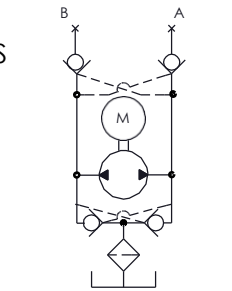
BRNS



NRNS



PNNS



**INTERNAL CIRCUIT**

CIRCUIT ELEMENTS

**P R N S**

POC VALVE	CODE	RELIEF VALVE	CODE	TBA	BODY	CODE
DUAL A & B	<b>P</b>	DUAL A & B	<b>R</b>	N	STANDARD	<b>R</b>
A SIDE ONLY	<b>A</b>				SPECIAL	<b>X</b>
B SIDE ONLY	<b>B</b>				NONE	<b>N</b>
NONE	<b>N</b>	NONE	<b>N</b>			

**AUTOPACK SERIES CENTRE PLATE KIT**

**KC A RU 10 1A**

**CENTRE PLATE INTERNAL VALVE KITS**

ITEM NO.	KIT ID	DESCRIPTION	MAX PRESSURE
1	IKCV02A	SUCTION CHECK VALVE KIT	200 BAR
2	IKRV02A	RELIEF VALVE KIT	
3	IKPV01A	POC VALVE KIT	

SUPPLIED AS STANDARD PRNS CIRCUIT UNLESS OTHERWISE REQUESTED

**CENTRE PLATE KIT INCLUDES:**

- IKCV02A - CHECK VALVEKIT
- IKRV02A - RELIEF VALVE KIT
- IKPV01A - POC VALVE KIT
- 101805-RU - AUTOPACK CENTRE PLATE (REFERENCE ONLY)
- FL100442-03 - SUCTION FILTER
- FL101797-01 - 1/4" DISK FILTER X 2

SERIE  
S (R)

MOTO  
R (1S)

PUM  
P (02)

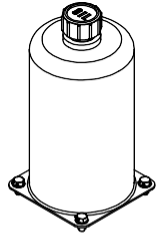
BOD  
Y (PRNS)

TAN  
K (B02)

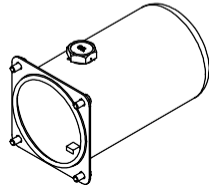
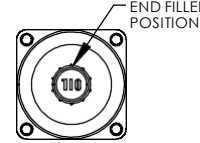
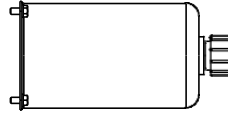
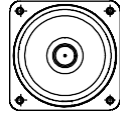
E: ~~info@hydraulicsonline.com~~

www.hydraulicsonline.com, 44 (0) 845 644 3640,

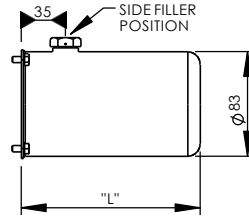
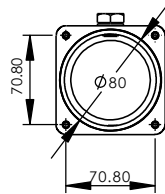
TYPE 1



END FILL  $\text{E}$

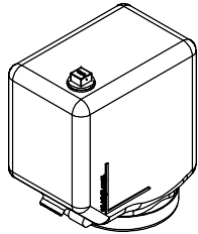


SIDE FILL  $\beta$

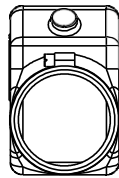


MATERIAL: SPUN ALUMINIUM EXCEPT 0.2L PLASTIC

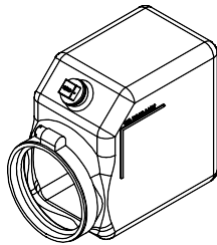
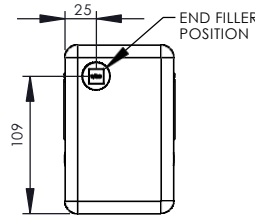
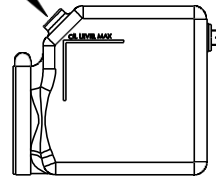
TYPE 2



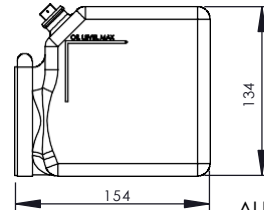
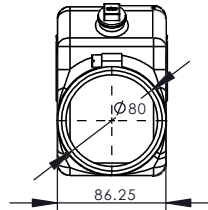
END FILL  $\text{E}$



SIDE FILLER POSITION



SIDE FILL  $\beta$



MATERIAL: PLASTIC

ALL TANK KITS INCLUDE:  
FILLER BREATHER  
CLAMP BAND  
O'RING  
MOUNTING BOLTS

AUTOPACK SERIES TANKS

KTA \*\* \* 01A

SIDE FILL  $\beta$

TANK VOLUME L	TYPE	L(MM)	BOLT	SUFFIX (KIT CODING)	PREFIX (POWER PACK CODING)	CODE
0.2L	1	80	M5	B	B	02
0.5L		140	M5			05
0.75L		240	M5			07
1.0L	2	154	CB	B	B	10

END FILL  $\text{E}$

TANK VOLUME L	TYPE	L(MM)	BOLT	SUFFIX (KIT CODING)	PREFIX (POWER PACK CODING)	CODE
0.2L	1	80	M5	E	E	02
0.5L		140	M5			05
0.75L		240	M5			07
1.0L	2	154	CB	E	E	10

NO FILL BLANKED (S) FILL THROUGH  $\text{CB}$

TANK VOLUME L	TYPE	L(MM)	BOLT	SUFFIX (KIT CODING)	PREFIX (POWER PACK CODING)	CODE
0.2L	1	80	M5	S	S	02
0.5L		140	M5			05
0.75L		240	M5			07
1.0L	2	154	CB	S	S	10

OTHER

NO TANK	N	NN
SPECIAL - DESIGNATED BY MANUFACTURER ONLY	X	XX

\*CB = CLAMP BAND BOLT

SERIE  
S  
(R)

MOTO  
R  
(IS)

PUM  
P  
(O2)

BOD  
Y  
(PRNS)

TAN  
K  
(B02)

E: ~~010101~~

www.hydraulicsonline.com, Tel: +44 (0) 844 3640,