

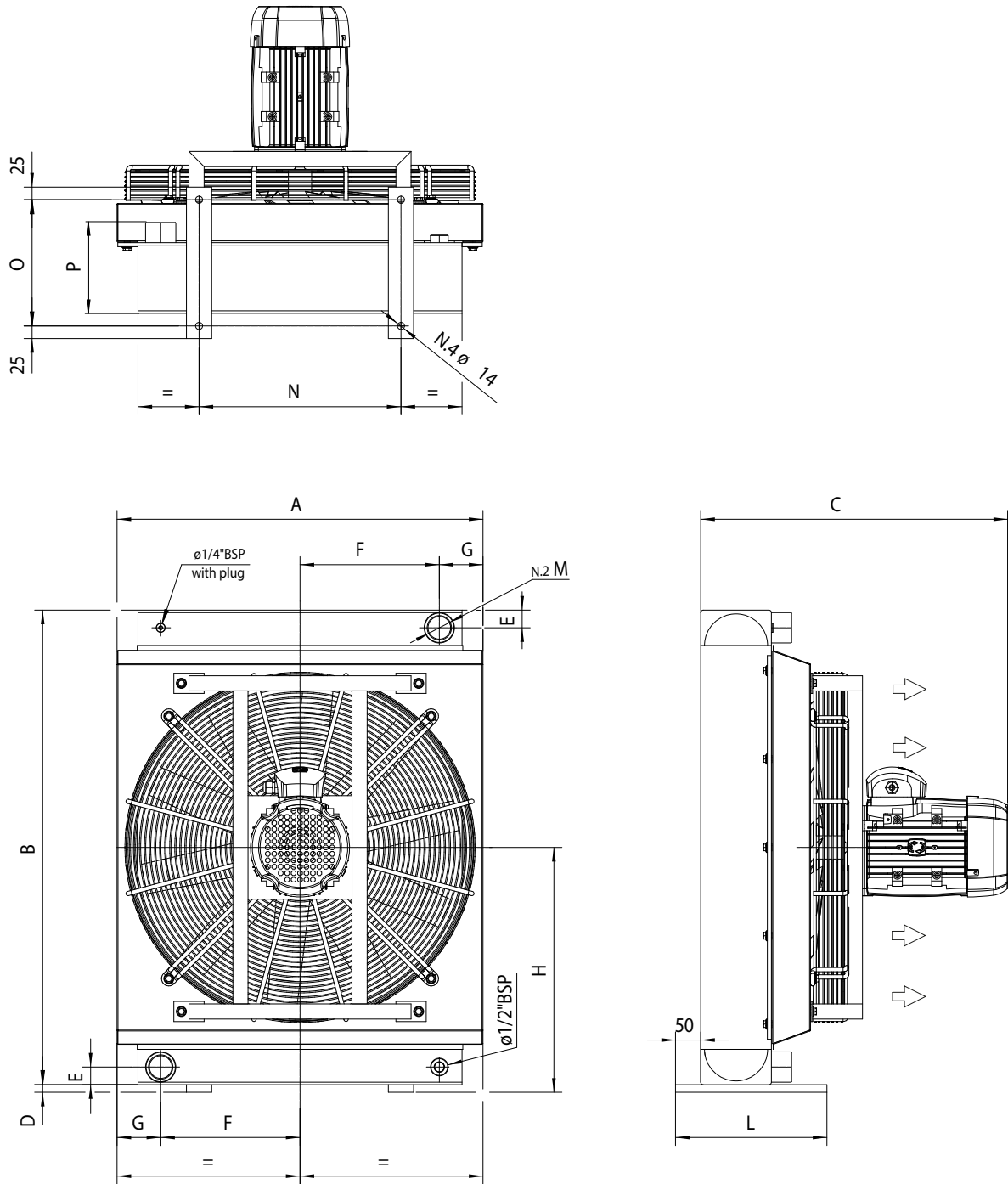


Scambiatori aria-olio Serie HPA Larger  
Air-oil-exchangers HPA Larger series



# HPA LARGER SERIES

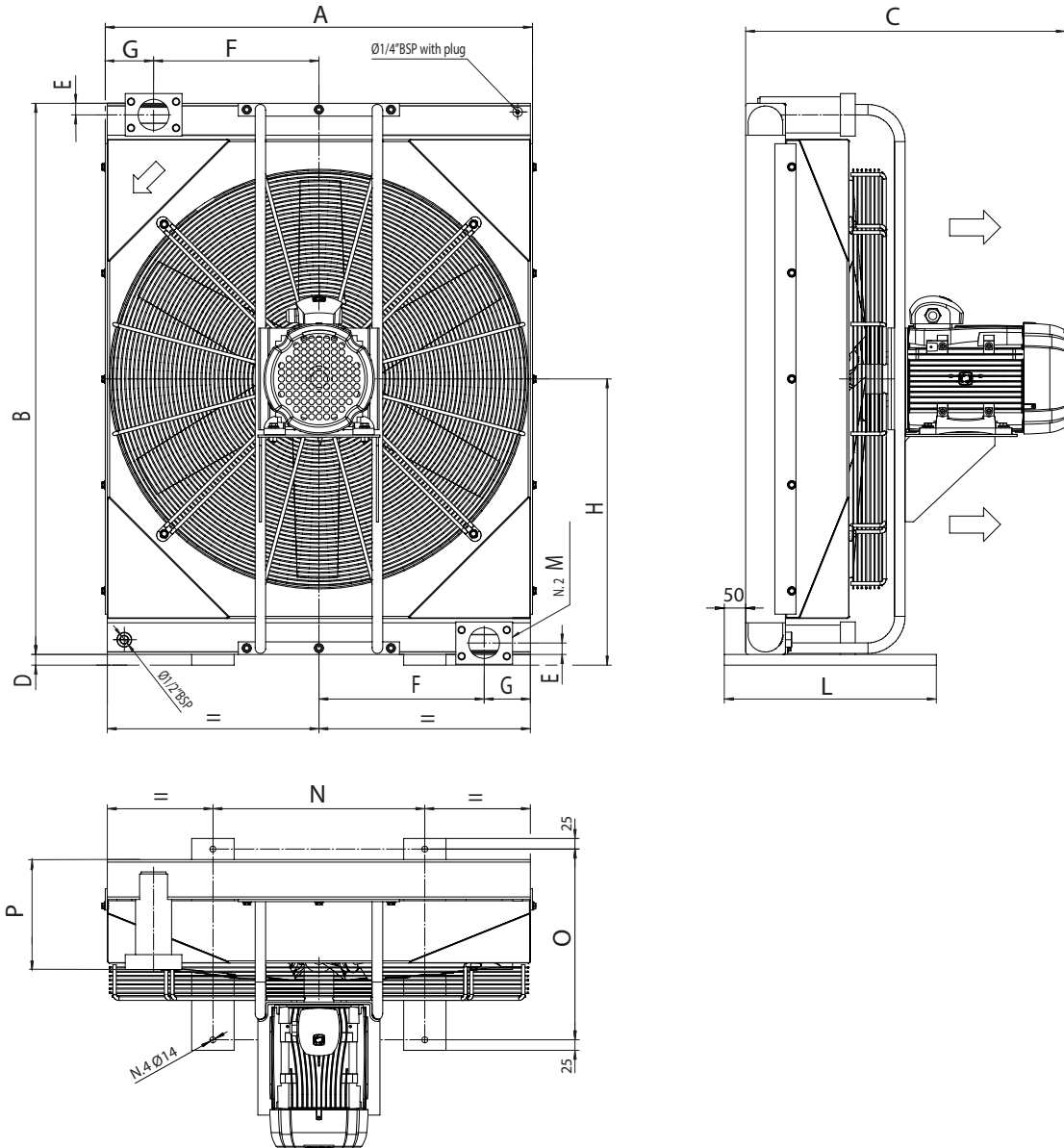
## AC ELECTRIC MOTOR



| Model                | A   | B   | C   | D  | E  | F   | G    | H   | L   | M          | N   | O   | P   |
|----------------------|-----|-----|-----|----|----|-----|------|-----|-----|------------|-----|-----|-----|
| HPA 72 A035700400B#1 | 725 | 940 | 603 | 15 | 35 | 276 | 86,5 | 485 | 300 | 1 1/2" BSP | 400 | 250 | 180 |

| P/N                  | V                  | Hz    | kW        | A                 | rpm       | dB(A)*** | IP | lt | Kg  |
|----------------------|--------------------|-------|-----------|-------------------|-----------|----------|----|----|-----|
| HPA 72 A035700400B#1 | 230-400 / 265-460V | 50/60 | 2,2 / 2,5 | 8,3-4,8 / 8,3-4,8 | 1435/1722 | 79/82    | 55 | 19 | 105 |

Le dimensioni di ingombro e le caratteristiche tecniche non sono impegnative  
 Over-all dimensions and technical characteristic are not binding



## Dimensioni Dimensions

| Model                 | A    | B    | C   | D  | E  | F   | G   | H   | L   | M           | N   | O   | P   |
|-----------------------|------|------|-----|----|----|-----|-----|-----|-----|-------------|-----|-----|-----|
| HPA 135 A03750A400B#1 | 1008 | 1300 | 706 | 25 | 27 | 390 | 109 | 675 | 500 | SAE 2.1/2** | 500 | 450 | 162 |
| HPA 180 A03280A400B#1 | 1008 | 1290 | 776 | 25 | 27 | 390 | 109 | 670 | 500 | SAE 2.1/2** | 500 | 450 | 181 |
| HPA 255 A03790B400B#1 | 1182 | 1310 | 957 | 25 | 27 | 477 | 109 | 680 | 500 | SAE 2.1/2** | 650 | 450 | 228 |

## Dati tecnici Technical data

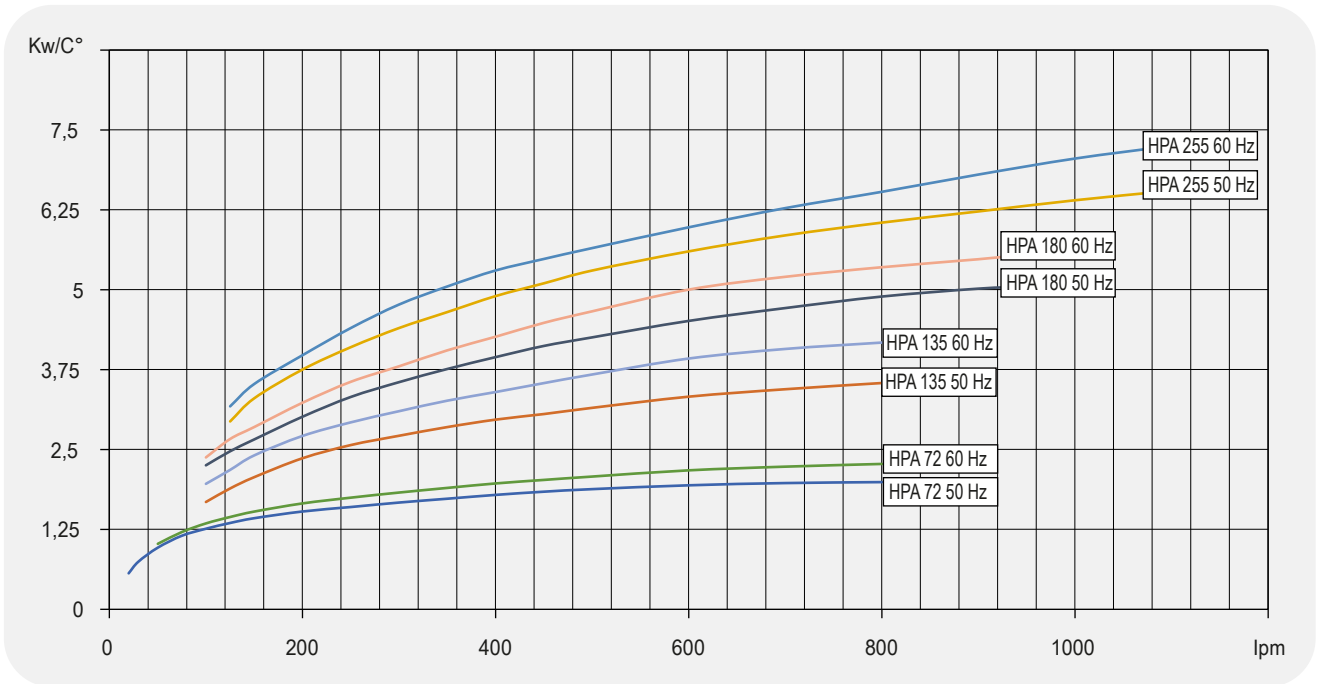
| Model                 | V                  | Hz    | kW        | A                       | rpm       | dB(A)*** | IP | It | Kg  |
|-----------------------|--------------------|-------|-----------|-------------------------|-----------|----------|----|----|-----|
| HPA 135 A03750A400B#1 | 230-400 / 265-460V | 50/60 | 3,0 / 3,5 | 12,1 - 7 / 12,1 - 7,0   | 969/1163  | 76 / 86  | 55 | 26 | 126 |
| HPA 180 A03280A400B#1 | 230-400 / 265-460V | 50/60 | 7,5 / 8,6 | 14,4 - 8,3 / 14,4 - 8,3 | 1450/1740 | 85 / 89  | 55 | 31 | 200 |
| HPA 255 A03790B400B#1 | 230-400 / 265-460V | 50/60 | 15 / 17,3 | 0,85                    | 1456/1747 | 90 / 94  | 55 | 56 | 358 |

Le dimensioni di ingombro e le caratteristiche tecniche non sono impegnative  
Over-all dimensions and technical characteristic are not binding



# HPA LARGER SERIES AC ELECTRIC MOTOR

## Performance diagram with oil ISO VG 32 @ 50 °C



## Pressure drop whit oil VG 32 @ 50 °C

