

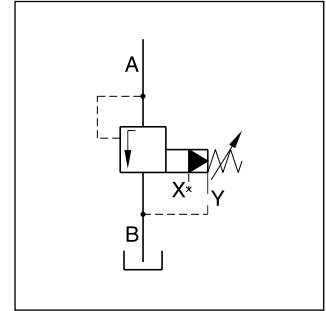
**Characteristics**

Pilot operated pressure relief valves for in-line mounting series R4V have a similar design to the subplate mounted R4V series. For single functions – where no manifold blocks are used – the valves can be directly placed in the pipework.

The R4V valves are available with 2 ports (L-body) for in-line relief function or with 3 ports (T-body) for relief functions in the bypass.



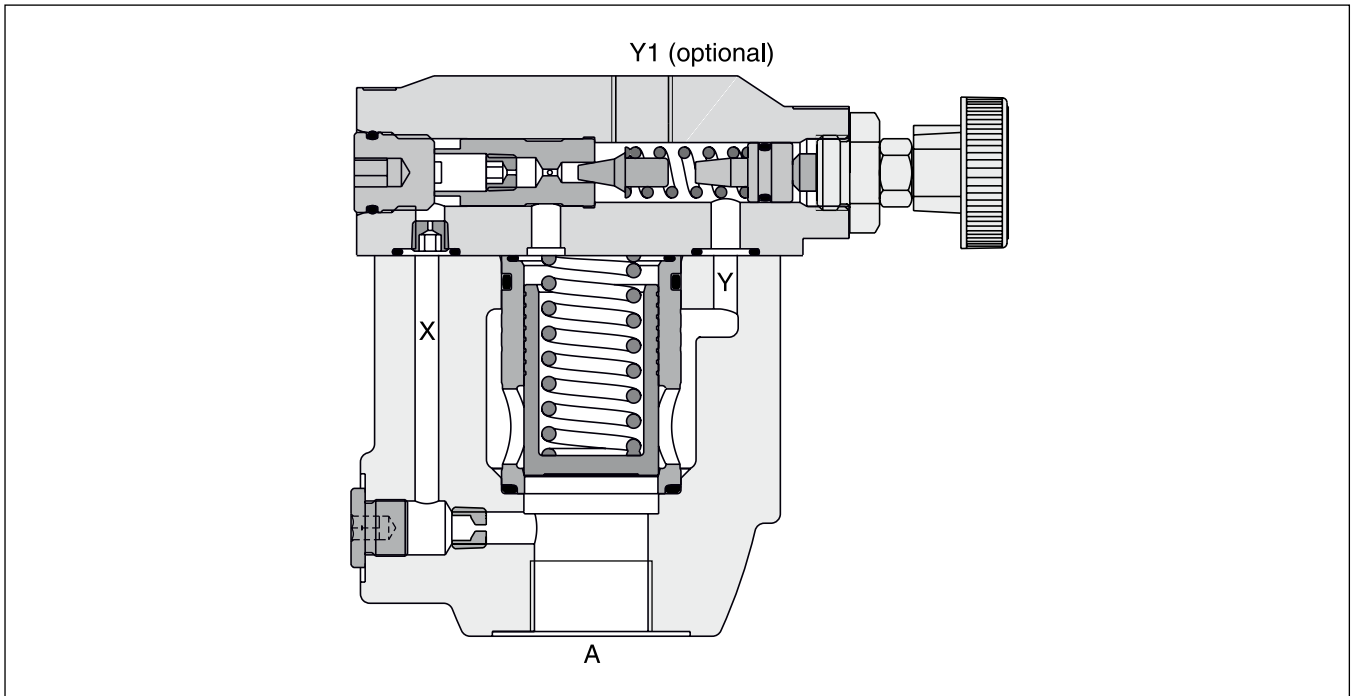
R4V10 L-body



**Features**

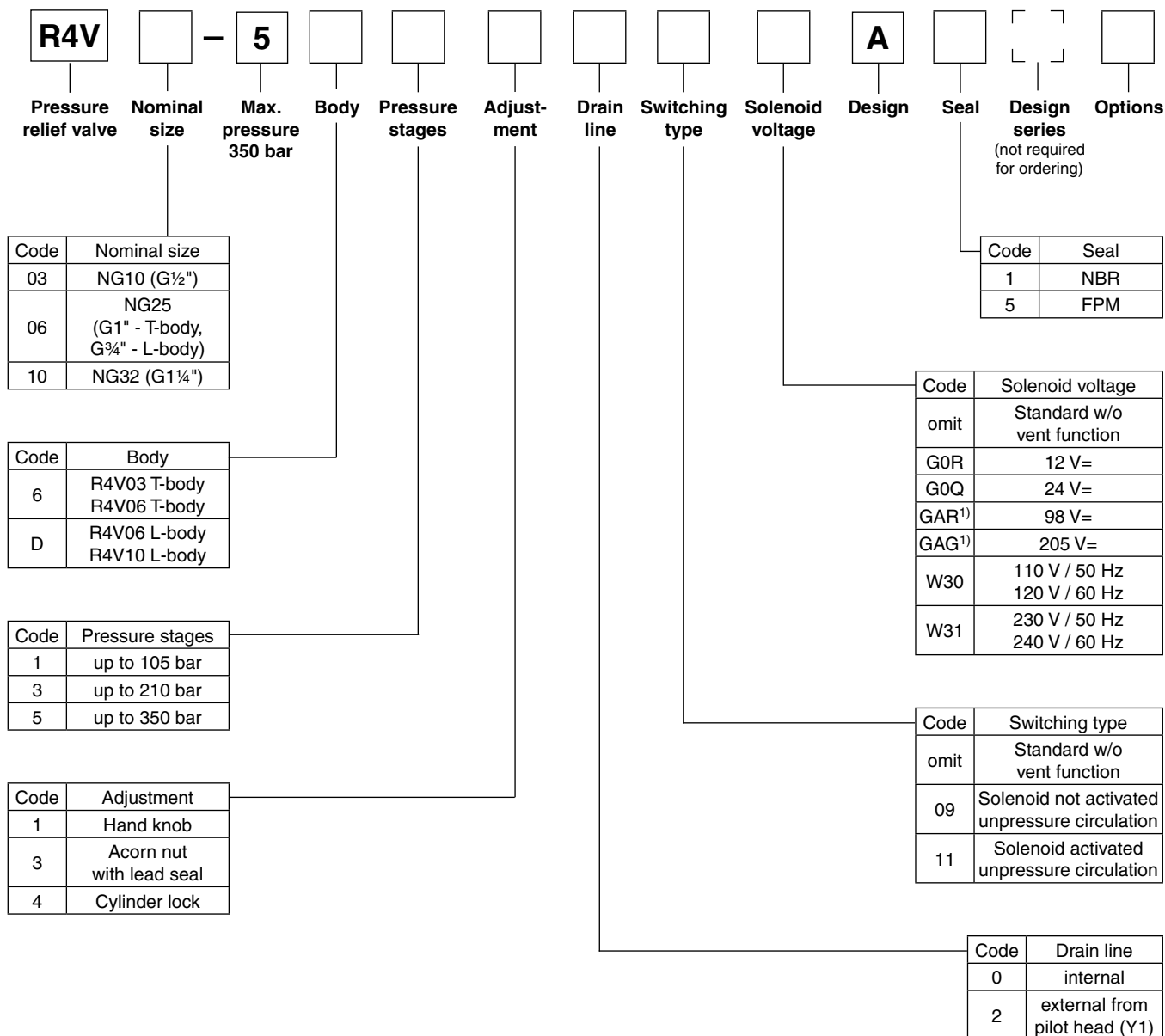
- Pilot operated with manual adjustment
- 2 interfaces:
  - L-body (R4V06-G $\frac{3}{4}$ ", R4V10-G1 $\frac{1}{4}$ " )
  - T-body (R4V03-G $\frac{1}{2}$ " , R4V06-G1" )
- 3 pressure stages
- 3 adjustment modes
  - Hand knob
  - Acorn nut with lead seal
  - Cylinder lock
- With optional vent function

**R4V06 L-body**



10

Ordering Code



10

<sup>1)</sup> To be used in combination with rectifier plugs at 120 VAC / 230 VAC power supply.

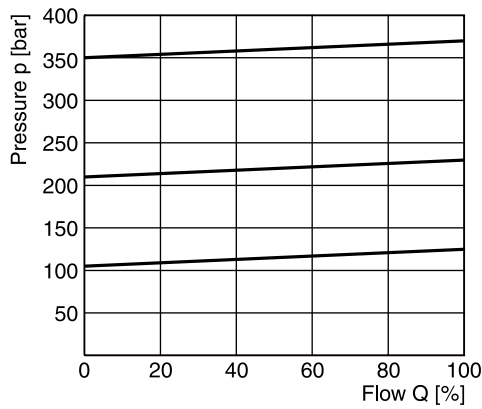
**R4V**

General					
Design		T-body		L-body	
Size		03 (½")	06 (1")	06 (¾")	10 (1¼")
Mounting		Threaded body			
Mounting position		unrestricted			
Ambient temperature	[°C]	-20...+60			
MTTF <sub>D</sub> value	[years]	75			
Weight	[kg]	3.2	6.6	3.3	5.6
Hydraulic					
Max. operating pressure	[bar]	Ports A and X up to 350; Ports B and Y 30 bar			
Pressure stages	[bar]	105, 210, 350			
Nominal flow	[l/min]	60	200	200	450
Fluid		Hydraulic oil according to DIN 51524			
Fluid temperature	[°C]	-20...+70 (NBR: -25...+70)			
Viscosity permitted	[cSt] / [mm²/s]	20...400			
Viscosity recommended	[cSt] / [mm²/s]	30...80			
Filtration		ISO 4406 (1999); 18/16/13			

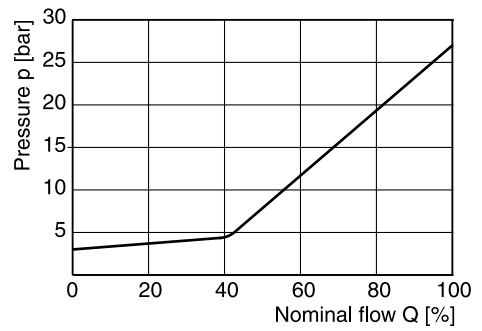
**R4V with vent function**

General								
Design		T-body			L-body			
Size		03 (½")	06 (1")	06 (¾")	10 (1¼")			
Mounting		Threaded body						
Mounting position		unrestricted						
Ambient temperature	[°C]	-20...+60						
MTTF <sub>D</sub> value	[years]	75						
Weight	[kg]	4.9	8.3	5.0	7.3			
Hydraulic								
Max. operating pressure	[bar]	Ports A and X up to 350; Ports B and Y 30						
Pressure stages	[bar]	105, 210, 350						
Nominal flow	[l/min]	60	200	200	450			
Fluid		Hydraulic oil according to DIN 51524						
Fluid temperature	[°C]	-20...+70 (NBR: -25...+70)						
Viscosity permitted	[cSt] / [mm²/s]	20...400						
Viscosity recommended	[cSt] / [mm²/s]	30...80						
Filtration		ISO 4406 (1999); 18/16/13						
Electrical (solenoid)								
Duty ratio		100 % ED; CAUTION: coil temperature up to 150 °C possible						
Protection class		IP65 in accordance with EN 60529 (with correctly mounted plug-in connector)						
	Code	G0R	G0Q	GAR	GAG	W30	W31	
Supply voltage	[V] [V]	12 V =	24 V =	98 V =	205 V =	110 at 50 Hz 120 at 60 Hz	230 at 50 Hz 240 at 60 Hz	
Tolerance supply voltage	[%]	±10	±10	±10	±10	±5	±5	
Current consumption	hold in rush	[A] [A]	2.72 2.72	1.29 1.29	0.33 0.33	0.13 0.13	0.6 / 0.55 2.5 / 2.4	0.3 / 0.27 1.25 / 1.2
Power consumption	hold in rush	[W] [W]	32.7 32.7	31 31	31.9 31.9	28.2 28.2	70/70 VA 280/290 VA	70/70 VA 280/290 VA
Solenoid connection		Connector as per EN175301-803, solenoid identification as per ISO 9461						
Wiring min.	[mm²]	3 x 1.5 recommended						
Wiring length max.	[m]	50 recommended						

**p/Q performance curve <sup>1)</sup>**

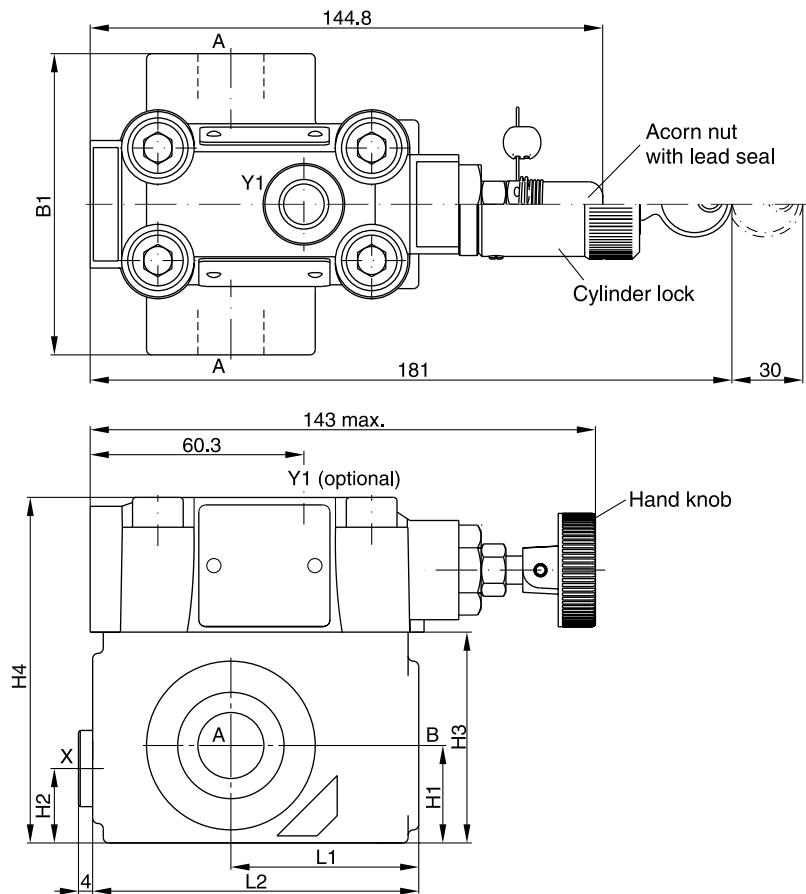


**Minimum pressure curve**



All characteristic curves measured with HLP46 at 50 °C.

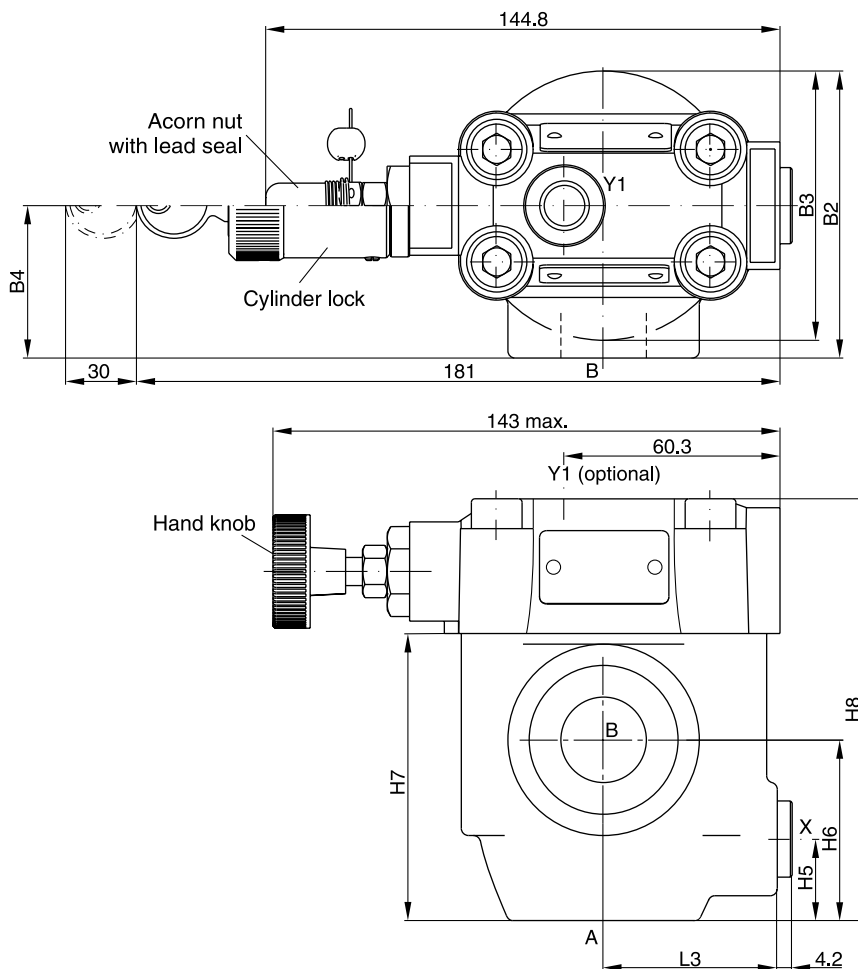
**Dimensions  
T-body**



**10**

<sup>1)</sup> The performance curves are measured with external drain. For internal drain the tank pressure has to be added to curve.

**L-body**



Seal kits		
NG	NBR	FPM
03	S26-58507-0	S26-58507-5
06	S26-58475-0	S26-58475-5
10	S26-58508-0	S26-58508-5

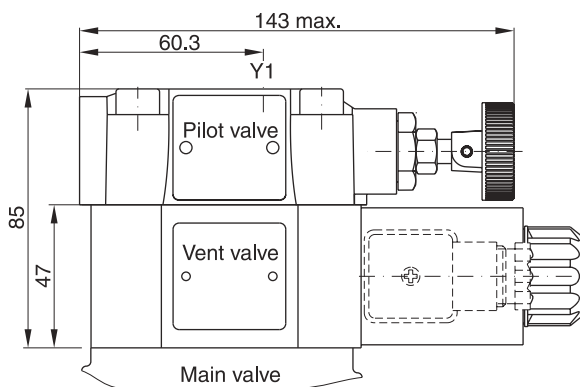
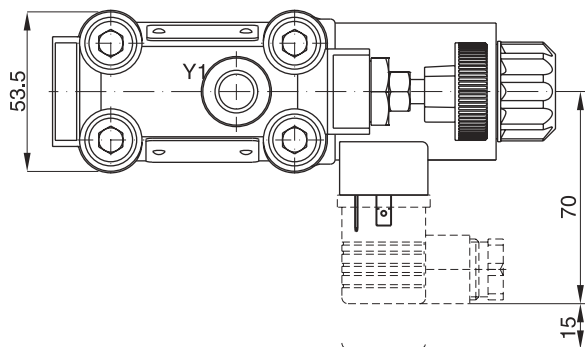
NG	Body	B1	B2	B3	B4	H1	H2	H3	H4	H5	H6	H7	H8	L1	L2	L3
03	T-body	85	-	-	-	27.5	21	59.5	97.5	-	-	-	-	53	92	-
06	T-body	136	-	-	-	38	28	93	131	-	-	-	-	66.5	117.5	-
06	L-body	-	81	76	43	-	-	-	-	23	51	81	119	-	-	49
10	L-body	-	120.7	85.8	77.8	-	-	-	-	38.1	50.8	96	134	-	-	49.8

Ports	Function	Port size			
		R4V03 T-body	R4V06 L-body	R4V06 T-body	R4V10 L-body
A	pressure (inlet)	G½ "	G¾ "	G1 "	G1¼ "
B	tank (outlet)	G½ "	G¾ "	G1 "	G1¼ "
X <sup>1)</sup>	external remote control or vent connection	G¼ "	G¼ "	G¼ "	G¼ "
Y1 <sup>2)</sup>	external drain	G¼ "	G¼ "	G¼ "	G¼ "

<sup>1)</sup> Closed when supplied.

<sup>2)</sup> Port Y1 is only available at drain line (code 2) external from the pilot head.

**R4V with vent function**



Seal kits	
NBR	FPM
<b>DC solenoid</b>	
S56-40609-0	S56-40609-5
<b>AC solenoid</b>	
S26-35237-0	S26-35237-5

Code	Internal drain	External drain
11		
09		

**10**