

Characteristics

**Pilot Operated Pressure Relief Valves
Series R4V / R6V**

Pilot operated pressure relief valves series R4V (DIN 24340 Form D) and R6V (DIN 24340 Form E) consist of a manually adjusted pilot stage and a seated type main stage.

A vent function with a solenoid operated directional valve is available for circulation at minimum pressure.

Features

- Pilot operated with manual adjustment
- 2 interfaces
 - R4V subplate ISO 6264 (DIN 24340 Form D) with VV01 vent valve
 - R6V subplate ISO 6264 (DIN 24340 Form E) with CETOP 03 vent valve
- 3 pressure stages
- 3 adjustment modes:
 - hand knob
 - acorn nut with lead seal
 - cylinder lock
- Remote control via port X

Function:

Series R4V/R6V

System pressure in port P is applied via the X gallery to the spring loaded cone in the pilot head. The pilot head controls the pressure in the Z area on top of the main cartridge which is additionally kept close by the main spring.

If the pilot pressure exceeds the setting pressure the pilot cone opens and thus limits the pilot pressure.

When the system pressure exceeds the pilot pressure plus the spring force, the main cartridge opens to port T and limits the pressure in port P to the adjusted level.

Series R4V/R6V with vent function

Additionally to the relief function, a solenoid operated vent valve connects the Z area to tank. This allows oil circulation from P to T at minimum pressure drop. The vent valve can either be a standard CETOP 03 valve (R6V) or a sandwich unit (R4V). For both types the vent position can be either at the energized or de-energized solenoid.



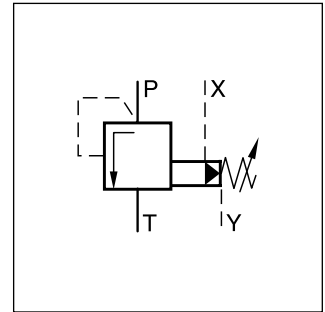
R6V06



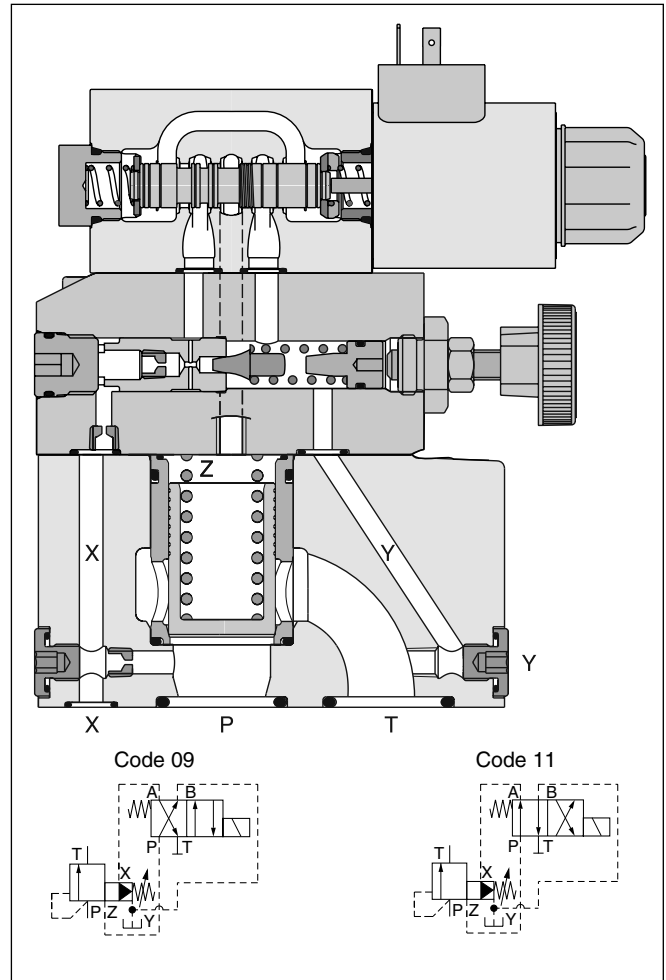
R6V06 with vent valve



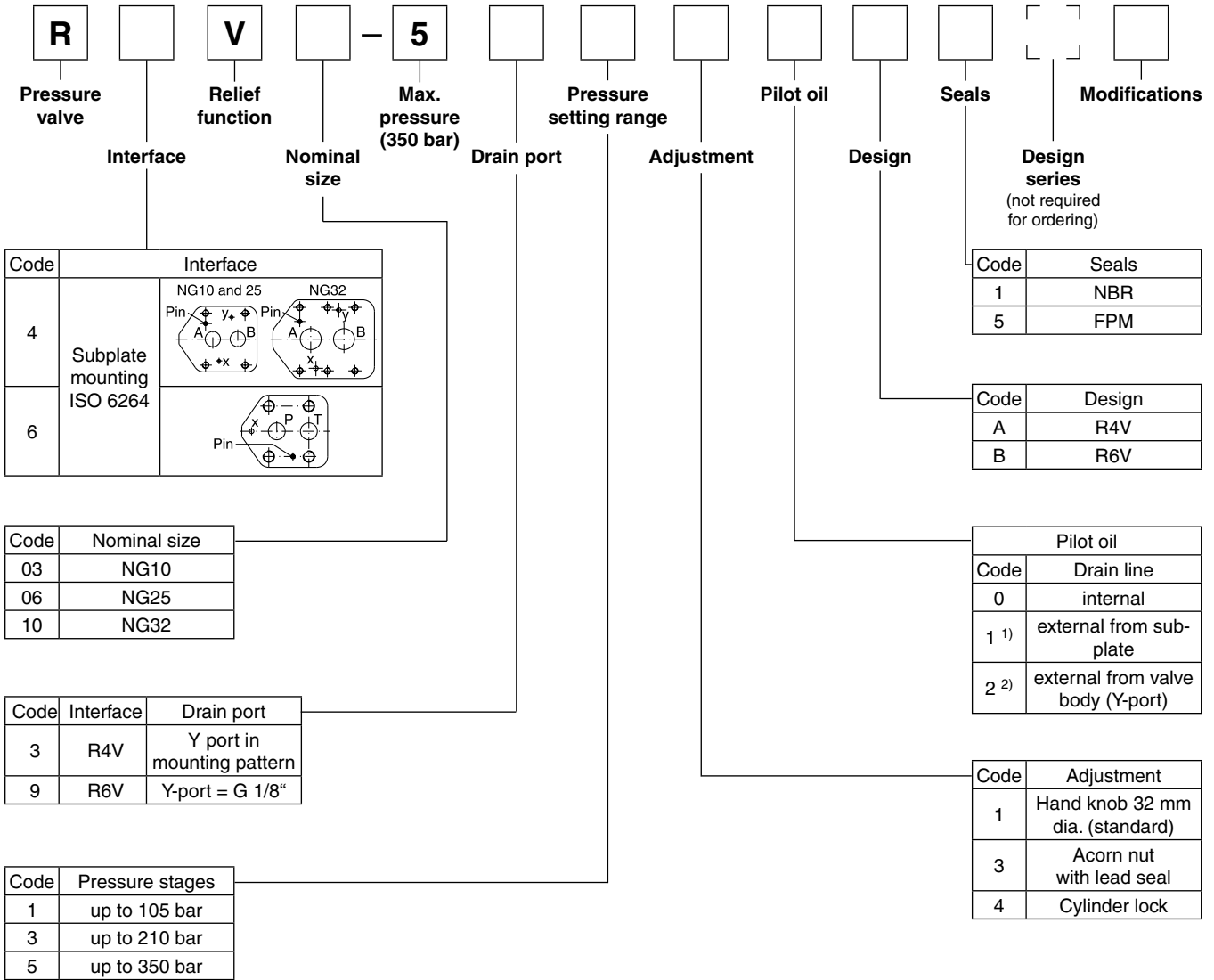
R4V06 with vent valve



R6V06 with vent valve



4



¹⁾ R4V only.
²⁾ R6V only.

R		V		- 5																		
Pressure valve		Relief function		Max. pressure (350 bar)		Pressure setting range		Pilot oil		Solenoid voltage		Seals		Design series (not required for ordering)		Modifications						
	Interface		Nominal size		Drain port		Adjustment		Vent valve function		Design											
Code	Interface		Code	Nominal size		Code	Adjustment		Code	Voltage		Code	Seals		Code	Design		Code	Modifications			
4			03	NG10		1	Hand knob (Standard)		09	12 V =		1	NBR		A	R4V		031 ^{1,4)}	Vent function with slow unloading			
6			06	NG25		3	Acorn nut with lead seal		G0Q	24 V =		5	FPM		B	R6V		VFM ^{2,4)}	Vent function with slow unloading			
			10	NG32		9	Turning knob with key lock		GAR ³⁾	98 V =												
Code	Interface	Drain port									Code	Voltage										
3	R4V	Y port in mounting pattern									G0R	12 V =										
9	R6V	Y-port = G 1/8"									G4Q	24 V =										
Code	Pressure stages										GAR ³⁾	98 V =										
1	up to 105 bar										GAG ³⁾	205 V =										
3	up to 210 bar										W30	110 V / 50 Hz 120 V / 60 Hz										
5	up to 350 bar										W31	230 V / 50 Hz 240 V / 60 Hz										
Code	Adjustment																					
1	Hand knob (Standard)																					
3	Acorn nut with lead seal																					
4	Turning knob with key lock																					
										Code		Vent valve										
										09	Solenoid not activ. unpress. circulation											
										11	Solenoid activated unpress. circulation											
										Code		Pilot oil										
										0	internal											
										1 ¹⁾	external from subplate											
										2 ²⁾	external from valve body (Y-port)											



1) R4V only.
 2) R6V only.
 3) To be used in combination with rectifier plugs at 120 VAC / 230 VAC power supply.
 4) Vent valve function code 09 only.

R4V/R6V

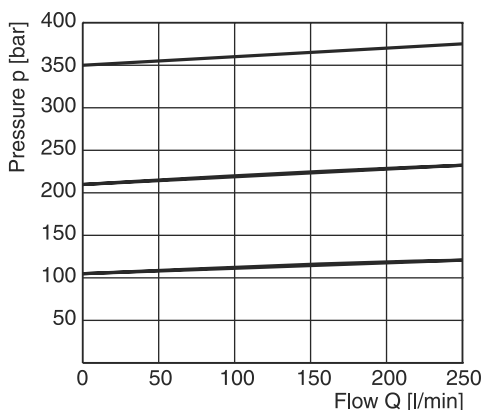
General			NG10	NG25	NG32
Nominal size					
Interface		Subplate mounting acc. ISO 6264 (DIN 24340)			
Mounting position		Unrestricted, horizontal mounting preferred			
Ambient temperature	[°C]	-20...+60			
MTTF _D value	[years]	75			
Weight	Series R6V [kg] Series R4V [kg]	4.5 2.7	5.8 4.5	7.8 6.0	
Hydraulic					
Max. operating pressure	[bar]	Ports P (or A) and X up to 350, Port T (or B) and Y 30			
Pressure stages	[bar]	105, 210, 350			
Nominal flow	[l/min]	250	500	650	
Fluid		Hydraulic oil according to DIN 51524			
Viscosity, permitted	[cSt] / [mm ² /s]	20 ... 400			
recommended	[cSt] / [mm ² /s]	30 ... 80			
Fluid temperature	[°C]	-20...+70 (NBR: -25...+70)			
Filtration		ISO 4406; 18/16/13			

R4V/R6V with vent function

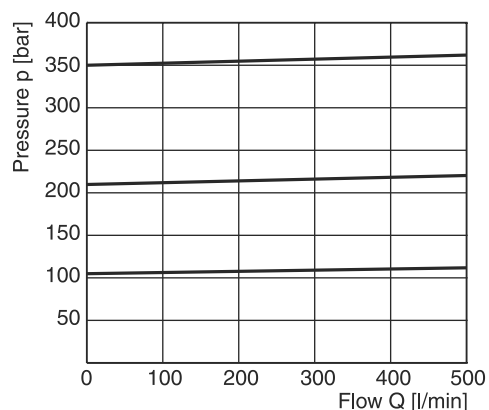
General			NG10	NG25	NG32		
Nominal size							
Interface		Subplate mounting acc. ISO 6264 (DIN 24340)					
Mounting position		Unrestricted, horizontal mounting preferred					
Ambient temperature	[°C]	-20...+60					
MTTF _D value	[years]	75					
Weight	Series R6V [kg] Series R4V [kg]	5.9 4.4	7.2 6.2	9.2 7.7			
Hydraulic							
Max. operating pressure	[bar]	Ports P (or A) and X up to 350, port T (or B) and Y 30					
Pressure stages	[bar]	105, 210, 350					
Nominal flow	[l/min]	250	500	650			
Fluid		Hydraulic oil according to DIN 51524					
Viscosity, permitted	[cSt] / [mm ² /s]	20 ... 400					
recommended	[cSt] / [mm ² /s]	30 ... 80					
Fluid temperature	[°C]	-20...+70 (NBR: -25...+70)					
Filtration		ISO 4406; 18/16/13					
Electrical							
Duty ratio	[%]	100 ED; CAUTION: coil temperature up to 150 °C possible					
Protection class		IP65 in accordance with EN 60529 (with correctly mounted plug-in connector)					
Code		G0R	G0Q	GAR	GAG	W30	W31
Supply voltage	[V]	12 V =	24 V =	98 V =	205 V =	110 V/50 Hz 120 V/60 Hz	230 V/50 Hz 240 V/60 Hz
Tolerance supply voltage	[%]	±10	±10	±10	±10	±5	±5
Current consumption	hold [A]	2.72	1.29	0.33	0.13	0.6 / 0.55	0.3 / 0.27
	in rush [A]	2.72	1.29	0.33	0.13	2.5 / 2.4	1.25 / 1.2
Power consumption	hold [W]	32.7	31	31.9	28.2	70 / 70 VA	70 / 70 VA
	in rush [W]	32.7	31	31.9	28.2	280 / 290 VA	280 / 290 VA
Solenoid connection		Connector as per EN175301-803, solenoid identification as per ISO 9461					
Wiring min.	[mm ²]	3 x 1.5 recommended					
Wiring length max.	[m]	50 recommended					

p/Q performance curves ¹⁾

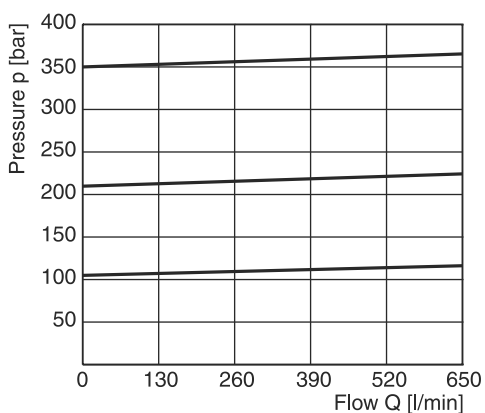
NG10



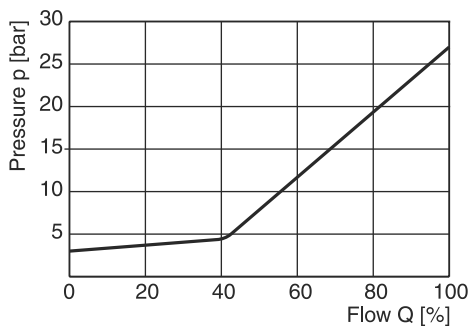
NG25



NG32



Minimum pressure curve

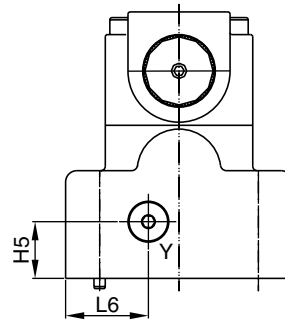
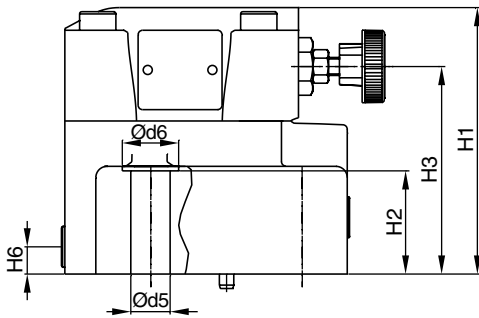
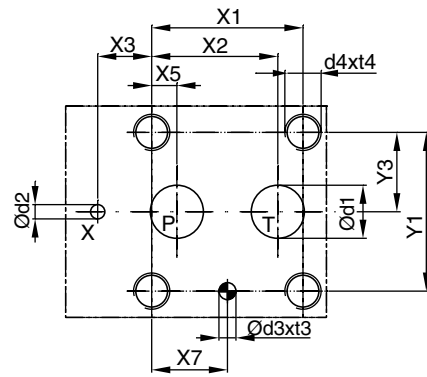
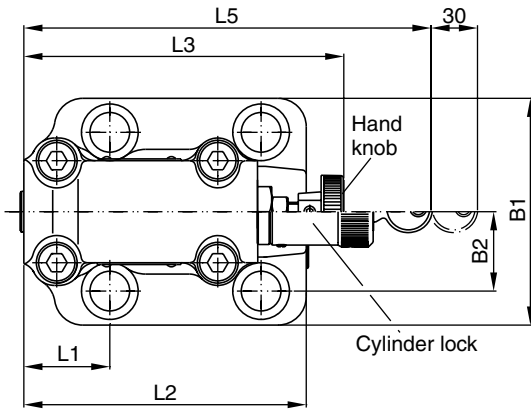


All characteristic curves measured with HLP46 at 50 °C.

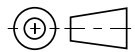
¹⁾ The performance curves are measured with external drain.
 For internal drain the tank pressure has to be added to curve.

R6V

4



Y: external drain port G 1/8"



NG	ISO-code	x1	x2	x3	x4	x5	x6	x7	y1	y2	y3	y4	y5	y6
10	6264-06-09-*-97	53.8	47.5	0	-	22.1	-	22.1	53.8	-	26.9	-	-	-
25	6264-08-13-*-97	66.7	55.6	23.8	-	11.1	-	33.4	70	-	35	-	-	-
32	6264-10-17-*-97	88.9	76.2	31.8	-	12.7	-	44.5	82.6	-	41.3	-	-	-

Tolerance at X and Y pin holes and screw holes ±0.1, at port holes ±0.2.

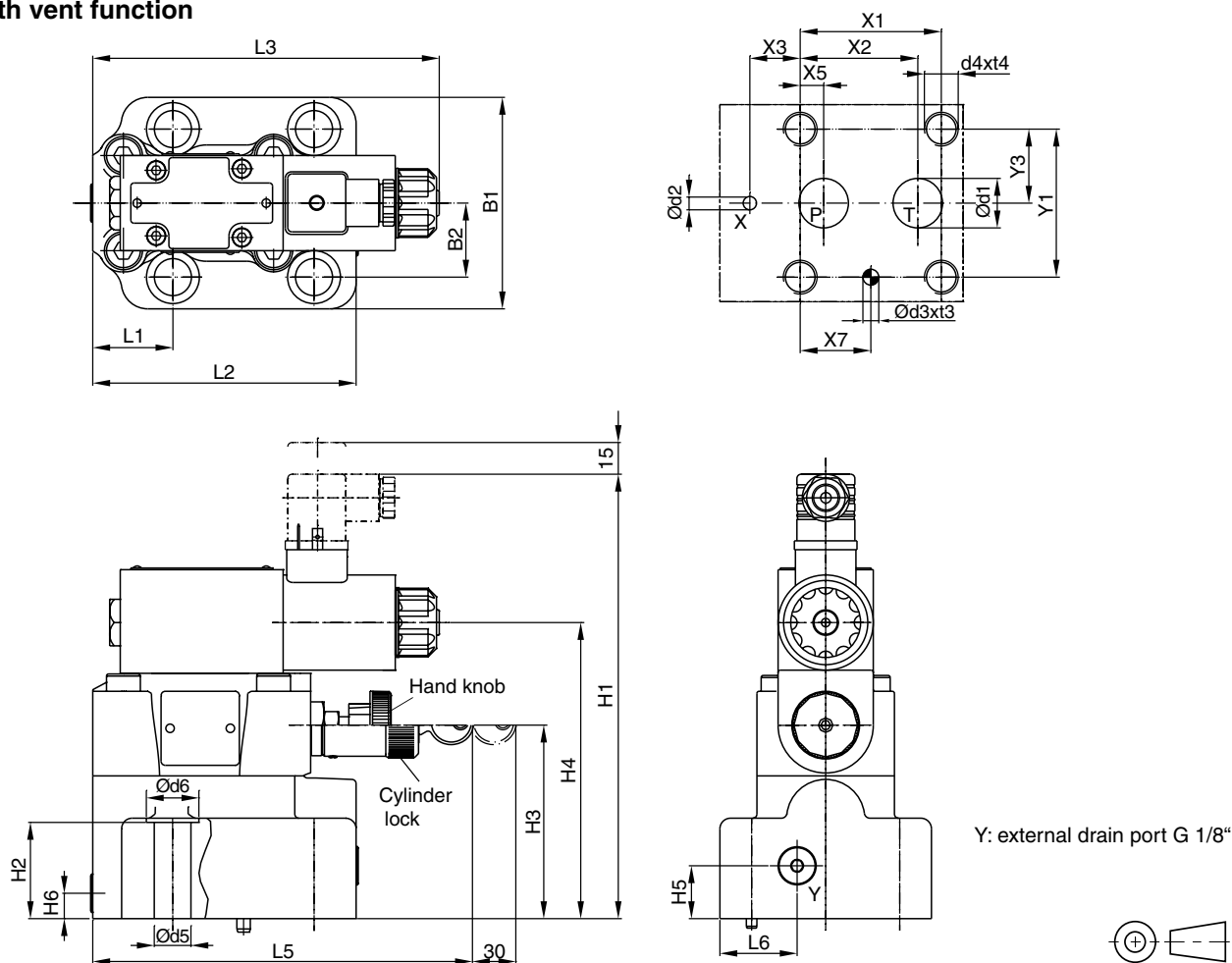
NG	ISO-code	B1	B2	H1	H2	H3	H4	H5	H6	L1	L2	L3	L4	L5	L6
10	6264-06-09-*-97	80	26.9	114	27	88	-	20.5	25	52	117	141	-	180	29.5
25	6264-08-13-*-97	100	35	117.5	46.5	91.5	-	25	12	37.9	124.5	141	-	180	36.5
32	6264-10-17-*-97	120	41.3	124.5	51.3	98.5	-	26.5	13.5	44.3	153	141	-	180	46.5

NG	ISO-code	d1max	d2max	d3	t3	d4	t4	d5	d6	Subplate ¹⁾
10	6264-06-09-*-97	14.7	4.8	7.5	10	M12	20	13.5	20	SPP 3R6B 910
25	6264-08-13-*-97	23.4	6.3	7.5	10	M16	27	17.5	25	SPP 6R10B 910
32	6264-10-17-*-97	32	6.3	7.5	10	M18	28	20	30	SPP 10R12B 910

NG	Kit	Kit	Kit	Kit		Surface finish
				NBR	FPM	
10	BK494	4x M12x45 ISO 4762-12.9	108 Nm ±15 %	S26-98589-0	S26-98589-5	
25	BK366	4x M16x70 ISO 4762-12.9	264 Nm ±15 %	S26-96396-0	S26-96396-5	
32	BK507	4x M18x75 ISO 4762-12.9	398 Nm ±15 %	S26-96392-0	S26-96392-5	

¹⁾ Details see chapter 12, series SPP.

R6V with vent function



4

NG	ISO-code	x1	x2	x3	x4	x5	x6	x7	y1	y2	y3	y4	y5	y6
10	6264-06-09-*-97	53.8	47.5	0	-	22.1	-	22.1	53.8	-	26.9	-	-	-
25	6264-08-13-*-97	66.7	55.6	23.8	-	11.1	-	33.4	70	-	35	-	-	-
32	6264-10-17-*-97	88.9	76.2	31.8	-	12.7	-	44.5	82.6	-	41.3	-	-	-

Tolerance at X and Y pin holes and screw holes ±0.1, at port holes ±0.2.

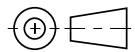
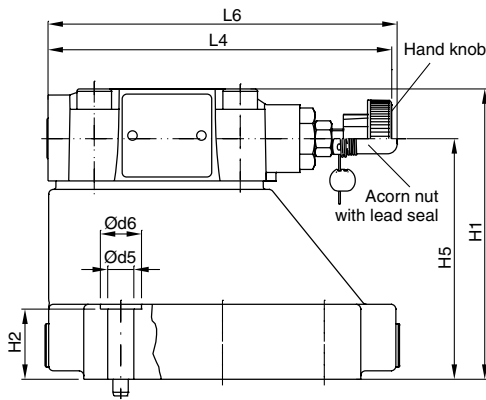
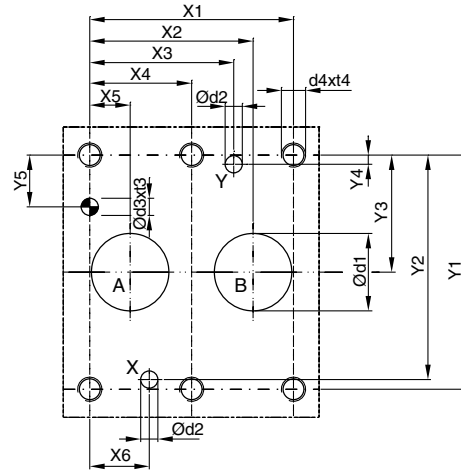
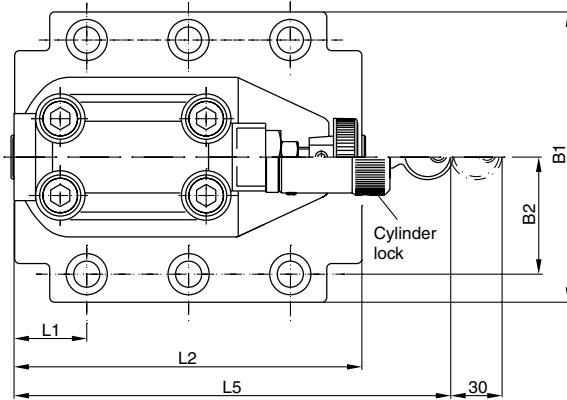
NG	ISO-code	B1	B2	H1	H2	H3	H4	H5	H6	L1	L2	L3	L4	L5	L6
10	6264-06-09-*-97	80	26.9	203.4	27	88	136.3	25	12	52	117	163.8	-	180	36.5
25	6264-08-13-*-97	100	35	206.9	46.5	91.5	139.8	25	12	37.9	124.5	163.8	-	180	36.5
32	6264-10-17-*-97	120	41.3	213.9	51.3	98.5	146.8	25	12	44.3	153	163.8	-	180	36.5

NG	ISO-code	d1max	d2max	d3	t3	d4	t4	d5	d6	Subplate ¹⁾
10	6264-06-09-*-97	14.7	4.8	7.5	10	M12	20	13.5	20	SPP 3R6B 910
25	6264-08-13-*-97	23.4	6.3	7.5	10	M16	27	17.5	25	SPP 6R10B 910
32	6264-10-17-*-97	32	6.3	7.5	10	M18	28	20	30	SPP 10R12B 910

NG	Kit	Kit	Kit	Kit		Surface finish
				NBR	FPM	
10	BK494	4x M12x45 ISO 4762-12.9	108 Nm ±15 %	S26-98589-0	S26-98589-5	
25	BK366	4x M16x70 ISO 4762-12.9	264 Nm ±15 %	S26-96396-0	S26-96396-5	
32	BK507	4x M18x75 ISO 4762-12.9	398 Nm ±15 %	S26-96392-0	S26-96392-5	

¹⁾ Details see chapter 12, series SPP.

R4V



NG	ISO-code	x1	x2	x3	x4	x5	x6	x7	y1	y2	y3	y4	y5	y6
10	6264-06-07-*-97	42.9	35.8	21.5	–	7.2	21.5	0	66.7	58.8	33.4	7.9	14.3	–
25	6264-08-11-*-97	60.3	49.2	39.7	–	11.1	20.6	0	79.4	73	39.7	6.4	15.9	–
32	6264-10-15-*-97	84.2	67.5	59.5	42.1	16.7	24.6	0	96.8	92.8	48.4	3.8	21.4	–

Tolerance at X and Y pin holes and screw holes ± 0.1 , at port holes ± 0.2 .

NG	ISO-code	B1	B2	H1	H2	H3	H4	H5	H6	L1	L2	L3	L4	L5	L6
10	6264-06-07-*-97	87.3	33.35	83	21	–	–	62.5	–	25	90.8	–	143	181	144.8
25	6264-08-11-*-97	105	39.7	107.5	29	–	–	87	–	30.9	123	–	143	181	144.8
32	6264-10-15-*-97	120	48.4	120	30	–	–	99.5	–	29.8	143.5	–	143	181	144.8

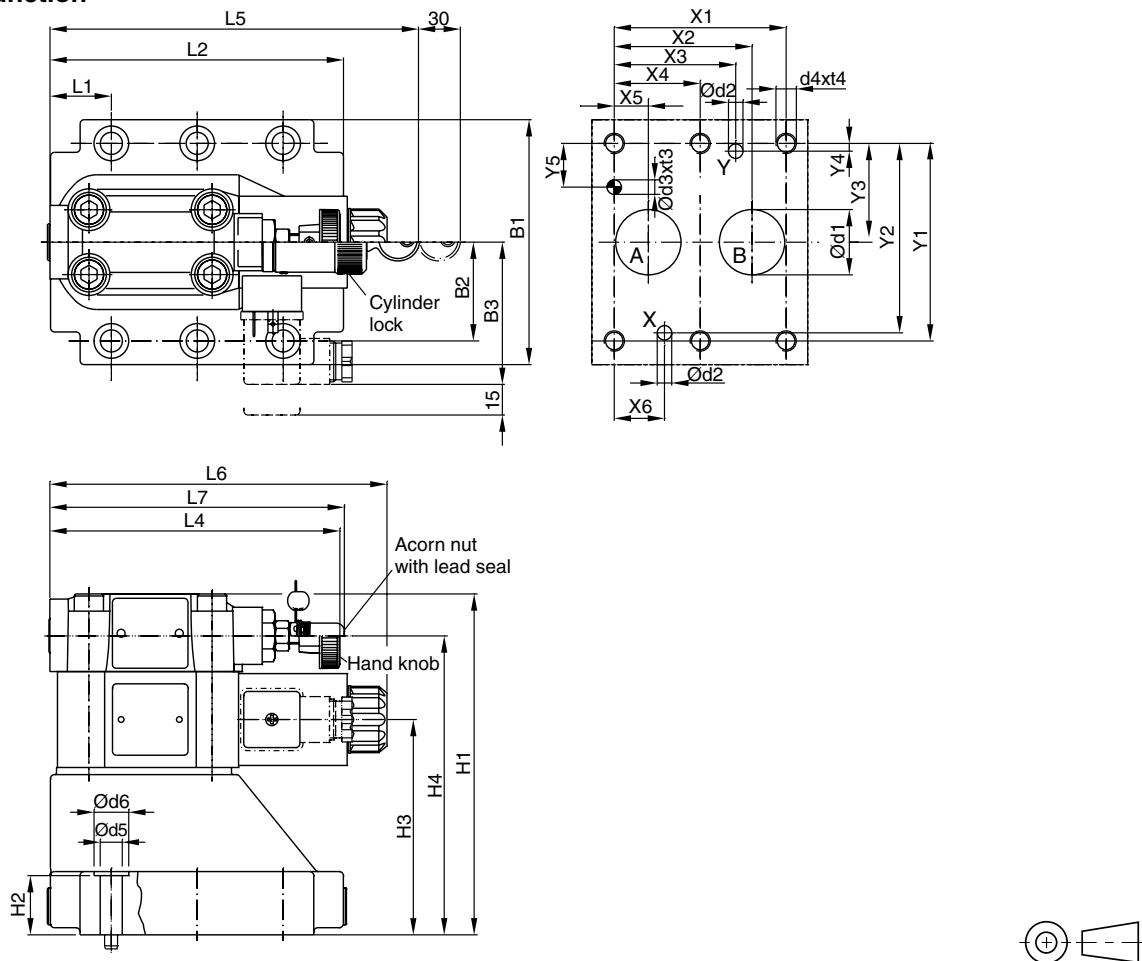
NG	ISO-code	d1max	d2max	d3	t3	d4	t4	d5	d6	Subplate ¹⁾
10	6264-06-07-*-97	15	7	7.1	8	M10	16	10.8	17	SPP 3M6B 910
25	6264-08-11-*-97	23.4	7.1	7.1	8	M10	18	10.8	17	SPP 6M8B 910
32	6264-10-15-*-97	32	7.1	7.1	8	M10	20	10.8	17	SPP 10M12B 910

NG	Kit	Kit	Kit	Kit		Surface finish
				NBR	FPM	
10	BK505	4x M10x35 ISO 4762-12.9	63 Nm ± 15 %	S26-58507-0	S26-58507-5	
25	BK485	4x M10x45 ISO 4762-12.9	63 Nm ± 15 %	S26-58475-0	S26-58475-5	
32	BK506	6x M10x45 ISO 4762-12.9	63 Nm ± 15 %	S26-58508-0	S26-58508-5	

¹⁾ Details see chapter 12, series SPP.

4

R4V with vent function



4

NG	ISO-code	x1	x2	x3	x4	x5	x6	x7	y1	y2	y3	y4	y5	y6
10	6264-06-07-*-97	42.9	35.8	21.5	–	7.2	21.5	0	66.7	58.8	33.4	7.9	14.3	–
25	6264-08-11-*-97	60.3	49.2	39.7	–	11.1	20.6	0	79.4	73	39.7	6.4	15.9	–
32	6264-10-15-*-97	84.2	67.5	59.5	42.1	16.7	24.6	0	96.8	92.8	48.4	3.8	21.4	–

Tolerance at X and Y pin holes and screw holes ±0.1, at port holes ±0.2.

NG	ISO-code	B1	B2	B3	H1	H2	H3	H4	H6	L1	L2	L3	L4	L5	L6	L7
10	6264-06-07-*-97	87.3	33.35	70	130	21	68.5	109.5	–	25	90.8	–	143	181	165.6	144.8
25	6264-08-11-*-97	105	39.7	70	154.5	29	93	134	–	30.9	123	–	143	181	165.6	144.8
32	6264-10-15-*-97	120	48.4	70	167	30	105.5	146.5	–	29.8	143.5	–	143	181	165.6	144.8

NG	ISO-code	d1max	d2max	d3	t3	d4	t4	d5	d6	Subplate ¹⁾
10	6264-06-07-*-97	15	7	7.1	8	M10	16	10.8	17	SPP 3M6B 910
25	6264-08-11-*-97	23.4	7.1	7.1	8	M10	18	10.8	17	SPP 6M8B 910
32	6264-10-15-*-97	32	7.1	7.1	8	M10	20	10.8	17	SPP 10M12B 910

NG	Kit	Kit	Kit	Kit		Surface finish
				NBR	FPM	
10	BK505	4x M10x35 ISO 4762-12.9	63 Nm ±15 %	S26-58507-0 ²⁾	S26-58507-5 ²⁾	
25	BK485	4x M10x45 ISO 4762-12.9	63 Nm ±15 %	S26-58475-0 ²⁾	S26-58475-5 ²⁾	
32	BK506	6x M10x45 ISO 4762-12.9	63 Nm ±15 %	S26-58508-0 ²⁾	S26-58508-5 ²⁾	
VV01, AC solenoid				S26-35237-0	S26-35237-5	
VV01, DC solenoid				S56-40609-0	S56-40609-5	

¹⁾ Details see chapter 12, series SPP.

²⁾ Please combine seal kit of one size with seal kit of VV01 solenoid for complete seal kit.