



**ATLANTIC**  
Fluid Tech

**SECTION  
15**

Solenoid  
Cartridges

**SECTION 15**



**SOLENOID CARTRIDGES**

Hydraulic scheme	Valve description	Valve type	Rated flow (l/min)	Max. pressure (bar)	Installation	Main port size or cavity type	Page
	CEBN-001-NCFN-15	Direct acting, poppet type	1,5	350/500	Cartridge	SAE-08-2N	15.01.010
	CEBD-001-NCFN-15	Direct acting, poppet type	1	350	Cartridge	VP000445	15.01.020
	CEBN-001-NCFN-16	Direct acting, poppet type	1,5	350/500	Cartridge	SAE-08-2N	15.02.030
	CEBD-001-NCFN-16	Direct acting, poppet type	1	350	Cartridge	VP000445	15.02.040
	CEBN-001-NAFN-13	Direct acting, poppet type	1,5	350/500	Cartridge	SAE-08-2N	15.03.050
	CEBD-001-NAFN-13	Direct acting, poppet type	1	350	Cartridge	VP000445	15.03.060
	CEBN-001-NAFN-14	Direct acting, poppet type	1,5	350/500	Cartridge	SAE-08-2N	15.04.070
	CEBD-001-NAFN-14	Direct acting, poppet type	1	350	Cartridge	VP000445	15.04.080
	CEBS-010-NCFN-22	Direct acting, spool type	10	210	Cartridge	SAE-08-2N	15.05.090
	CEBS-010-NAFN-23	Direct acting, spool type	10	210	Cartridge	SAE-08-2N	15.06.100
	CEBD-015-NCFN-21	Direct acting, poppet type	15	210	Cartridge	SAE-08-2N	15.07.110
	CEBP-020-NCFF-01	Pilot operated, poppet type, cable operated	20	250	Cartridge	SAE-08-2N	15.08.120
	CEBN-030-NCFN-01	Pilot operated, poppet type	30	350	Cartridge	SAE-08-2N	15.08.130
	CEBN-040-NCFN-01	Pilot operated, poppet type	40	350/500	Cartridge	SAE-08-2N	15.08.140
	CEBN-070-NCFN-01	Pilot operated, poppet type	70	350/500	Cartridge	SAE-10-2N	15.08.150
	CEBN-100-NCFN-01	Pilot operated, poppet type	100	350/500	Cartridge	VP000057	15.08.160
	CEBN-180-NCFN-01	Pilot operated, poppet type	180	350/500	Cartridge	SAE-12-2N	15.08.170
	CEBN-200-NCFN-01	Pilot operated, poppet type	200	350/500	Cartridge	VP000013	15.08.180
	CEBN-300-NCFN-01	Pilot operated, poppet type	300	350/500	Cartridge	SAE-16-2N	15.08.190
	CEBN-030-NCFN-05	Pilot operated, poppet type	30	350	Cartridge	SAE-08-2N	15.09.200
	CEBN-040-NCFN-05	Pilot operated, poppet type	40	350/500	Cartridge	SAE-08-2N	15.09.210
	CEBN-070-NCFN-05	Pilot operated, poppet type	70	350/500	Cartridge	SAE-10-2N	15.09.220
	CEBN-100-NCFN-05	Pilot operated, poppet type	100	350/500	Cartridge	VP000057	15.09.230
	CEBN-180-NCFN-05	Pilot operated, poppet type	180	350/500	Cartridge	SAE-12-2N	15.09.240
	CEBN-200-NCFN-05	Pilot operated, poppet type	200	350/500	Cartridge	VP000013	15.09.250
	CEBN-300-NCFN-05	Pilot operated, poppet type	300	350/500	Cartridge	SAE-16-2N	15.09.260
		CEBN-040-NCFN-03	Pilot operated, poppet type	40	350/500	Cartridge	SAE-08-2N
CEBN-070-NCFN-03		Pilot operated, poppet type	70	350/500	Cartridge	SAE-10-2N	15.10.280
CEBN-100-NCFN-03		Pilot operated, poppet type	100	350/500	Cartridge	VP000057	15.10.290
CEBN-200-NCFN-03		Pilot operated, poppet type	200	350/500	Cartridge	VP000013	15.10.300
CEBN-300-NCFN-03		Pilot operated, poppet type	300	350/500	Cartridge	SAE-16-2N	15.10.310
		CEBN-030-NAFN-02	Pilot operated, poppet type	30	350	Cartridge	SAE-08-2N
	CEBN-040-NAFN-02	Pilot operated, poppet type	40	350/500	Cartridge	SAE-08-2N	15.11.330
	CEBN-070-NAFN-02	Pilot operated, poppet type	70	350/500	Cartridge	SAE-10-2N	15.11.340
	CEBN-100-NAFN-02	Pilot operated, poppet type	100	350/500	Cartridge	VP000057	15.11.350
	CEBN-180-NAFN-02	Pilot operated, poppet type	180	350/500	Cartridge	SAE-12-2N	15.11.360
	CEBN-200-NAFN-02	Pilot operated, poppet type	200	350/500	Cartridge	VP000013	15.11.370
	CEBN-300-NAFN-02	Pilot operated, poppet type	300	350/500	Cartridge	SAE-16-2N	15.11.380
		CEBN-030-NAFN-06	Pilot operated, poppet type	30	350	Cartridge	SAE-08-2N
CEBN-040-NAFN-06		Pilot operated, poppet type	40	350/500	Cartridge	SAE-08-2N	15.12.400
CEBN-070-NAFN-06		Pilot operated, poppet type	70	350/500	Cartridge	SAE-10-2N	15.12.410
CEBN-100-NAFN-06		Pilot operated, poppet type	100	350/500	Cartridge	VP000057	15.12.420
CEBN-180-NAFN-06		Pilot operated, poppet type	180	350/500	Cartridge	SAE-12-2N	15.12.430
CEBN-200-NAFN-06		Pilot operated, poppet type	200	350/500	Cartridge	VP000013	15.12.440
CEBN-300-NAFN-06		Pilot operated, poppet type	300	350/500	Cartridge	SAE-16-2N	15.12.450

SECTION 15



# SOLENOID CARTRIDGES

Hydraulic scheme	Valve description	Valve type	Rated flow (l/min)	Max. pressure (bar)	Installation	Main port size or cavity type	Page
	CEBN-040-NAFN-04	Pilot operated, poppet type	40	350/500	Cartridge	SAE-08-2N	15.13.460
	CEBN-070-NAFN-04	Pilot operated, poppet type	70	350/500	Cartridge	SAE-10-2N	15.13.470
	CEBN-100-NAFN-04	Pilot operated, poppet type	100	350/500	Cartridge	VP000057	15.13.480
	CEBN-200-NAFN-04	Pilot operated, poppet type	200	350/500	Cartridge	VP000013	15.13.490
	CEBN-300-NAFN-04	Pilot operated, poppet type	300	350/500	Cartridge	SAE-16-2N	15.13.500
	CEBN-040-NCFN-31	Pilot operated, poppet type	40	350/500	Cartridge	SAE-08-2N	15.14.510
	CEBN-070-NCFN-31	Pilot operated, poppet type	70	350/500	Cartridge	SAE-10-2N	15.14.520
	CEBN-100-NCFN-31	Pilot operated, poppet type	100	350/500	Cartridge	VP000057	15.14.530
	CEBN-180-NCFN-31	Pilot operated, poppet type	180	350/500	Cartridge	SAE-12-2N	15.14.540
	CEBN-200-NCFN-31	Pilot operated, poppet type	200	350/500	Cartridge	VP000013	15.14.550
CEBN-300-NCFN-31	Pilot operated, poppet type	300	350/500	Cartridge	SAE-16-2N	15.14.560	
	CEBN-040-NAFN-32	Pilot operated, poppet type	40	350/500	Cartridge	SAE-08-2N	15.15.570
	CEBN-070-NAFN-32	Pilot operated, poppet type	70	350/500	Cartridge	SAE-10-2N	15.15.580
	CEBN-100-NAFN-32	Pilot operated, poppet type	100	350/500	Cartridge	VP000057	15.15.590
	CEBN-180-NAFN-32	Pilot operated, poppet type	180	350/500	Cartridge	SAE-12-2N	15.15.600
	CEBN-200-NAFN-32	Pilot operated, poppet type	200	350/500	Cartridge	VP000013	15.15.610
CEBN-300-NAFN-32	Pilot operated, poppet type	300	350/500	Cartridge	SAE-16-2N	15.15.620	
	CEBN-040-NCDR-100	Pilot operated, proximity sensor	40	350	Cartridge	SAE-08-2N	15.16.630
	CEBN-070-NCDR-100	Pilot operated, proximity sensor	70	350	Cartridge	SAE-10-2N	15.16.640
	CEBN-100-NCDR-100	Pilot operated, proximity sensor	100	350	Cartridge	VP000057	15.16.650
	CEBN-180-NCDR-100	Pilot operated, proximity sensor	180	350	Cartridge	SAE-12-2N	15.16.660
	CEBN-200-NCDR-100	Pilot operated, proximity sensor	200	350	Cartridge	VP000013	15.16.670
CEBN-300-NCDR-100	Pilot operated, proximity sensor	300	350	Cartridge	SAE-16-2N	15.16.680	
	CEBN-040-NADR-101	Pilot operated, proximity sensor	40	350	Cartridge	SAE-08-2N	15.17.690
	CEBN-070-NADR-101	Pilot operated, proximity sensor	70	350	Cartridge	SAE-10-2N	15.17.700
	CEBN-100-NADR-101	Pilot operated, proximity sensor	100	350	Cartridge	VP000057	15.17.710
	CEBN-180-NADR-101	Pilot operated, proximity sensor	180	350	Cartridge	SAE-12-2N	15.17.720
	CEBN-200-NADR-101	Pilot operated, proximity sensor	200	350	Cartridge	VP000013	15.17.730
CEBN-300-NADR-101	Pilot operated, proximity sensor	300	350	Cartridge	SAE-16-2N	15.17.740	
	CEBN-040-NCDR-120	Pilot operated, proximity sensor	40	350	Cartridge	SAE-08-2N	15.18.750
	CEBN-070-NCDR-120	Pilot operated, proximity sensor	70	350	Cartridge	SAE-10-2N	15.18.760
	CEBN-100-NCDR-120	Pilot operated, proximity sensor	100	350	Cartridge	VP000057	15.18.770
	CEBN-180-NCDR-120	Pilot operated, proximity sensor	180	350	Cartridge	SAE-12-2N	15.18.780
	CEBN-200-NCDR-120	Pilot operated, proximity sensor	200	350	Cartridge	VP000013	15.18.790
CEBN-300-NCDR-120	Pilot operated, proximity sensor	300	350	Cartridge	SAE-16-2N	15.18.800	
	CEBN-040-NCDR-121	Pilot operated, proximity sensor	40	350	Cartridge	SAE-08-2N	15.19.810
	CEBN-070-NCDR-121	Pilot operated, proximity sensor	70	350	Cartridge	SAE-10-2N	15.19.820
	CEBN-100-NCDR-121	Pilot operated, proximity sensor	100	350	Cartridge	VP000057	15.19.830
	CEBN-180-NCDR-121	Pilot operated, proximity sensor	180	350	Cartridge	SAE-12-2N	15.19.840
	CEBN-200-NCDR-121	Pilot operated, proximity sensor	200	350	Cartridge	VP000013	15.19.850
CEBN-300-NCDR-121	Pilot operated, proximity sensor	300	350	Cartridge	SAE-16-2N	15.19.860	
	CEBD-040-NAMV	Direct acting, poppet type	40	350	Cartridge	VP000338	15.20.870
	CEBD-040-NACV						
	CEBT-300-NCFN-98	Piloted operated, spool type	300	350	Cartridge	SAE-16-2N	15.21.880
	CEBT-500-NCFN-98	Piloted operated, spool type	500	350	Cartridge	SAE-20-2N	15.21.890
	CEBT-300-NAFN-99	Piloted operated, spool type	300	350	Cartridge	SAE-16-2N	15.22.900
	CEBT-500-NAFN-99	Piloted operated, spool type	500	350	Cartridge	SAE-20-2N	15.22.910
	CEBN-040-NCAN-05	Pneumatic operated, poppet type	40	350	Cartridge	SAE-08-2N	15.23.920
	CEBN-200-NCAN-05	Pneumatic operated, poppet type	200	350	Cartridge	VP000013	15.23.930
	CECS-010-SEFN-61	Direct acting, spool type	10	210	Cartridge	SAE-08-3N	15.24.940

SECTION 15



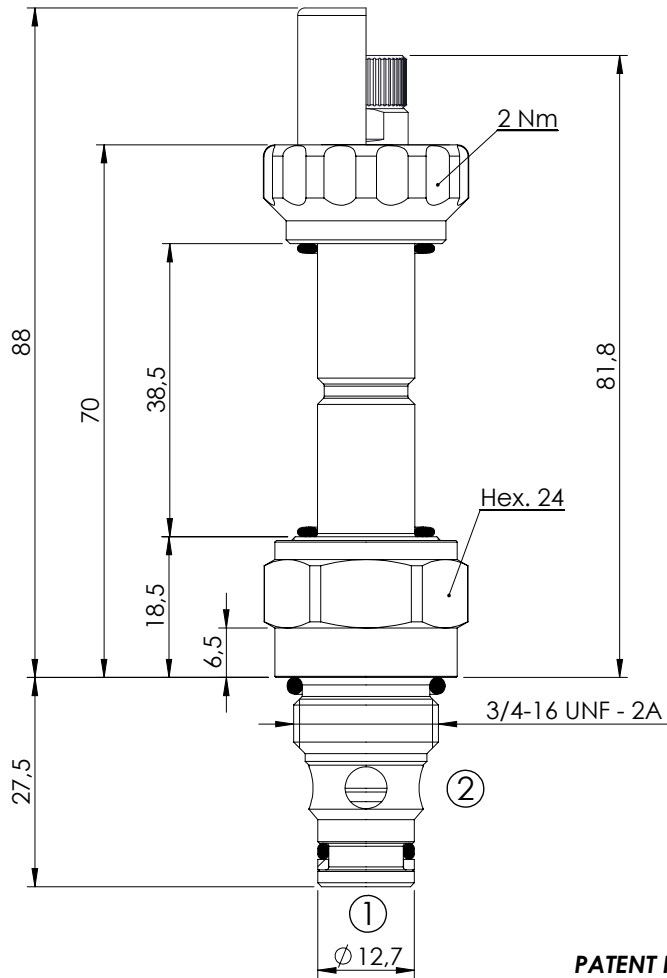
# SOLENOID CARTRIDGES

Hydraulic scheme	Valve description	Valve type	Rated flow (l/min)	Max. pressure (bar)	Installation	Main port size or cavity type	Page
	CECS-010-SEFN-62	Direct acting, spool type	10	210	Cartridge	SAE-08-3N	15.25.950
	CECS-010-SEFN-63	Direct acting, spool type	10	210	Cartridge	SAE-08-3N	15.26.960
	CECS-010-SEFN-64	Direct acting, spool type	10	210	Cartridge	SAE-08-3N	15.27.970
	CEDS-010-SEFN-40	Direct acting, spool type	10	210	Cartridge	SAE-08-4N	15.28.980
	CEDS-010-SEFN-49	Direct acting, spool type	10	210	Cartridge	SAE-08-4N	15.29.990
	CEDS-010-SEFN-41	Direct acting, spool type	10	210	Cartridge	SAE-08-4N	15.30.1000
	CEDS-010-SEFN-43	Direct acting, spool type	10	210	Cartridge	SAE-08-4N	15.31.1010
	CEES-010-SEFN-51	Direct acting, spool type	10	210	Cartridge	SAE-08-4N	15.32.1020
	CEES-010-SEFN-52	Direct acting, spool type	10	210	Cartridge	SAE-08-4N	15.33.1030
	CEES-010-SEFN-53	Direct acting, spool type	10	210	Cartridge	SAE-08-4N	15.34.1040
	CEES-010-SEFN-54	Direct acting, spool type	10	210	Cartridge	SAE-08-4N	15.35.1050

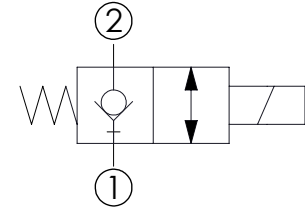
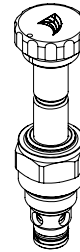
**SOLENOID OPERATED CARTRIDGE**

**CEBD-001-NCFN**

**DIRECT OPERATED  
POPPET TYPE**



PATENT PENDING

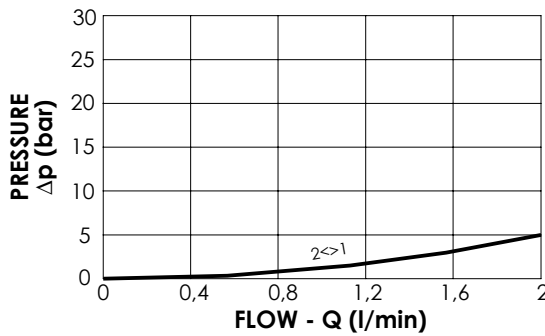


**SPECIFICATIONS**

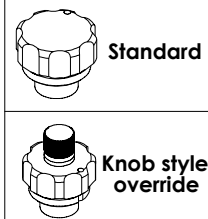
Max. operating pressure:	350/500 bar
Rated flow:	1,5 l/min
Cavity:	SAE-08-2N
Weight:	0,14 kg
Min. voltage required:	90% of nominal
Coil type:	M7 type
Seal kit:	RA900081

**NOTES**

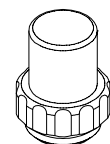
Installation torque: 45 - 50 Nm



**OPTIONS**



**SEALING CAP**



Ordering code:  
AT000113

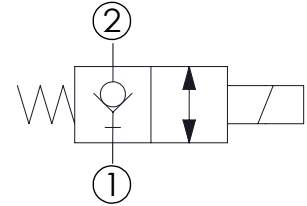
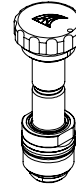
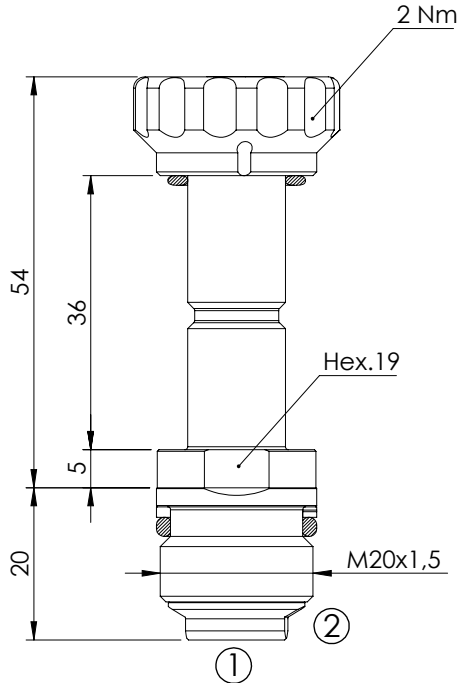
**ORDERING CODES**

Quick code	Description	Options	Max operating pressure (bar)
CE000200	CEBD-001-NCFN-15-S08-N350	Standard	350
CE000201	CEBD-001-NCFK-15-S08-N350	Knob style override	350
CE000500	CEBD-001-NCFN-15-S08-N500	Standard	500
CE000501	CEBD-001-NCFK-15-S08-N500	Knob style override	500

**SOLENOID OPERATED CARTRIDGE**

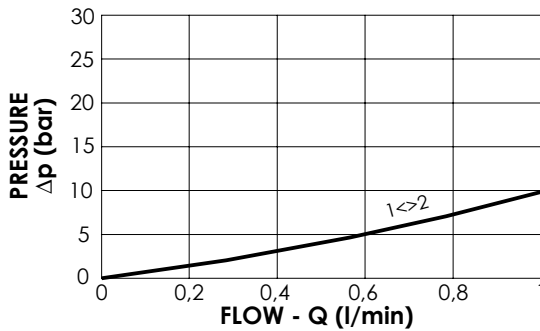
**CEBN-001-NCFN**

**DIRECT OPERATED  
POPPET TYPE**



**SPECIFICATIONS**

Max. operating pressure:	350 bar
Rated flow:	1 l/min
Cavity:	VP000445
Weight:	0,1 kg
Min. voltage required:	90% of nominal
Coil type:	M7 type
Seal kit:	RC700445



**NOTES**

Installation torque: 40 - 45 Nm

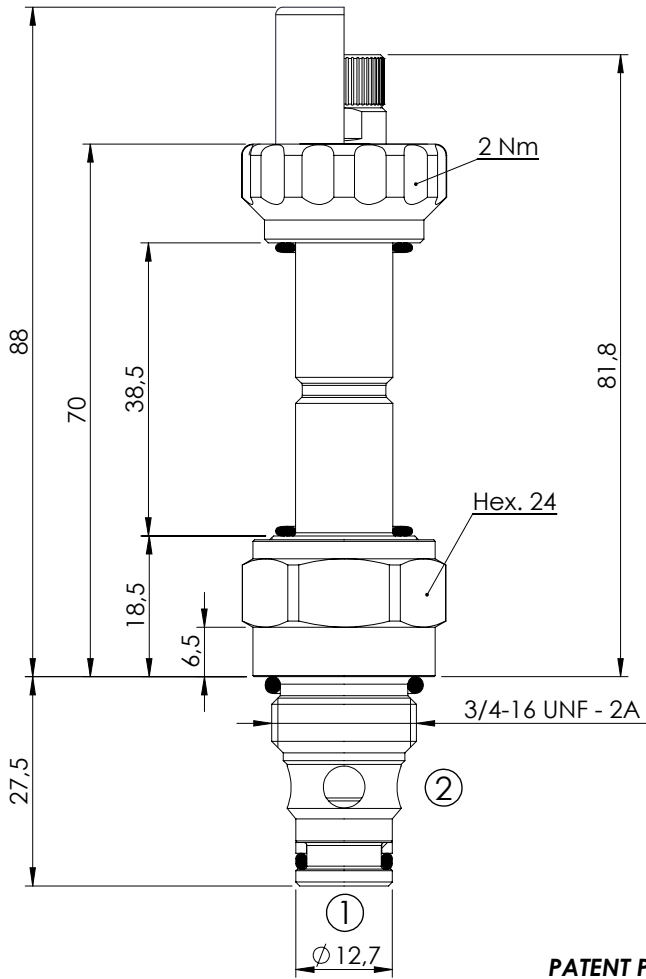
**ORDERING CODES**

Quick code	Description	Max operating pressure (bar)	
CE000870	CEBN-001-NCFN-15-445-N350	350	

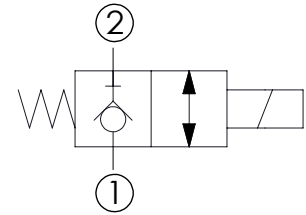
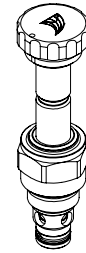
**SOLENOID OPERATED CARTRIDGE**

**CEBD-001-NCFN**

**DIRECT OPERATED  
POPPET TYPE**



PATENT PENDING

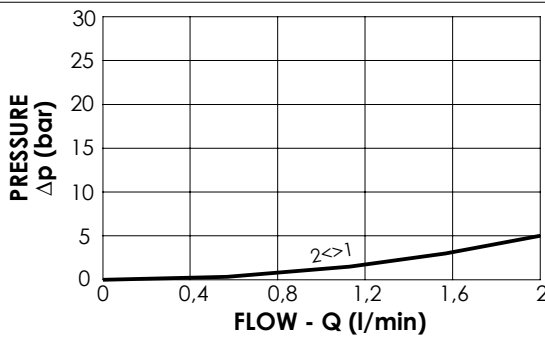


**SPECIFICATIONS**

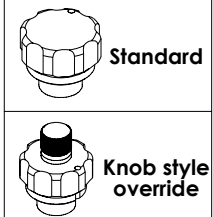
Max. operating pressure:	350/500 bar
Rated flow:	1,5 l/min
Cavity:	SAE-08-2N
Weight:	0,14 kg
Min. voltage required:	90% of nominal
Coil type:	M7 type
Seal kit:	RA900081

**NOTES**

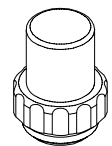
Installation torque: 45 - 50 Nm



**OPTIONS**



**SEALING CAP**



Ordering code:  
AT000113

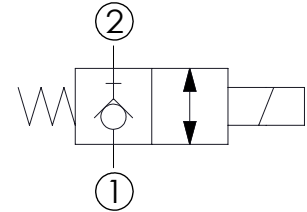
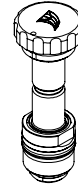
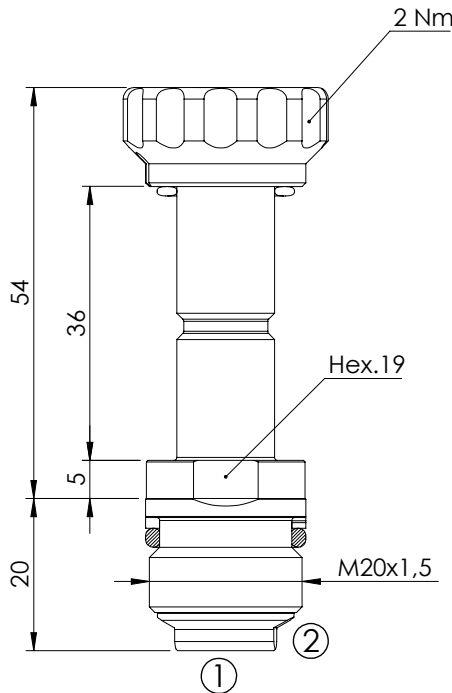
**ORDERING CODES**

Quick code	Description	Options	Max operating pressure (bar)
CE000202	CEBD-001-NCFN-16-S08-N350	Standard	350
CE000203	CEBD-001-NCFK-16-S08-N350	Knob style override	350
CE000502	CEBD-001-NCFN-16-S08-N500	Standard	500
CE000503	CEBD-001-NCFK-16-S08-N500	Knob style override	500

SOLENOID OPERATED CARTRIDGE

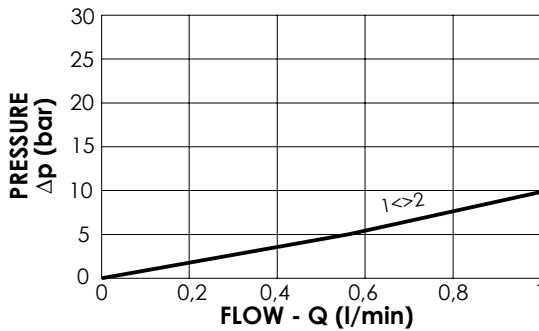
**CEBN-001-NCFN**

**DIRECT OPERATED  
POPPET TYPE**



**SPECIFICATIONS**

Max. operating pressure:	350 bar
Rated flow:	1 l/min
Cavity:	VP000445
Weight:	0,1 kg
Min. voltage required:	90% of nominal
Coil type:	M7 type
Seal kit:	RC700445



**NOTES**

Installation torque: **40 - 45 Nm**

**ORDERING CODES**

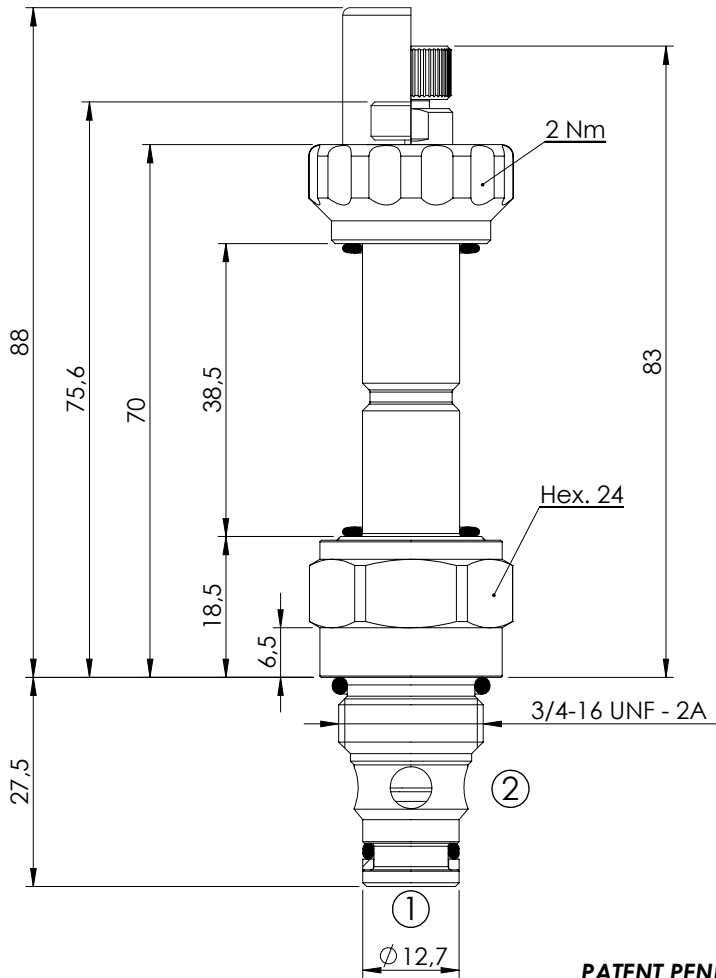
Quick code	Description	Max operating pressure (bar)	
CE000871	CEBN-001-NCFN-16-445-N350	350	



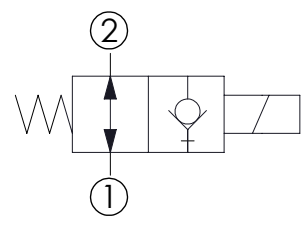
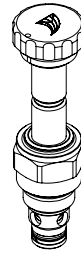
**SOLENOID OPERATED CARTRIDGE**

**CEBD-001-NAFN**

**DIRECT OPERATED  
POPPET TYPE**



PATENT PENDING

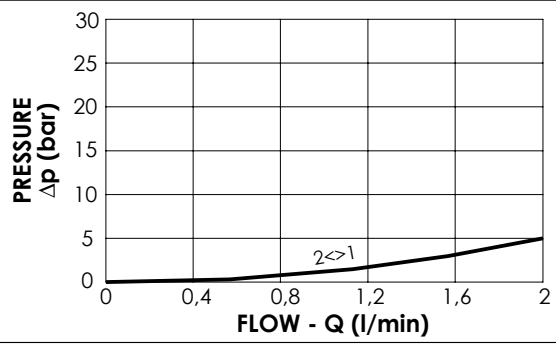


**SPECIFICATIONS**

Max. operating pressure:	350/500 bar
Rated flow:	1,5 l/min
Cavity:	SAE-08-2N
Weight:	0,14 kg
Min. voltage required:	90% of nominal
Coil type:	M7 type
Seal kit:	RA900081

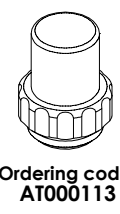
**NOTES**

Installation torque: 45 - 50 Nm



**OPTIONS      SEALING CAP**

- Standard
- Push style override
- Knob style override



Ordering code: AT000113

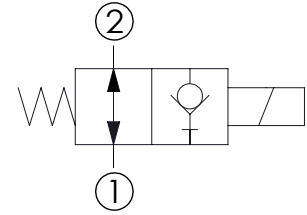
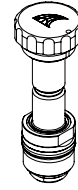
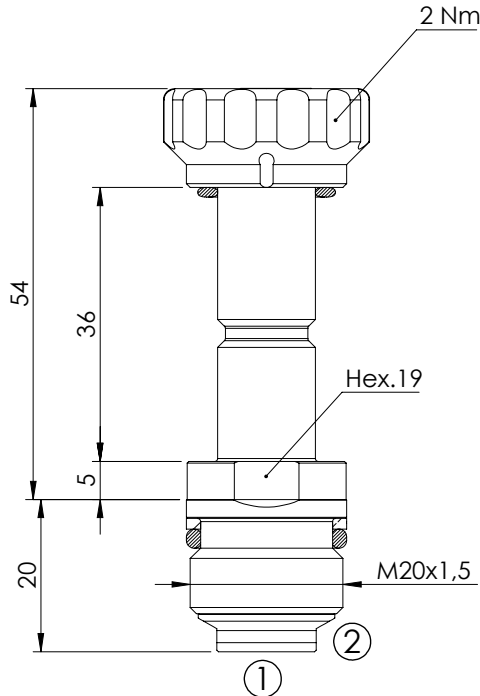
**ORDERING CODES**

Quick code	Description	Options	Max operating pressure (bar)
CE000204	CEBD-001-NAFN-13-S08-N350	Standard	350
CE000205	CEBD-001-NAFP-13-S08-N350	Push style override	350
CE000206	CEBD-001-NAFK-13-S08-N350	Knob style override	350
CE000504	CEBD-001-NAFN-13-S08-N500	Standard	500
CE000505	CEBD-001-NAFP-13-S08-N500	Push style override	500
CE000506	CEBD-001-NAFK-13-S08-N500	Knob style override	500

SOLENOID OPERATED CARTRIDGE

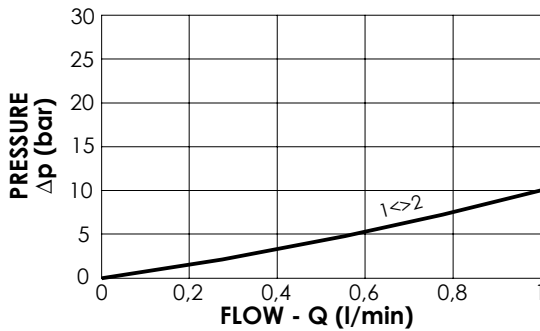
**CEBN-001-NAFN**

**DIRECT OPERATED  
POPPET TYPE**



**SPECIFICATIONS**

Max. operating pressure:	350 bar
Rated flow:	1 l/min
Cavity:	VP000445
Weight:	0,1 kg
Min. voltage required:	90% of nominal
Coil type:	M7 type
Seal kit:	RC700445



**NOTES**

Installation torque: 40 - 45 Nm

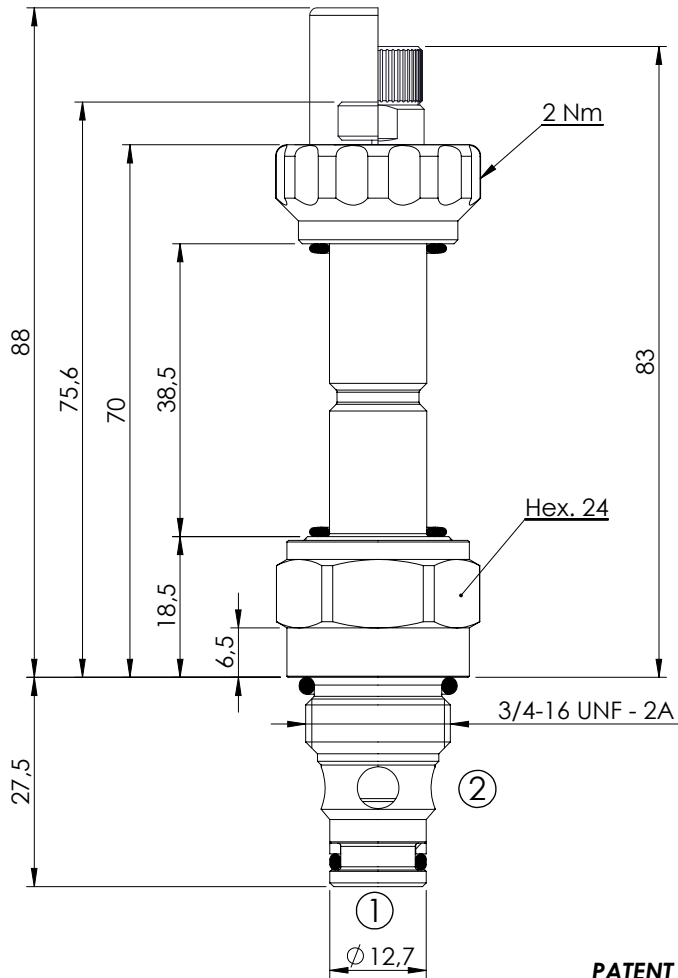
**ORDERING CODES**

Quick code	Description	Max operating pressure (bar)	
CE000872	CEBN-001-NAFN-13-445-N350	350	

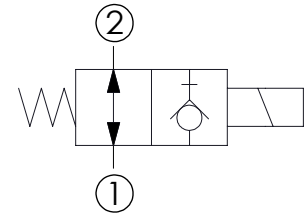
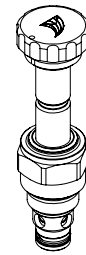
**SOLENOID OPERATED CARTRIDGE**

**CEBD-001-NAFN**

**DIRECT OPERATED  
POPPET TYPE**



PATENT PENDING

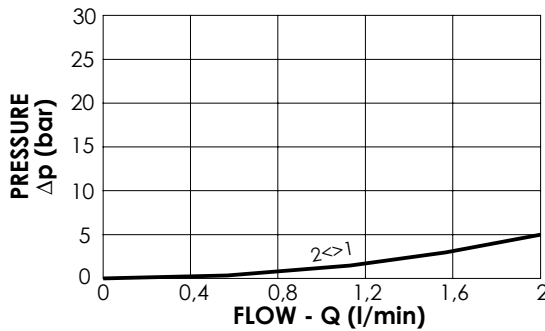


**SPECIFICATIONS**

Max. operating pressure:	350/500 bar
Rated flow:	1,5 l/min
Cavity:	SAE-08-2N
Weight:	0,15 kg
Min. voltage required:	90% of nominal
Coil type:	M7 type
Seal kit:	RA900081

**NOTES**

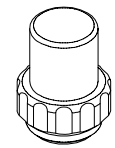
Installation torque: 45 - 50 Nm



**OPTIONS**

- Standard
- Push style override
- Knob style override

**SEALING CAP**



Ordering code:  
AT000113

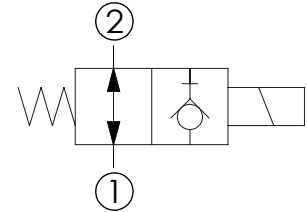
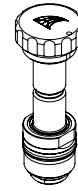
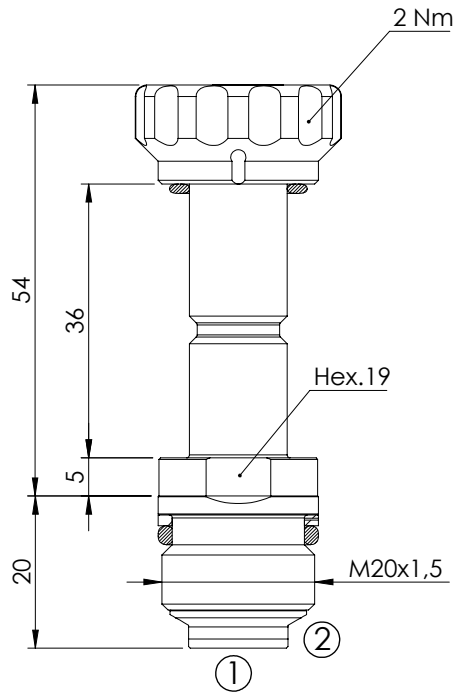
**ORDERING CODES**

Quick code	Description	Options	Max operating pressure (bar)
CE000207	CEBD-001-NAFN-14-S08-N350	Standard	350
CE000208	CEBD-001-NAFP-14-S08-N350	Push style override	350
CE000209	CEBD-001-NAFK-14-S08-N350	Knob style override	350
CE000507	CEBD-001-NAFN-14-S08-N500	Standard	500
CE000508	CEBD-001-NAFP-14-S08-N500	Push style override	500
CE000509	CEBD-001-NAFK-14-S08-N500	Knob style override	500

**SOLENOID OPERATED CARTRIDGE**

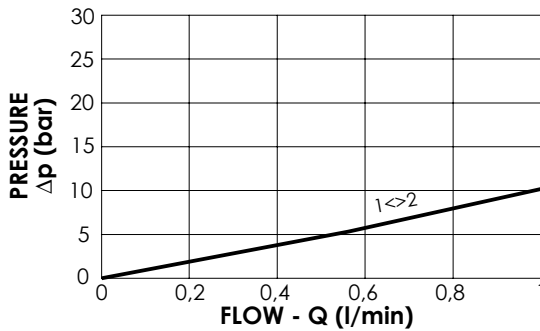
**CEBN-001-NAFN**

**DIRECT OPERATED  
POPPET TYPE**



**SPECIFICATIONS**

Max. operating pressure:	350 bar
Rated flow:	1 l/min
Cavity:	VP000445
Weight:	0,1 kg
Min. voltage required:	90% of nominal
Coil type:	M7 type
Seal kit:	RC700445



**NOTES**

Installation torque: **40 - 45 Nm**

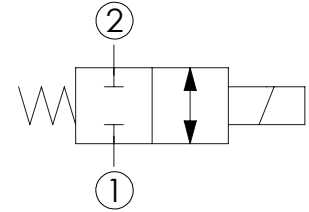
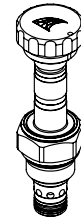
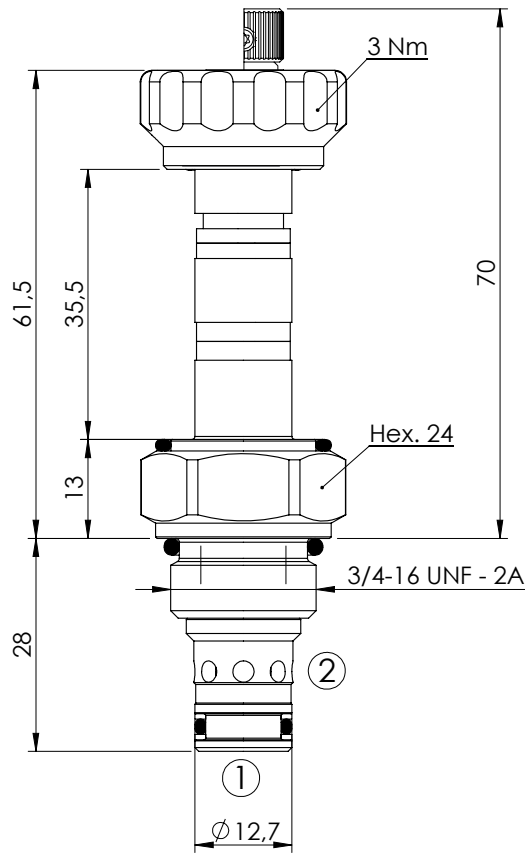
**ORDERING CODES**

Quick code	Description	Max operating pressure (bar)	
CE000873	CEBN-001-NAFN-14-445-N350	350	

**SOLENOID OPERATED CARTRIDGE**

**CEBS-010-NCFN**

**DIRECT OPERATED  
SPOOL TYPE**



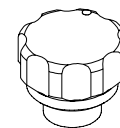
**SPECIFICATIONS**

Max. operating pressure:	210 bar
Rated flow:	10 l/min
Cavity:	SAE-08-2N
Weight:	0,12 kg
Min. voltage required:	90% of nominal
Coil type:	M7 type
Seal kit:	RB700081

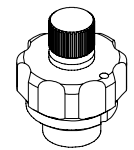
**NOTES**

Installation torque: **45 - 50 Nm**

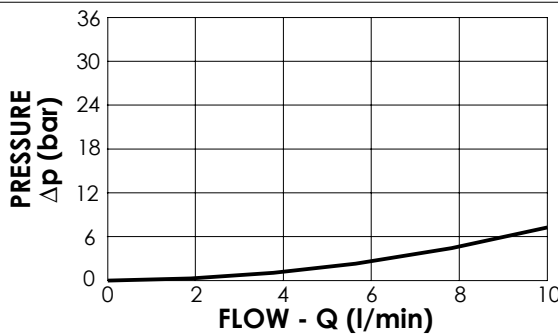
**OPTIONS**



Standard



Knob style  
override



**ORDERING CODES**

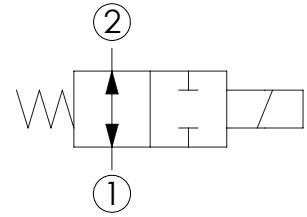
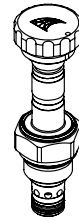
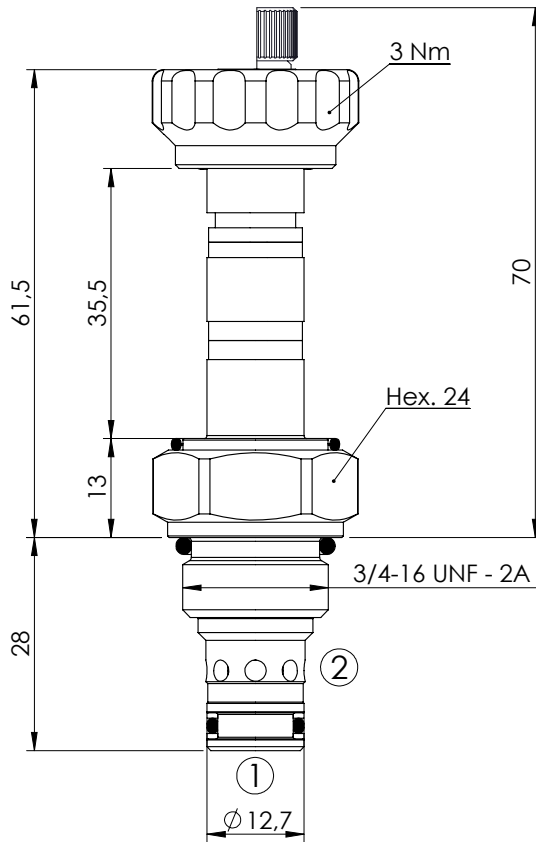
Quick code	Description	Options	
CE000092	CEBS-010-NCFN-22-S08-N210	Standard	
CE000093	CEBS-010-NCFE-22-S08-N210	Knob style override	

**SOLENOID OPERATED CARTRIDGE**



**CEBS-010-NAFN**

**DIRECT OPERATED  
SPOOL TYPE**



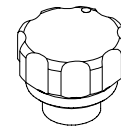
**SPECIFICATIONS**

Max. operating pressure:	210 bar
Rated flow:	10 l/min
Cavity:	SAE-08-2N
Weight:	0,12 kg
Min. voltage required:	90% of nominal
Coil type:	M7 type
Seal kit:	RB700081

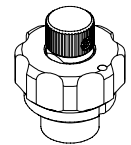
**NOTES**

Installation torque: 45 - 50 Nm

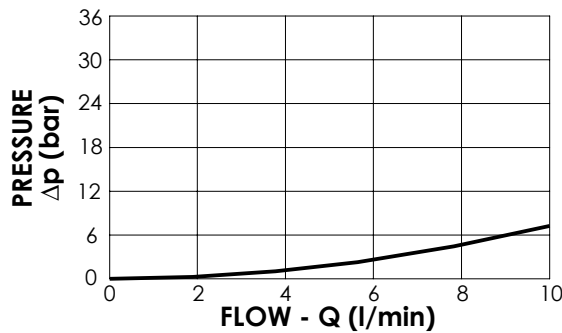
**OPTIONS**



Standard



Knob style  
override



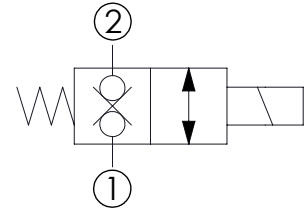
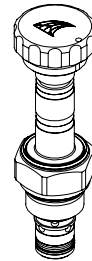
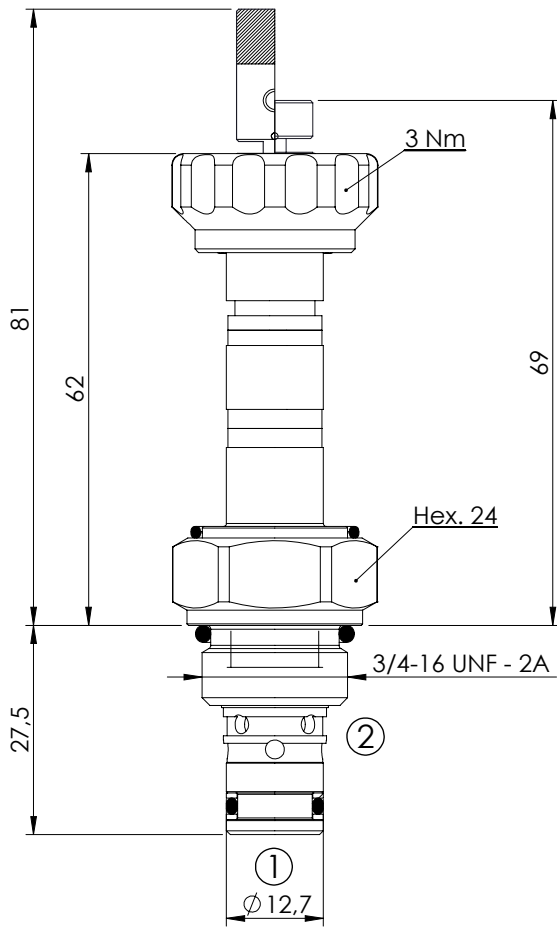
**ORDERING CODES**

Quick code	Description	Options	
CE000090	CEBS-010-NAFN-23-S08-N210	Standard	
CE000091	CEBS-010-NAFE-23-S08-N210	Knob style override	

**SOLENOID OPERATED CARTRIDGE**

**CEBD-015-NCFN**

**DIRECT OPERATED  
POPPET TYPE**



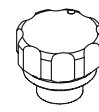
**SPECIFICATIONS**

Max. operating pressure:	210 bar
Rated flow:	15 l/min
Cavity:	SAE-08-2N
Weight:	0,12 kg
Min. voltage required:	90% of nominal
Coil type:	M7 type
Seal kit:	RB700081

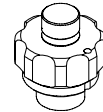
**NOTES**

Installation torque: **45 - 50 Nm**

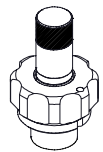
**OPTIONS**



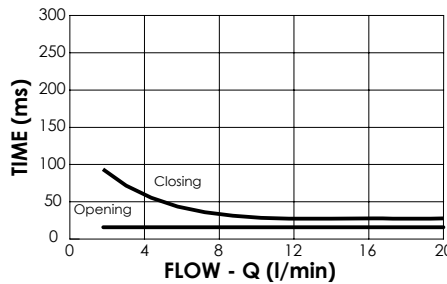
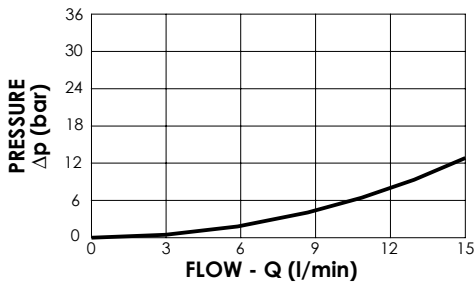
Standard



Push style  
override



Push and twist  
style override



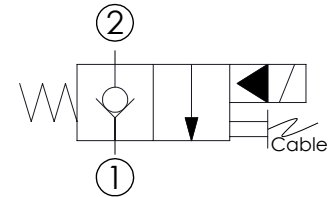
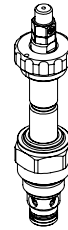
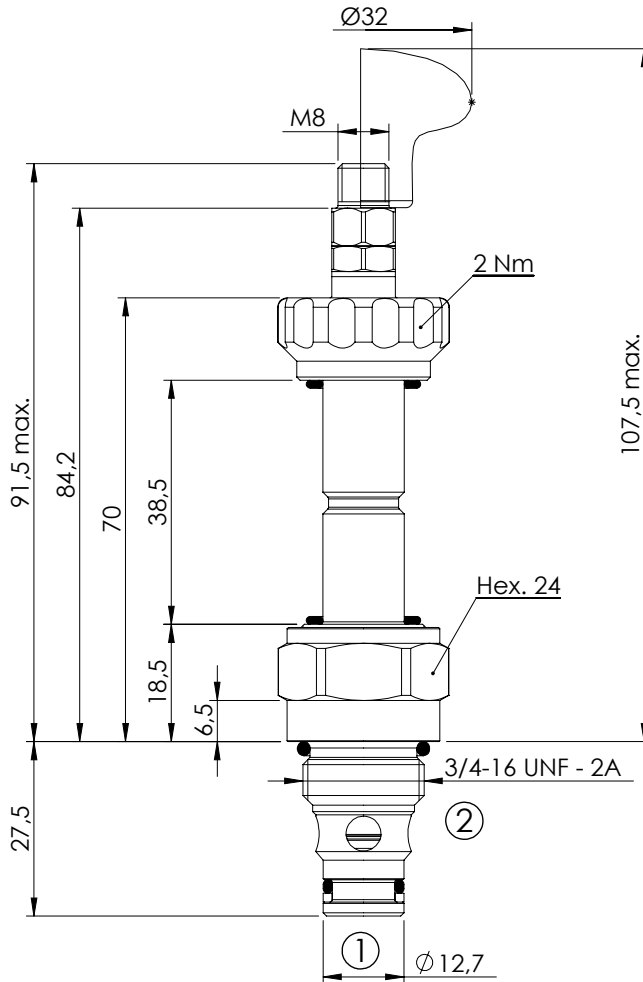
**ORDERING CODES**

Quick code	Description	Options	
CE000062	CEBD-015-NCFN-21-S08-N210	Standard	
CE000063	CEBD-015-NCFE-21-S08-N210	Push style override	
CE000905	CEBD-015-NCFE-21-S08-N210-T	Push and twist style override	

**SOLENOID OPERATED CARTRIDGE**

**CEBN-040-NCFF**

**PILOT OPERATED  
POPPET TYPE**



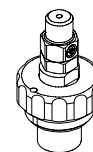
**SPECIFICATIONS**

Max. operating pressure:	350 bar
Rated flow:	40 l/min
Cavity:	SAE-08-2N
Weight:	0,16 kg
Min. voltage required:	90% of nominal
Coil type:	M7 type
Seal kit:	RA900081

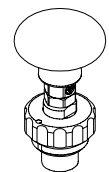
**NOTES**

Installation torque: 45 - 50 Nm

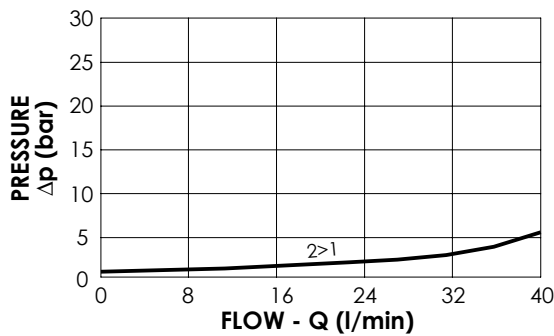
**OPTIONS**



Cable Operated



Hand Operated



**ORDERING CODES**

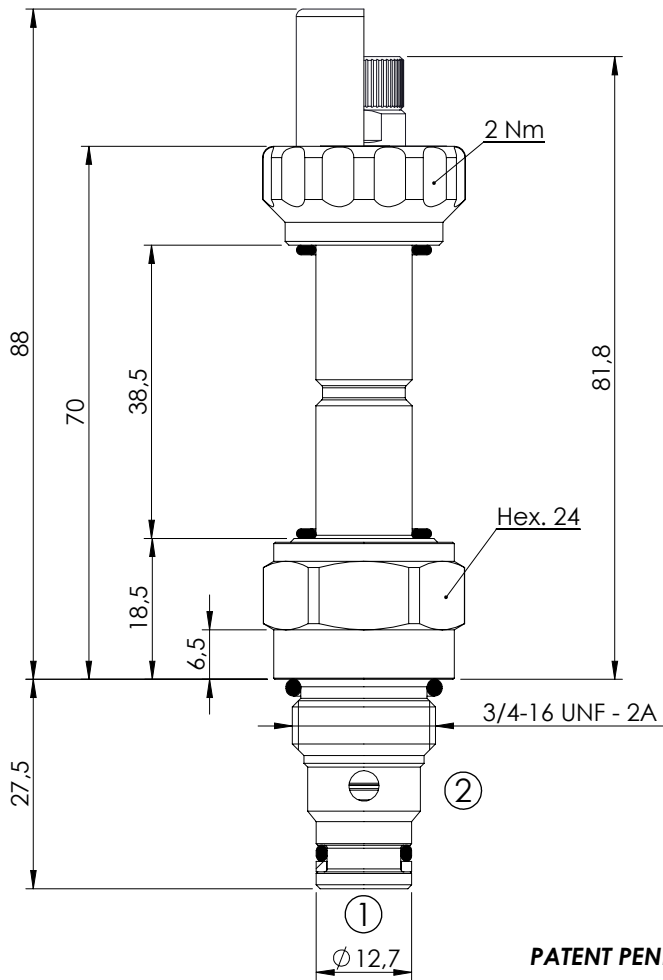
Quick code	Description	Options		
CE000470	CEBN-040-NCFF-01-S08-N350	Cable Operated		
CE000799	CEBN-040-NCFM-01-S08-N350	Hand Operated		



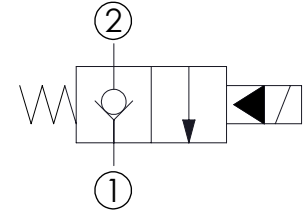
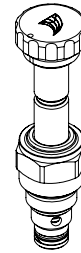
**SOLENOID OPERATED CARTRIDGE**

**CEBN-030-NCFN**

**PILOT OPERATED  
POPPET TYPE**



PATENT PENDING

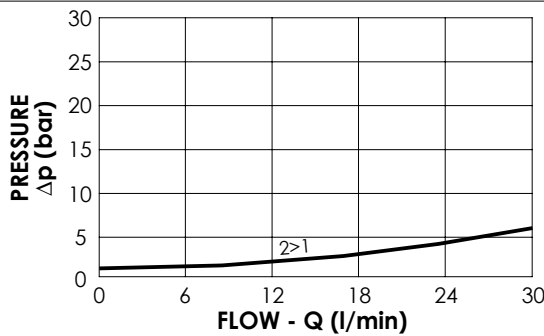


**SPECIFICATIONS**

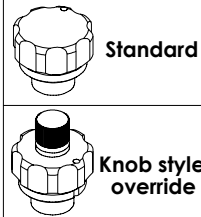
Max. operating pressure:	350 bar
Rated flow:	30 l/min
Cavity:	SAE-08-2N
Weight:	0,15 kg
Min. voltage required:	90% of nominal
Coil type:	M7 type
Seal kit:	RA900081

**NOTES**

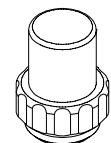
Installation torque: 45 - 50 Nm



**OPTIONS**



**SEALING CAP**



Ordering code:  
AT000113

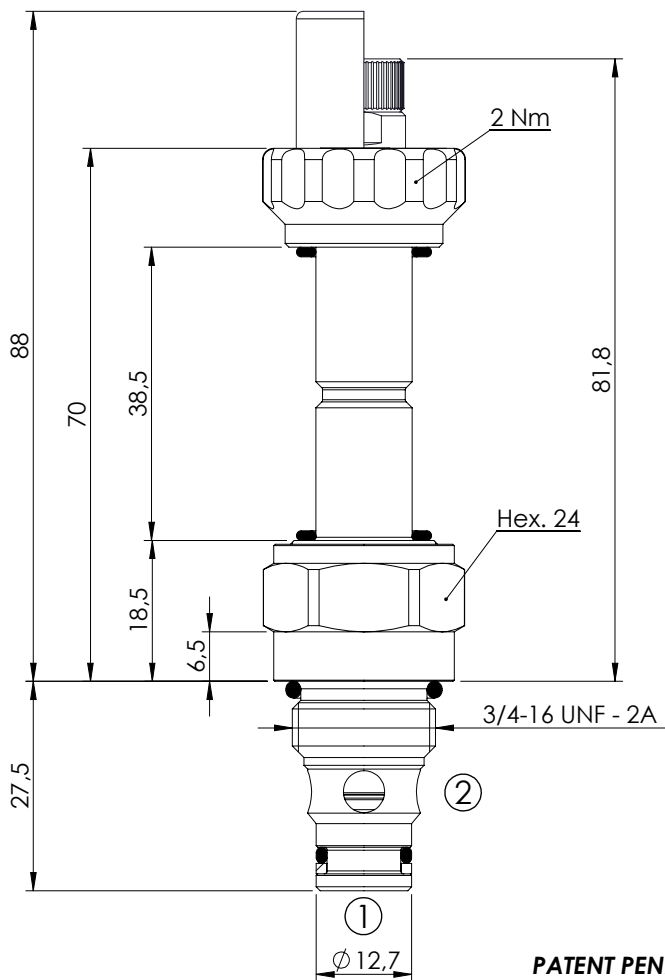
**ORDERING CODES**

Quick code	Description	Options	Max operating pressure (bar)
CE000455	CEBN-030-NCFN-01-S08-N350	Standard	350
CE000456	CEBN-030-NCFK-01-S08-N350	Knob style override	350

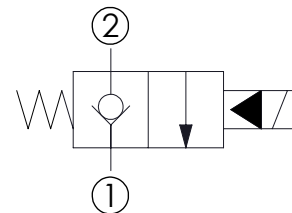
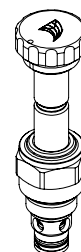
**SOLENOID OPERATED CARTRIDGE**

**CEBN-040-NCFN**

**PILOT OPERATED  
POPPET TYPE**



PATENT PENDING



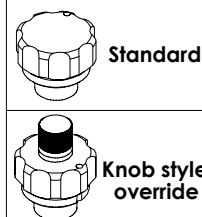
**SPECIFICATIONS**

Max. operating pressure:	350/500 bar
Rated flow:	40 l/min
Cavity:	SAE-08-2N
Weight:	0,14 kg
Min. voltage required:	90% of nominal
Coil type:	M7 type
Seal kit:	RA900081

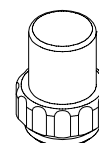
**NOTES**

Installation torque: 45 - 50 Nm

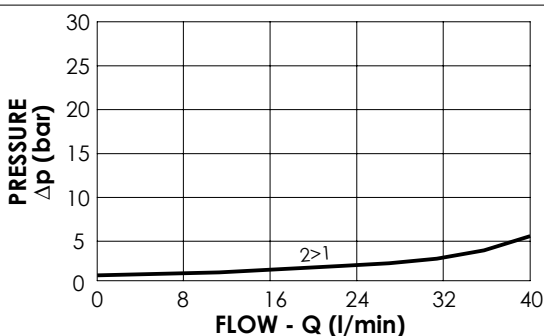
**OPTIONS**



**SEALING CAP**



Ordering code:  
AT000113



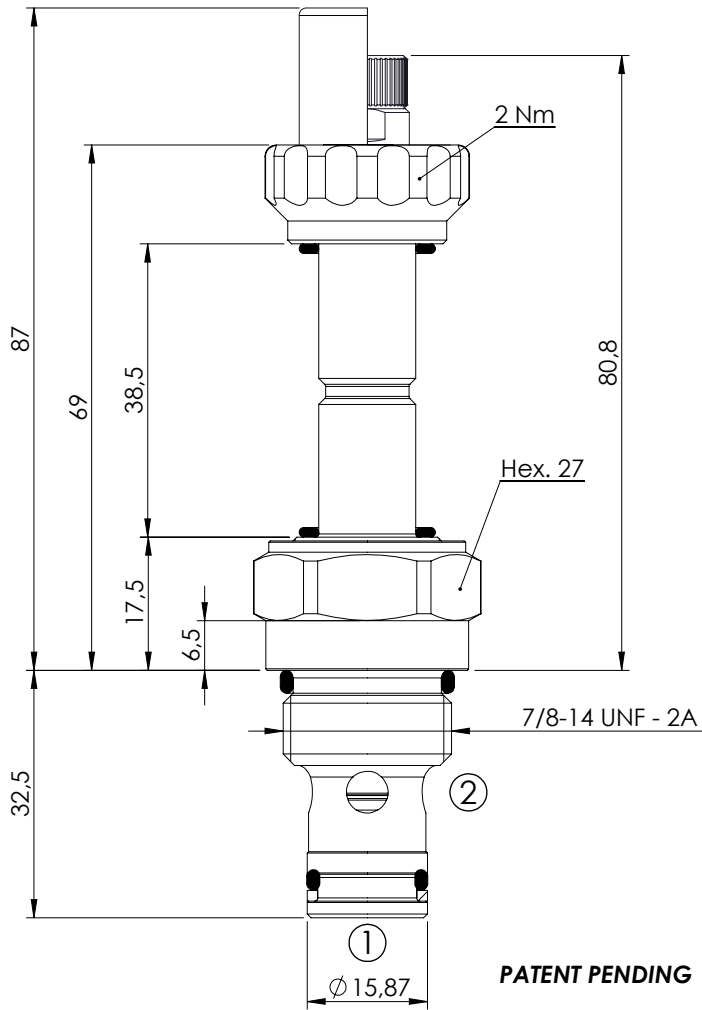
**ORDERING CODES**

Quick code	Description	Options	Max operating pressure (bar)
CE000210	CEBN-040-NCFN-01-S08-N350	Standard	350
CE000212	CEBN-040-NCFK-01-S08-N350	Knob style override	350
CE000510	CEBN-040-NCFN-01-S08-N500	Standard	500
CE000512	CEBN-040-NCFK-01-S08-N500	Knob style override	500

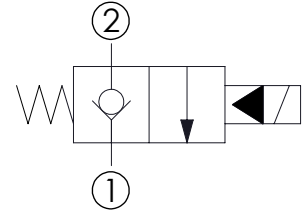
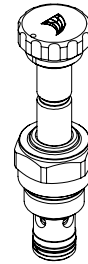
**SOLENOID OPERATED CARTRIDGE**

**CEBN-070-NCFN**

**PILOT OPERATED  
POPPET TYPE**



PATENT PENDING

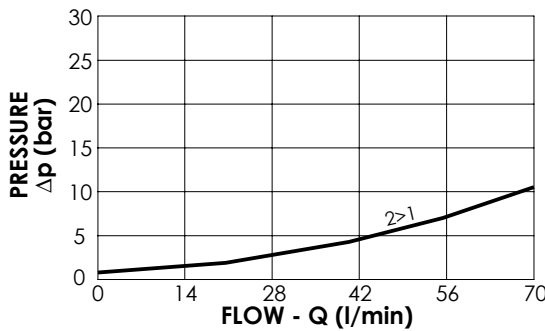


**SPECIFICATIONS**

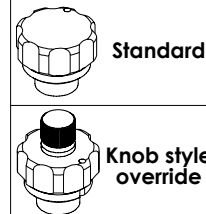
Max. operating pressure:	350/500 bar
Rated flow:	70 l/min
Cavity:	SAE-10-2N
Weight:	0,18 kg
Min. voltage required:	90% of nominal
Coil type:	M7 type
Seal kit:	RA900082

**NOTES**

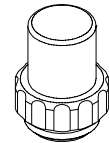
Installation torque: 55 - 62 Nm



**OPTIONS**



**SEALING CAP**



Ordering code:  
AT000113

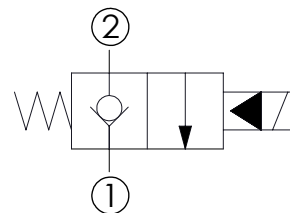
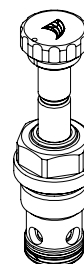
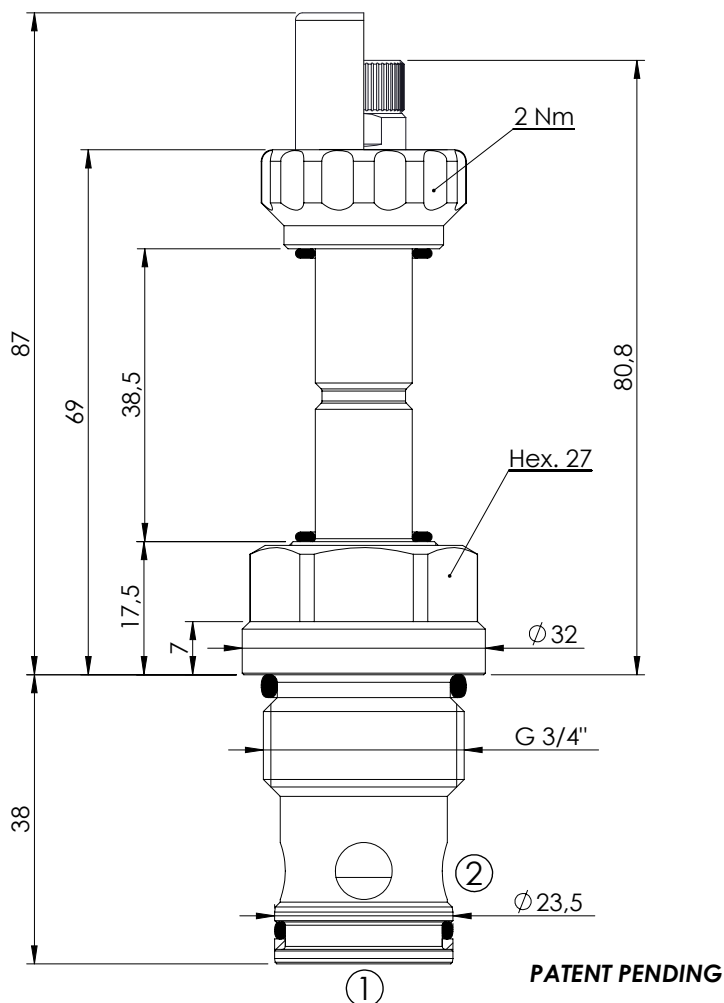
**ORDERING CODES**

Quick code	Description	Options	Max operating pressure (bar)
CE000245	CEBN-070-NCFN-01-S10-N350	Standard	350
CE000247	CEBN-070-NCFK-01-S10-N350	Knob style override	350
CE000545	CEBN-070-NCFN-01-S10-N500	Standard	500
CE000547	CEBN-070-NCFK-01-S10-N500	Knob style override	500

**SOLENOID OPERATED CARTRIDGE**

**CEBN-100-NCFN**

**PILOT OPERATED  
POPPET TYPE**



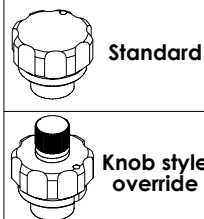
**SPECIFICATIONS**

Max. operating pressure:	350/500 bar
Rated flow:	100 l/min
Cavity:	VP000057
Weight:	0,25 kg
Min. voltage required:	90% of nominal
Coil type:	M7 type
Seal kit:	RC900057

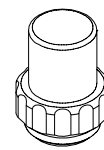
**NOTES**

Installation torque: 110 - 130 Nm

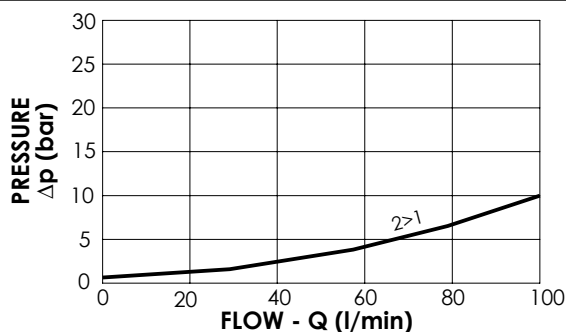
**OPTIONS**



**SEALING CAP**



Ordering code:  
AT000113



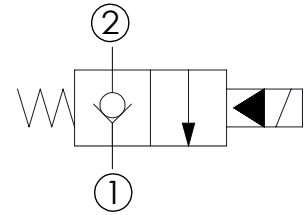
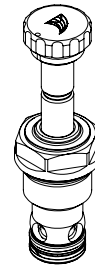
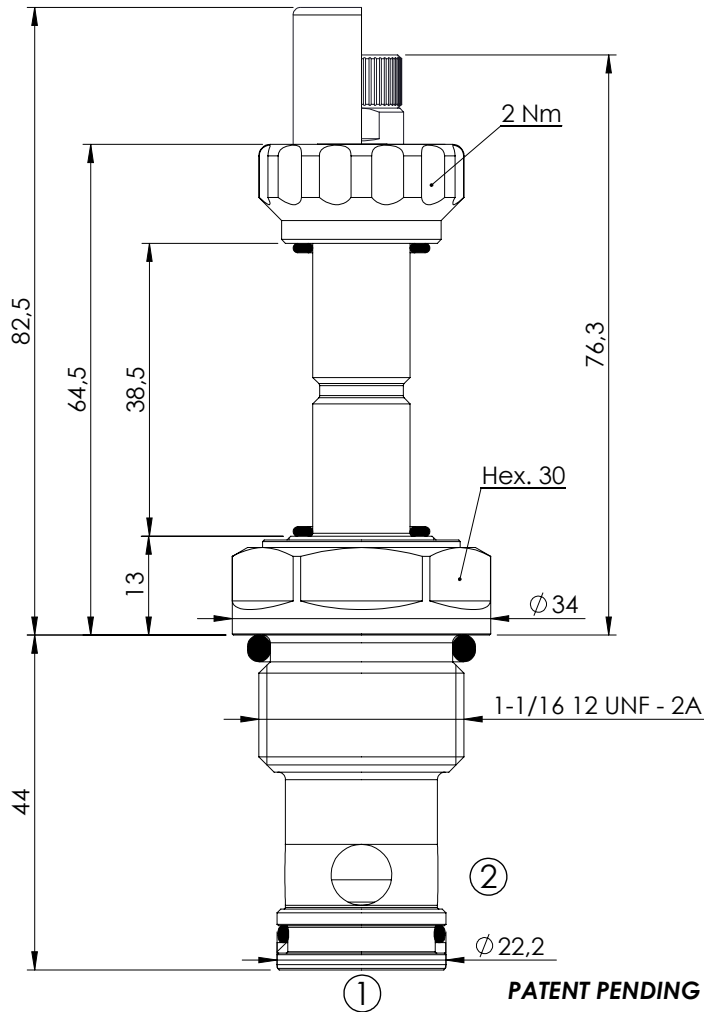
**ORDERING CODES**

Quick code	Description	Options	Max operating pressure (bar)
CE000280	CEBN-100-NCFN-01-057-N350	Standard	350
CE000282	CEBN-100-NCFK-01-057-N350	Knob style override	350
CE000580	CEBN-100-NCFN-01-057-N500	Standard	500
CE000582	CEBN-100-NCFK-01-057-N500	Knob style override	500

SOLENOID OPERATED CARTRIDGE

**CEBN-180-NCFN**

PILOT OPERATED  
POPPET TYPE

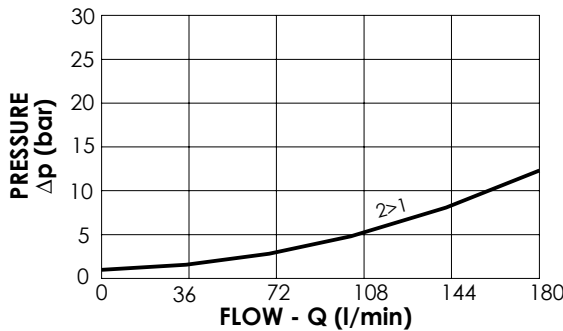


**SPECIFICATIONS**

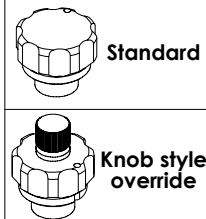
Max. operating pressure:	350/500 bar
Rated flow:	180 l/min
Cavity:	SAE-12-2N
Weight:	0,25 kg
Min. voltage required:	90% of nominal
Coil type:	M7 type
Seal kit:	RA900083

**NOTES**

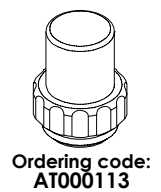
Installation torque: 135 - 150 Nm



**OPTIONS**



**SEALING CAP**



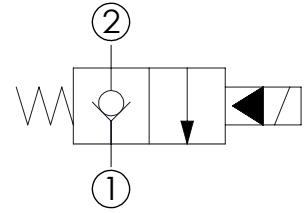
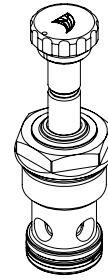
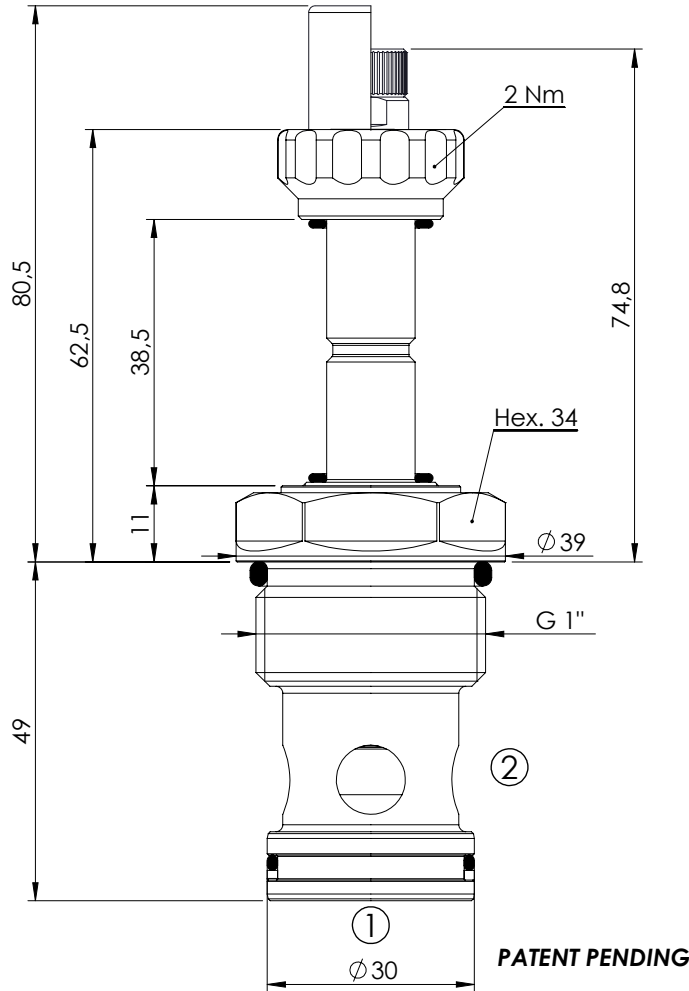
**ORDERING CODES**

Quick code	Description	Options	Max operating pressure (bar)
CE000315	CEBN-180-NCFN-01-S12-N350	Standard	350
CE000317	CEBN-180-NCFK-01-S12-N350	Knob style override	350
CE000615	CEBN-180-NCFN-01-S12-N500	Standard	500
CE000617	CEBN-180-NCFK-01-S12-N500	Knob style override	500

**SOLENOID OPERATED CARTRIDGE**

**CEBN-200-NCFN**

**PILOT OPERATED  
POPPET TYPE**

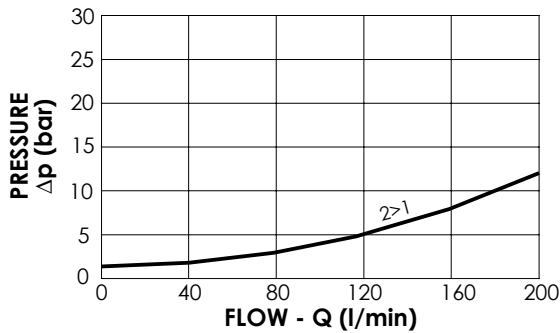


**SPECIFICATIONS**

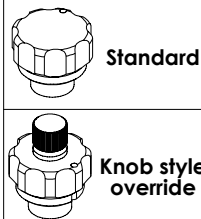
Max. operating pressure:	350/500 bar
Rated flow:	200 l/min
Cavity:	VP000013
Weight:	0,35 kg
Min. voltage required:	90% of nominal
Coil type:	M7 type
Seal kit:	RC900013

**NOTES**

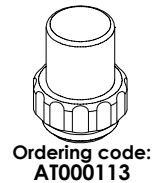
Installation torque: 135 - 150 Nm



**OPTIONS**



**SEALING CAP**



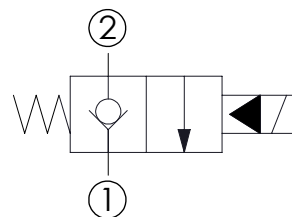
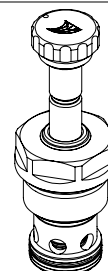
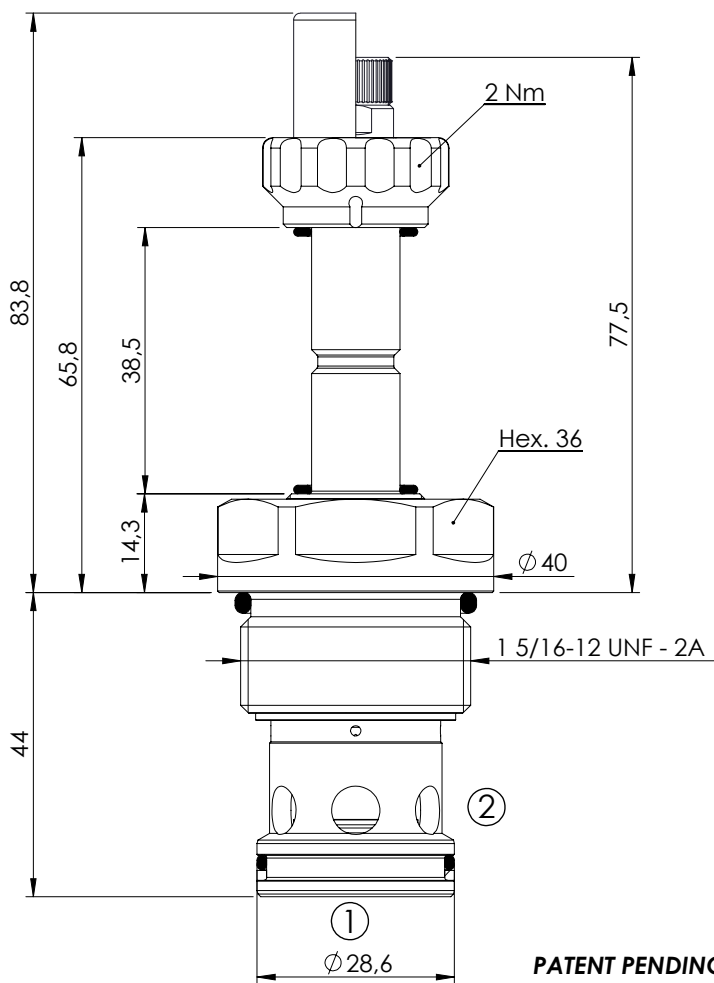
**ORDERING CODES**

Quick code	Description	Options	Max operating pressure (bar)
CE000350	CEBN-200-NCFN-01-013-N350	Standard	350
CE000352	CEBN-200-NCFK-01-013-N350	Knob style override	350
CE000650	CEBN-200-NCFN-01-013-N500	Standard	500
CE000652	CEBN-200-NCFK-01-013-N500	Knob style override	500

**SOLENOID OPERATED CARTRIDGE**

**CEBN-300-NCFN**

**PILOT OPERATED  
POPPET TYPE**



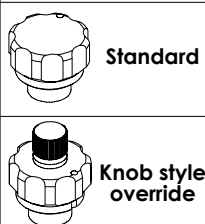
**SPECIFICATIONS**

Max. operating pressure:	350/500 bar
Rated flow:	300 l/min
Cavity:	SAE-16-2N
Weight:	0,36 kg
Min. voltage required:	90% of nominal
Coil type:	M7 type
Seal kit:	RA900084

**NOTES**

Installation torque: 118 - 132 Nm

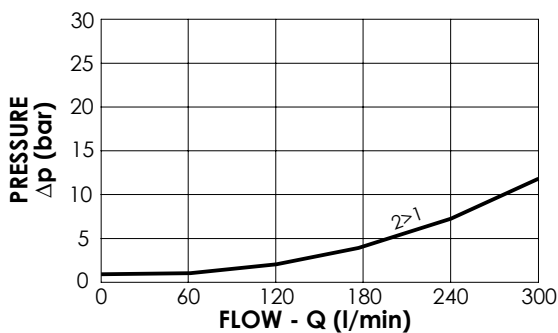
**OPTIONS**



**SEALING CAP**



Ordering code: AT000113



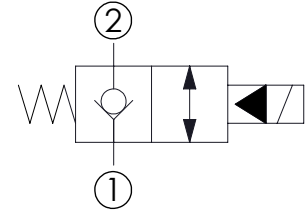
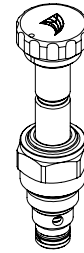
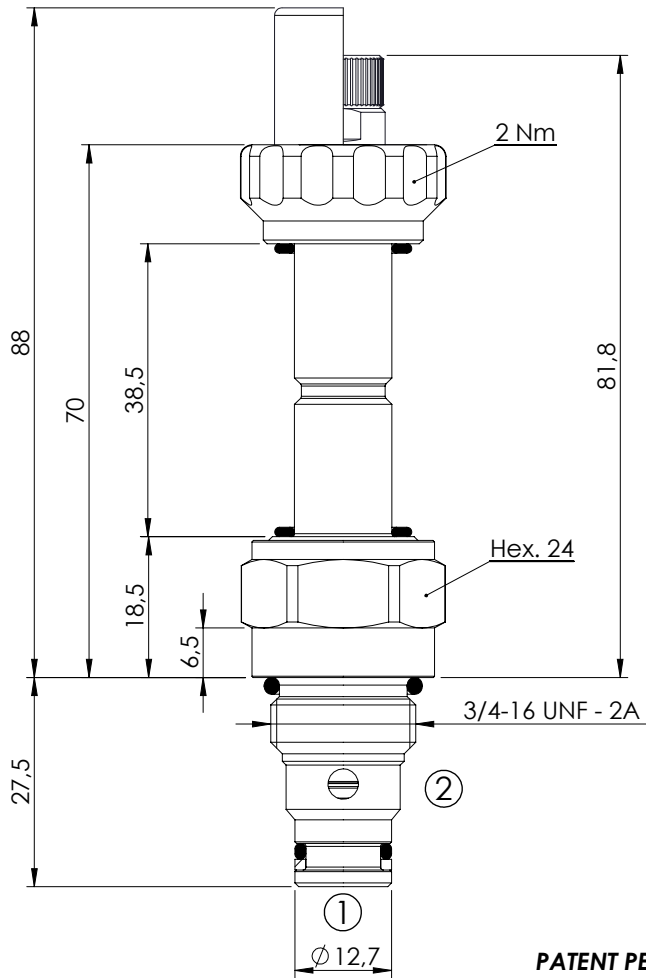
**ORDERING CODES**

Quick code	Description	Options	Max operating pressure (bar)
CE000385	CEBN-300-NCFN-01-S16-N350	Standard	350
CE000387	CEBN-300-NCFK-01-S16-N350	Knob style override	350
CE000685	CEBN-300-NCFN-01-S16-N500	Standard	500
CE000687	CEBN-300-NCFK-01-S16-N500	Knob style override	500

**SOLENOID OPERATED CARTRIDGE**

**CEBN-030-NCFN**

**PILOT OPERATED  
POPPET TYPE**

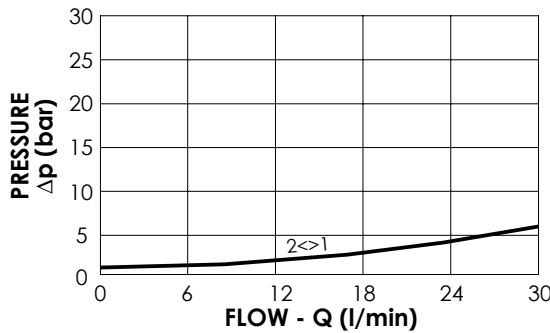


**SPECIFICATIONS**

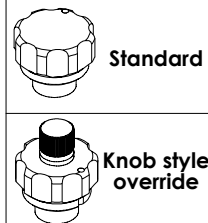
Max. operating pressure:	350 bar
Rated flow:	30 l/min
Cavity:	SAE-08-2N
Weight:	0,15 kg
Min. voltage required:	90% of nominal
Coil type:	M7 type
Seal kit:	RA900081

**NOTES**

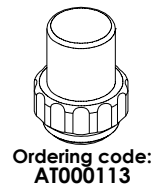
Installation torque: 45 - 50 Nm



**OPTIONS**



**SEALING CAP**



**ORDERING CODES**

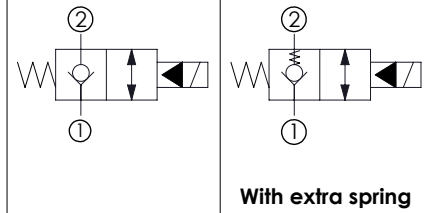
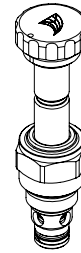
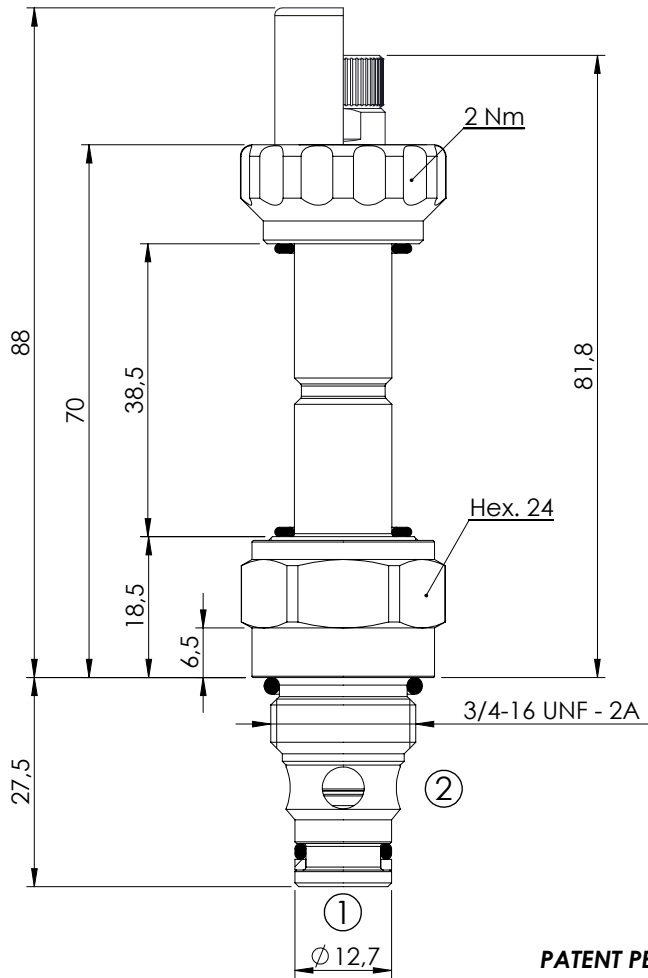
Quick code	Description	Options	Max operating pressure (bar)
CE000457	CEBN-030-NCFN-05-S08-N350	Standard	350
CE000458	CEBN-030-NCFK-05-S08-N350	Knob style override	350



**SOLENOID OPERATED CARTRIDGE**

**CEBN-040-NCFN**

**PILOT OPERATED  
POPPET TYPE**

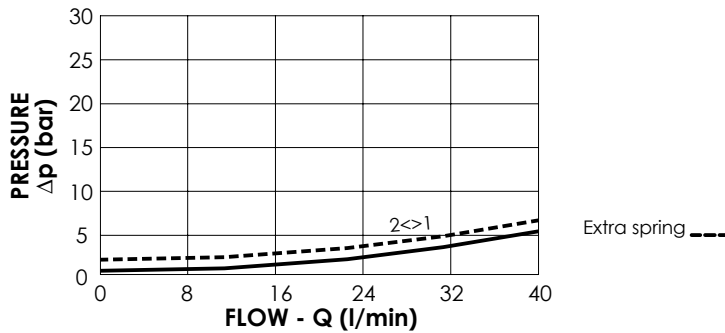


**SPECIFICATIONS**

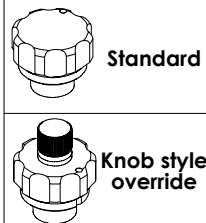
Max. operating pressure:	350/500 bar
Rated flow:	40 l/min
Cavity:	SAE-08-2N
Weight:	0,14 kg
Min. voltage required:	90% of nominal
Coil type:	M7 type
Seal kit:	RA900081

**NOTES**

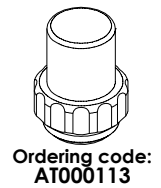
Installation torque: 45 - 50 Nm



**OPTIONS**



**SEALING CAP**



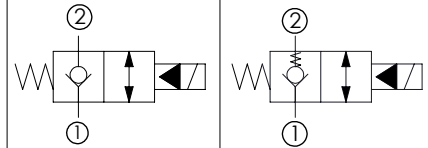
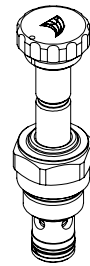
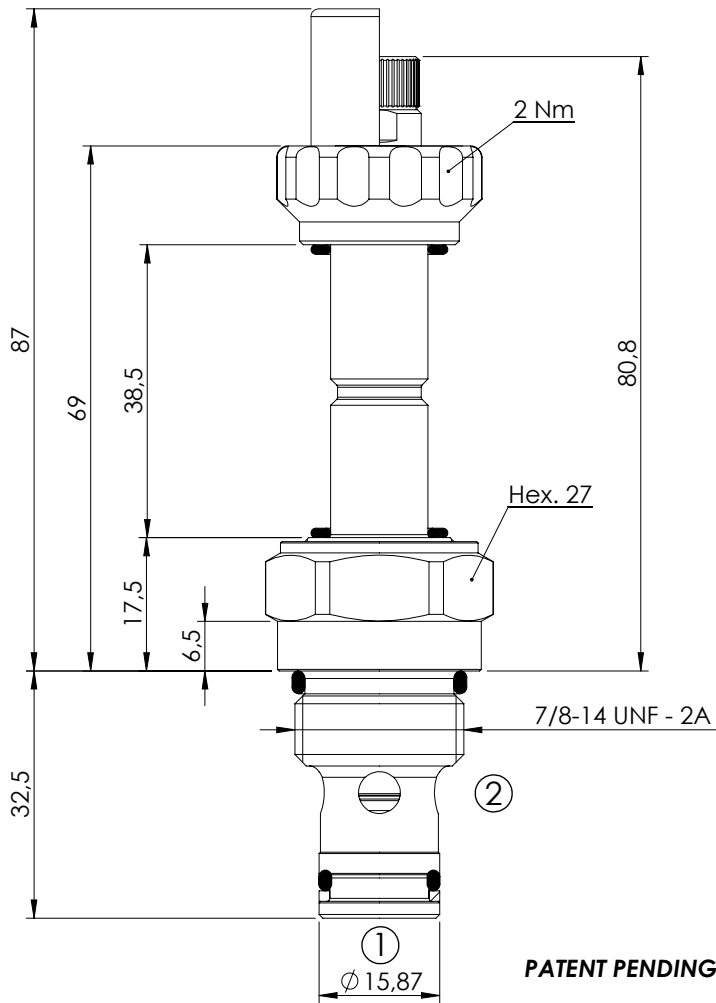
**ORDERING CODES**

Quick code	Description	Options	Max operating pressure (bar)	Extra Spring
CE000218	CEBN-040-NCFN-05-S08-N350	Standard	350	No
CE000220	CEBN-040-NCFK-05-S08-N350	Knob style override	350	No
CE000219	CEBN-040-XCFN-05-S08-N350	Standard	350	Yes
CE000221	CEBN-040-XCFK-05-S08-N350	Knob style override	350	Yes
CE000518	CEBN-040-NCFN-05-S08-N500	Standard	500	No
CE000520	CEBN-040-NCFK-05-S08-N500	Knob style override	500	No

**SOLENOID OPERATED CARTRIDGE**

**CEBN-070-NCFN**

**PILOT OPERATED  
POPPET TYPE**



With extra spring

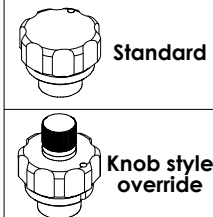
**SPECIFICATIONS**

Max. operating pressure:	350/500 bar
Rated flow:	70 l/min
Cavity:	SAE-10-2N
Weight:	0,18 kg
Min. voltage required:	90% of nominal
Coil type:	M7 type
Seal kit:	RA900082

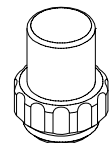
**NOTES**

Installation torque: 55 - 62 Nm

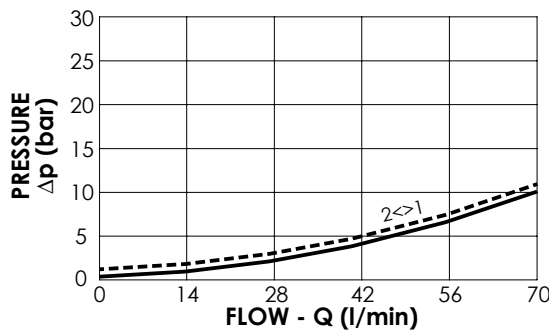
**OPTIONS**



**SEALING CAP**



Ordering code:  
AT000113



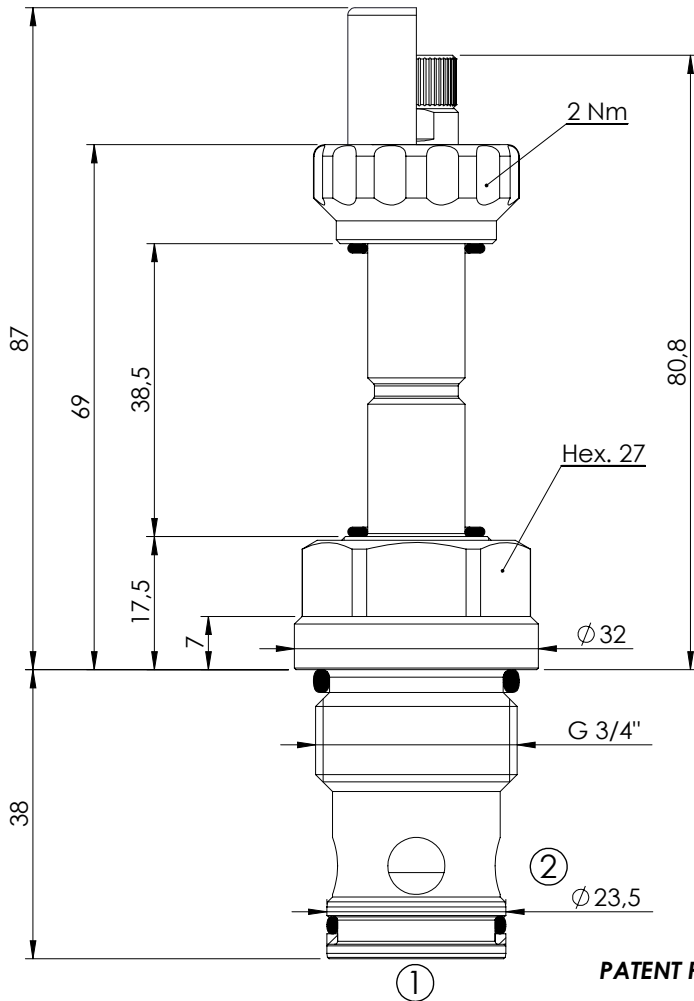
**ORDERING CODES**

Quick code	Description	Options	Max operating pressure (bar)	Extra Spring
CE000253	CEBN-070-NCFN-05-S10-N350	Standard	350	No
CE000255	CEBN-070-NCFK-05-S10-N350	Knob style override	350	No
CE000254	CEBN-070-XCFN-05-S10-N350	Standard	350	Yes
CE000256	CEBN-070-XCFK-05-S10-N350	Knob style override	350	Yes
CE000553	CEBN-070-NCFN-05-S10-N500	Standard	500	No
CE000555	CEBN-070-NCFK-05-S10-N500	Knob style override	500	No

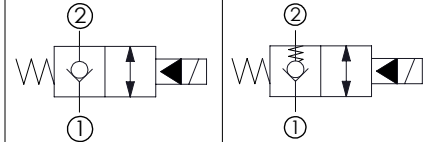
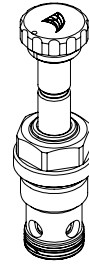
**SOLENOID OPERATED CARTRIDGE**

**CEBN-100-NCFN**

**PILOT OPERATED  
POPPET TYPE**



PATENT PENDING



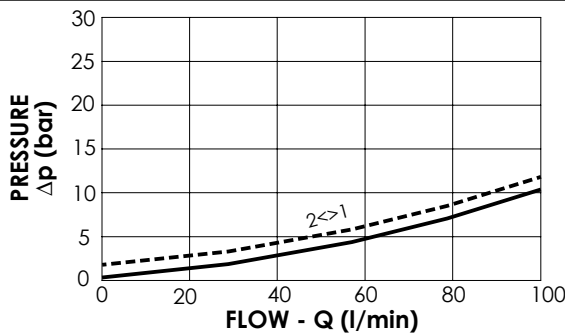
With extra spring

**SPECIFICATIONS**

Max. operating pressure:	350/500 bar
Rated flow:	100 l/min
Cavity:	VP000057
Weight:	0,25 kg
Min. voltage required:	90% of nominal
Coil type:	M7 type
Seal kit:	RC900057

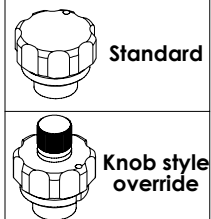
**NOTES**

Installation torque: 110 - 130 Nm

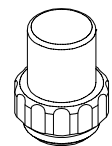


Extra spring - - -

**OPTIONS**



**SEALING CAP**



Ordering code:  
AT000113

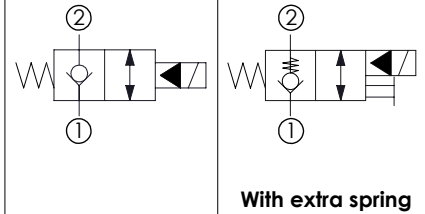
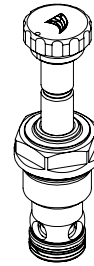
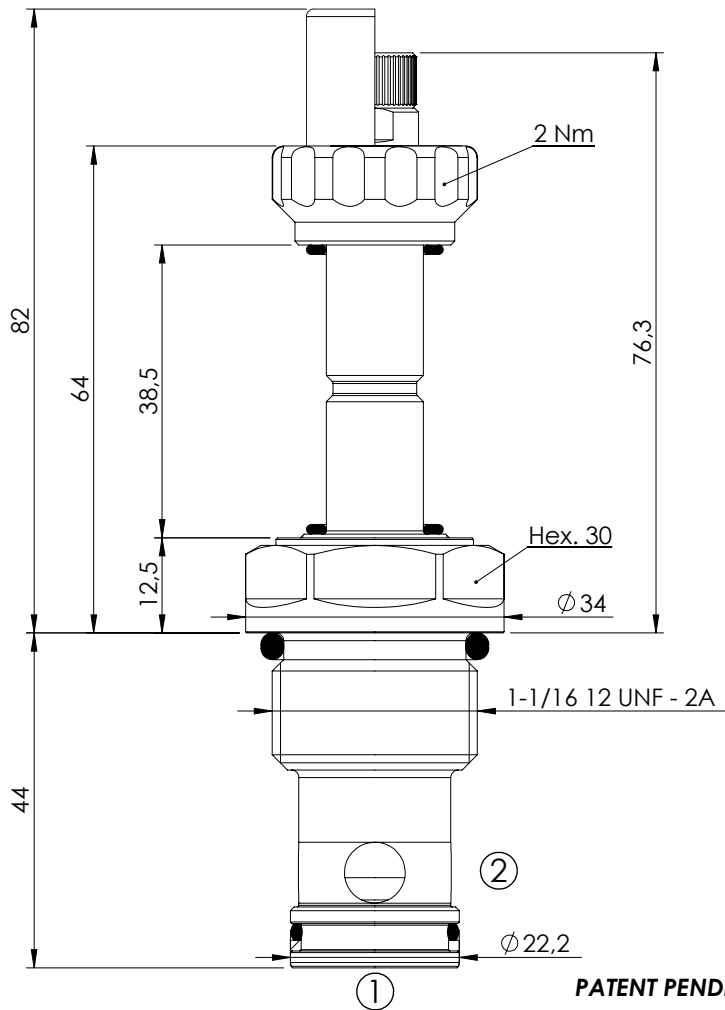
**ORDERING CODES**

Quick code	Description	Options	Max operating pressure (bar)	Extra Spring
CE000288	CEBN-100-NCFN-05-057-N350	Standard	350	No
CE000290	CEBN-100-NCFK-05-057-N350	Knob style override	350	No
CE000289	CEBN-100-XCFN-05-057-N350	Standard	350	Yes
CE000291	CEBN-100-XCFK-05-057-N350	Knob style override	350	Yes
CE000588	CEBN-100-NCFN-05-057-N500	Standard	500	No
CE000590	CEBN-100-NCFK-05-057-N500	Knob style override	500	No

**SOLENOID OPERATED CARTRIDGE**

**CEBN-180-NCFN**

**PILOT OPERATED  
POPPET TYPE**



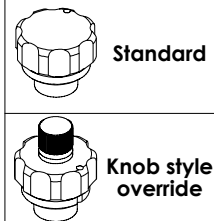
**SPECIFICATIONS**

Max. operating pressure:	350/500 bar
Rated flow:	180 l/min
Cavity:	SAE-12-2N
Weight:	0,25 kg
Min. voltage required:	90% of nominal
Coil type:	M7 type
Seal kit:	RA900083

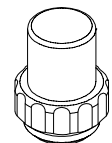
**NOTES**

Installation torque: 135 - 150 Nm

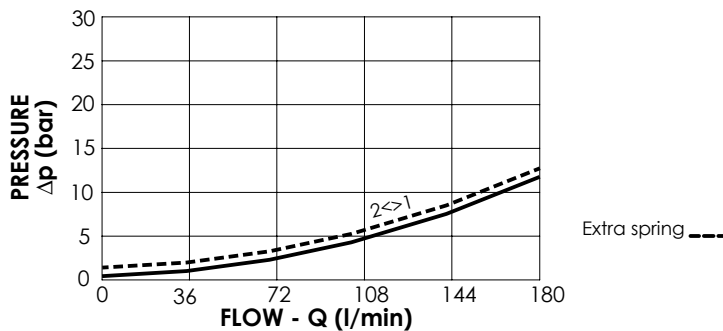
**OPTIONS**



**SEALING CAP**



Ordering code: AT000113



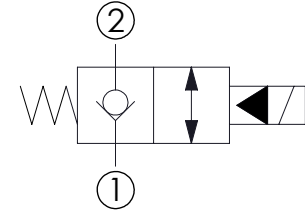
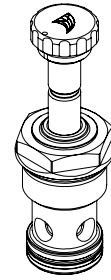
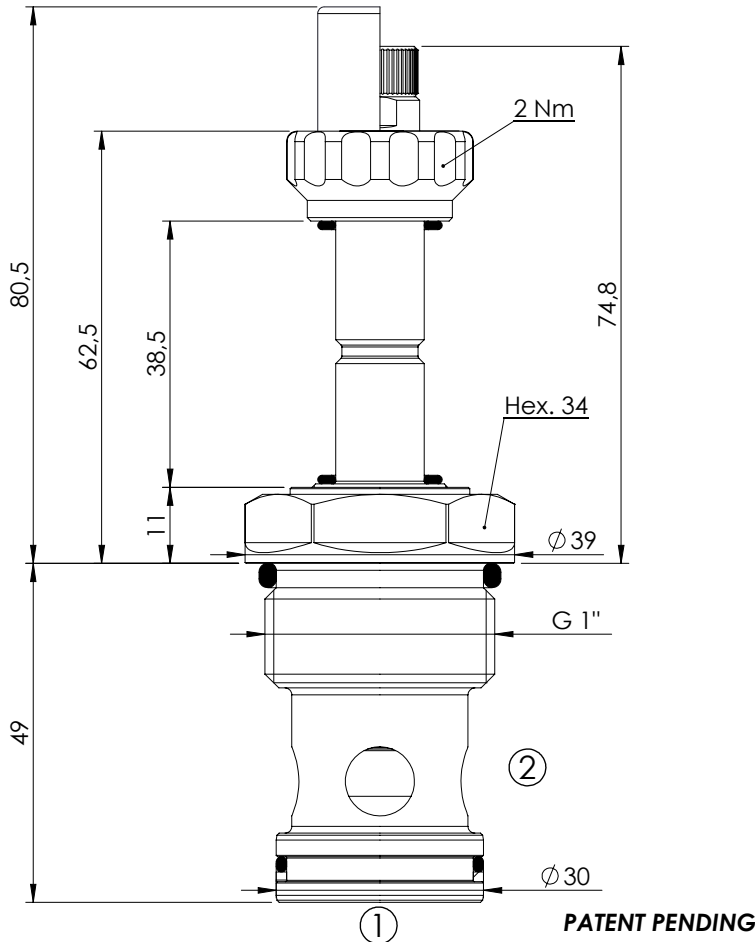
**ORDERING CODES**

Quick code	Description	Options	Max operating pressure (bar)	Extra Spring
CE000323	CEBN-180-NCFN-05-S12-N350	Standard	350	No
CE000325	CEBN-180-NCFK-05-S12-N350	Knob style override	350	No
CE000324	CEBN-180-XCFN-05-S12-N350	Standard	350	Yes
CE000326	CEBN-180-XCFK-05-S12-N350	Knob style override	350	Yes
CE000623	CEBN-180-NCFN-05-S12-N500	Standard	500	No
CE000625	CEBN-180-NCFK-05-S12-N500	Knob style override	500	No

**SOLENOID OPERATED CARTRIDGE**

**CEBN-200-NCFN**

**PILOT OPERATED  
POPPET TYPE**

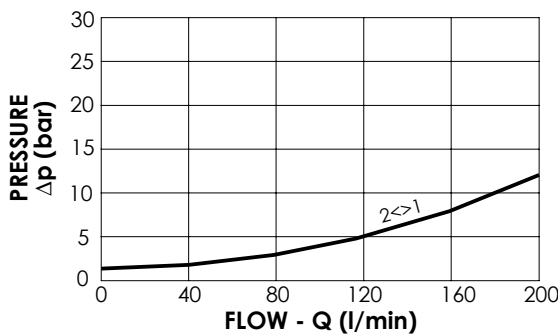


**SPECIFICATIONS**

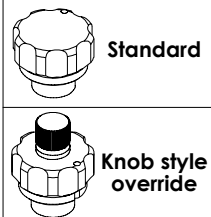
Max. operating pressure:	350/500 bar
Rated flow:	200 l/min
Cavity:	VP000013
Weight:	0,35 kg
Min. voltage required:	90% of nominal
Coil type:	M7 type
Seal kit:	RC900013

**NOTES**

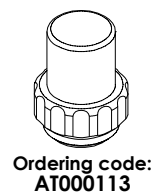
Installation torque: 135 - 150 Nm



**OPTIONS**



**SEALING CAP**



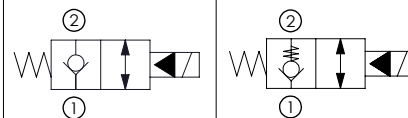
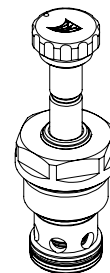
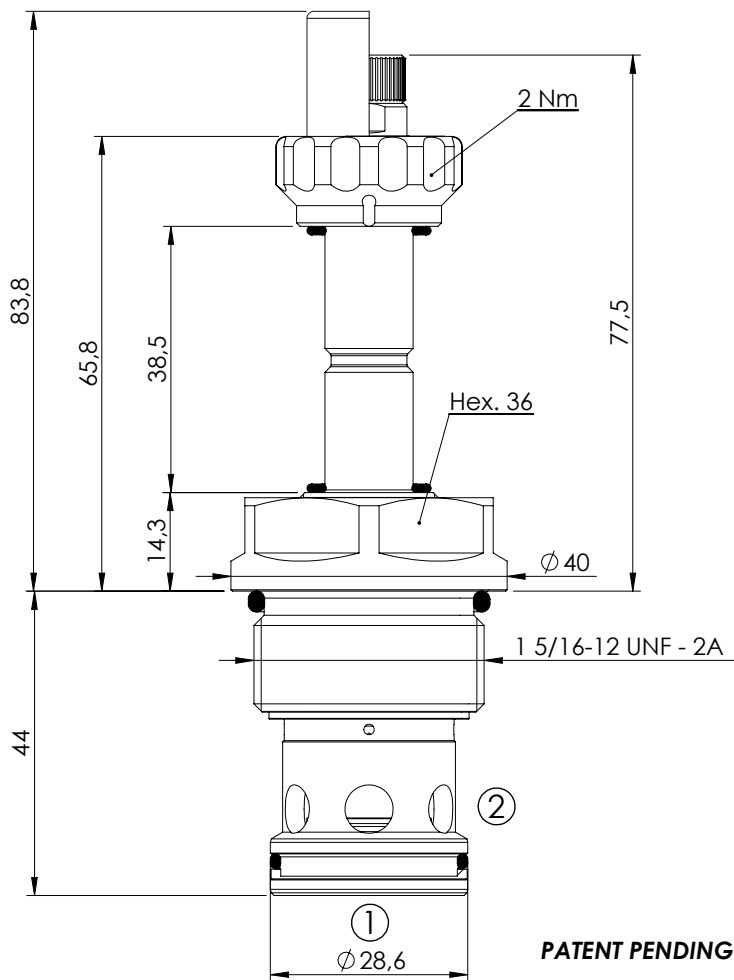
**ORDERING CODES**

Quick code	Description	Options	Max operating pressure (bar)
CE000358	CEBN-200-NCFN-05-013-N350	Standard	350
CE000360	CEBN-200-NCFK-05-013-N350	Knob style override	350
CE000658	CEBN-200-NCFN-05-013-N500	Standard	500
CE000660	CEBN-200-NCFK-05-013-N500	Knob style override	500

**SOLENOID OPERATED CARTRIDGE**

**CEBN-300-NCFN**

**PILOT OPERATED  
POPPET TYPE**



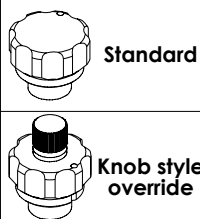
**SPECIFICATIONS**

Max. operating pressure:	350/500 bar
Rated flow:	300 l/min
Cavity:	SAE-16-2N
Weight:	0,36 kg
Min. voltage required:	90% of nominal
Coil type:	M7 type
Seal kit:	RA900084

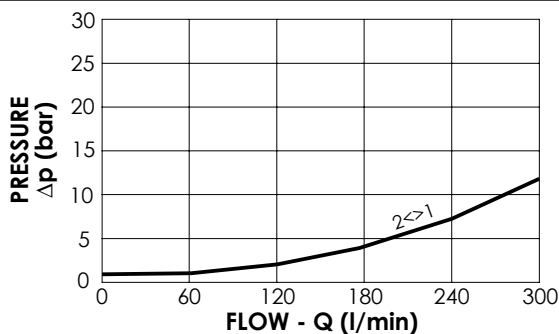
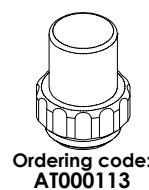
**NOTES**

Installation torque: 118 - 132 Nm

**OPTIONS**



**SEALING CAP**



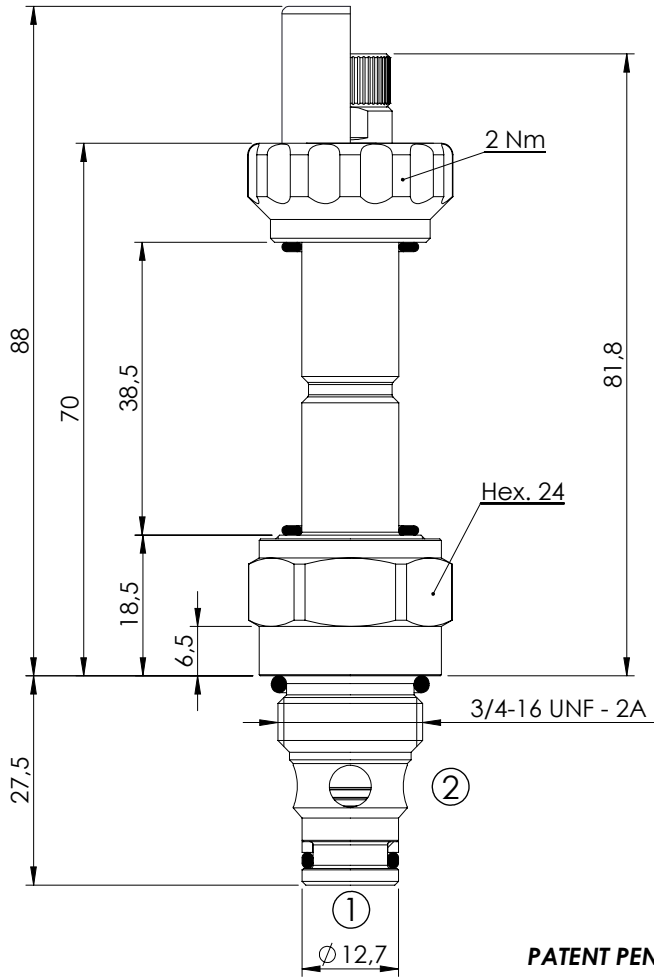
**ORDERING CODES**

Quick code	Description	Options	Max operating pressure (bar)	Extra Spring
CE000393	CEBN-300-NCFN-05-S16-N350	Standard	350	No
CE000395	CEBN-300-NCFK-05-S16-N350	Knob style override	350	No
CE000394	CEBN-300-XCFN-05-S16-N350	Standard	350	Yes
CE000396	CEBN-300-XCFK-05-S16-N350	Knob style override	350	Yes
CE000693	CEBN-300-NCFN-05-S16-N500	Standard	500	No
CE000695	CEBN-300-NCFK-05-S16-N500	Knob style override	500	No

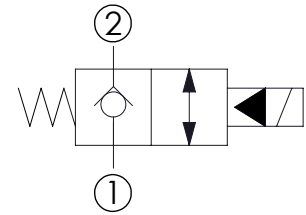
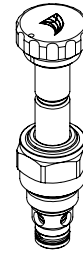
**SOLENOID OPERATED CARTRIDGE**

**CEBN-040-NCFN**

**PILOT OPERATED  
POPPET TYPE**



PATENT PENDING

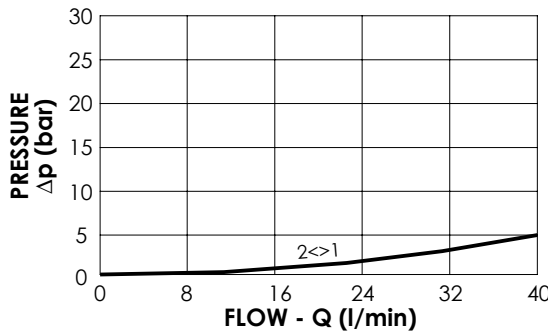


**SPECIFICATIONS**

Max. operating pressure:	350/500 bar
Rated flow:	40 l/min
Cavity:	SAE-08-2N
Weight:	0,14 kg
Min. voltage required:	90% of nominal
Coil type:	M7 type
Seal kit:	RA900081

**NOTES**

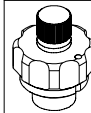
Installation torque: 45 - 50 Nm



**OPTIONS**

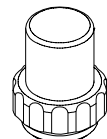


Standard



Knob style  
override

**SEALING CAP**



Ordering code:  
AT000113

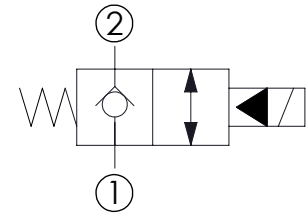
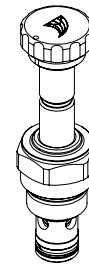
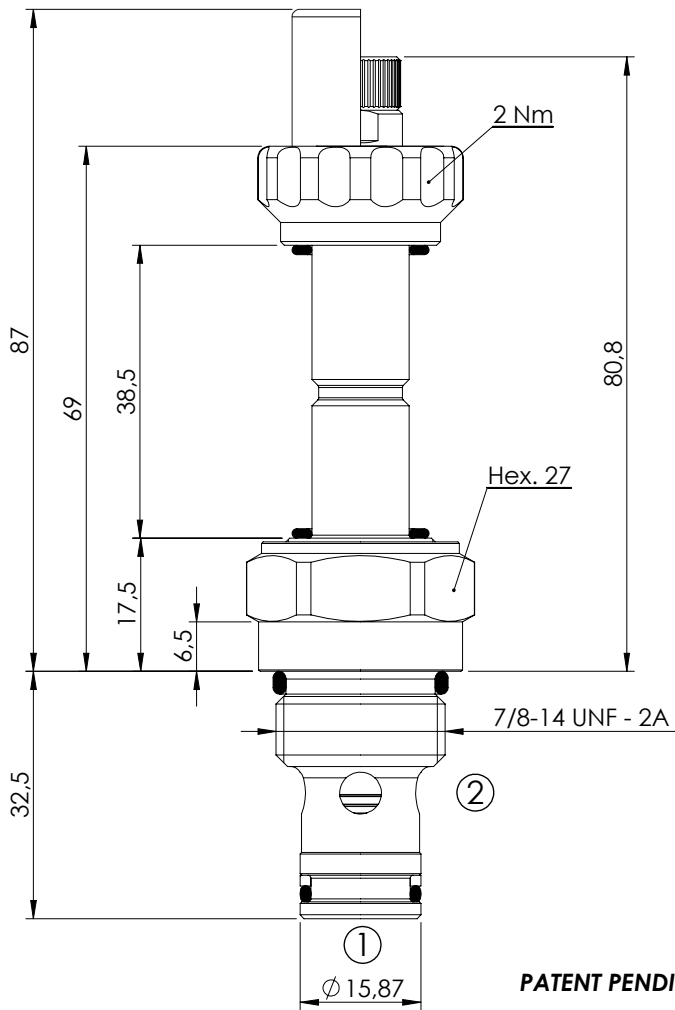
**ORDERING CODES**

Quick code	Description	Options	Max operating pressure (bar)
CE000214	CEBN-040-NCFN-03-S08-N350	Standard	350
CE000216	CEBN-040-NCFK-03-S08-N350	Knob style override	350
CE000514	CEBN-040-NCFN-03-S08-N500	Standard	500
CE000516	CEBN-040-NCFK-03-S08-N500	Knob style override	500

**SOLENOID OPERATED CARTRIDGE**

**CEBN-070-NCFN**

**PILOT OPERATED  
POPPET TYPE**



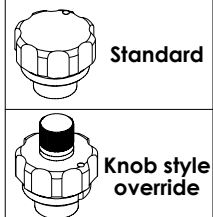
**SPECIFICATIONS**

Max. operating pressure:	350/500 bar
Rated flow:	70 l/min
Cavity:	SAE-10-2N
Weight:	0,18 kg
Min. voltage required:	90% of nominal
Coil type:	M7 type
Seal kit:	RA900082

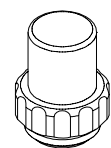
**NOTES**

Installation torque: 55 - 62 Nm

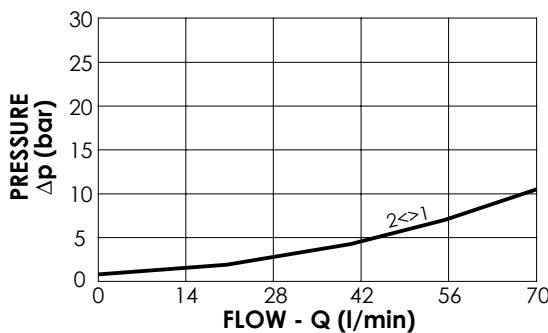
**OPTIONS**



**SEALING CAP**



Ordering code:  
AT000113



**ORDERING CODES**

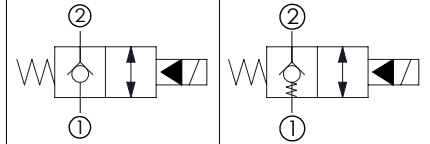
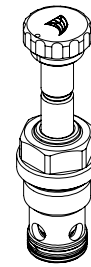
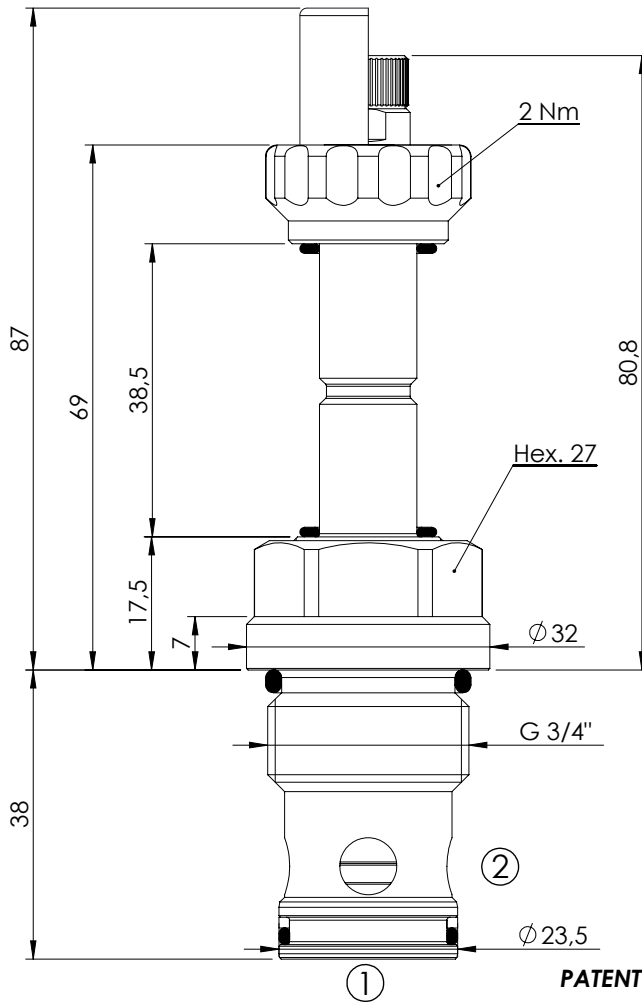
Quick code	Description	Options	Max operating pressure (bar)
CE000249	CEBN-070-NCFN-03-S10-N350	Standard	350
CE000251	CEBN-070-NCFK-03-S10-N350	Knob style override	350
CE000549	CEBN-070-NCFN-03-S10-N500	Standard	500
CE000551	CEBN-070-NCFK-03-S10-N500	Knob style override	500



**SOLENOID OPERATED CARTRIDGE**

**CEBN-100-NCFN**

**PILOT OPERATED  
POPPET TYPE**



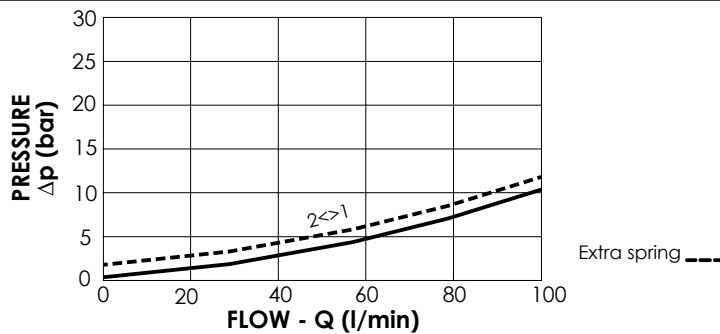
With extra spring

**SPECIFICATIONS**

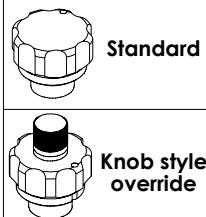
Max. operating pressure:	350/500 bar
Rated flow:	100 l/min
Cavity:	VP000057
Weight:	0,25 kg
Min. voltage required:	90% of nominal
Coil type:	M7 type
Seal kit:	RC900057

**NOTES**

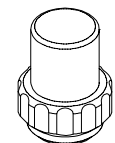
Installation torque: 110 - 130 Nm



**OPTIONS**



**SEALING CAP**



Ordering code:  
AT000113

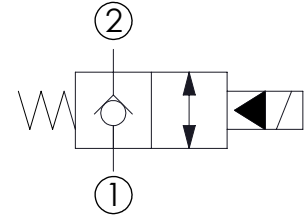
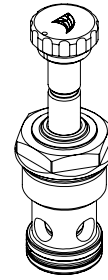
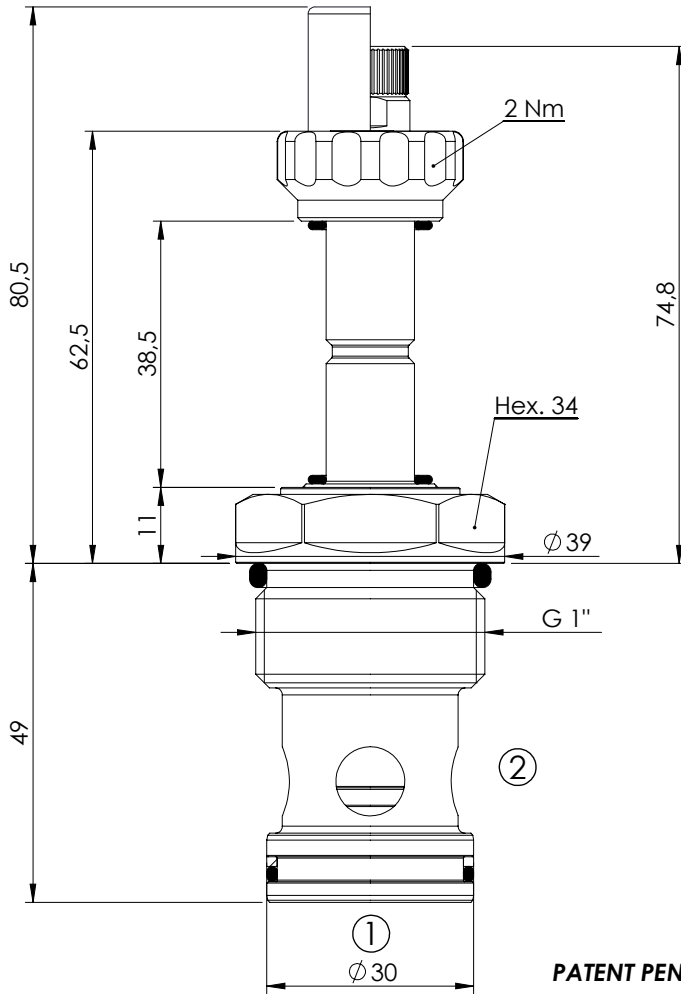
**ORDERING CODES**

Quick code	Description	Options	Max operating pressure (bar)	Extra Spring
CE000284	CEBN-100-NCFN-03-057-N350	Standard	350	No
CE000286	CEBN-100-NCFK-03-057-N350	Knob style override	350	No
CE000584	CEBN-100-NCFN-03-057-N500	Standard	500	No
CE000586	CEBN-100-NCFK-03-057-N500	Knob style override	500	No
CE000585	CEBN-100-XCFN-03-057-N500	Standard	500	Yes
CE000587	CEBN-100-XCFK-03-057-N500	Knob style override	500	Yes

**SOLENOID OPERATED CARTRIDGE**

**CEBN-200-NCFN**

**PILOT OPERATED  
POPPET TYPE**



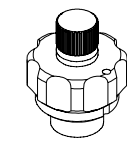
**SPECIFICATIONS**

Max. operating pressure:	350 bar
Rated flow:	200 l/min
Cavity:	VP000013
Weight:	0,35 kg
Min. voltage required:	90% of nominal
Coil type:	M7 type
Seal kit:	RC900013

**NOTES**

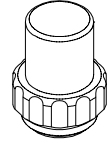
Installation torque: 135 - 150 Nm

**OPTIONS**

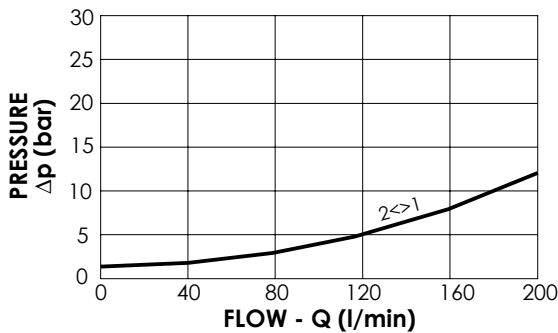


Knob style  
override

**SEALING CAP**



Ordering code:  
AT000113



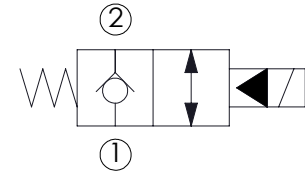
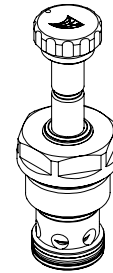
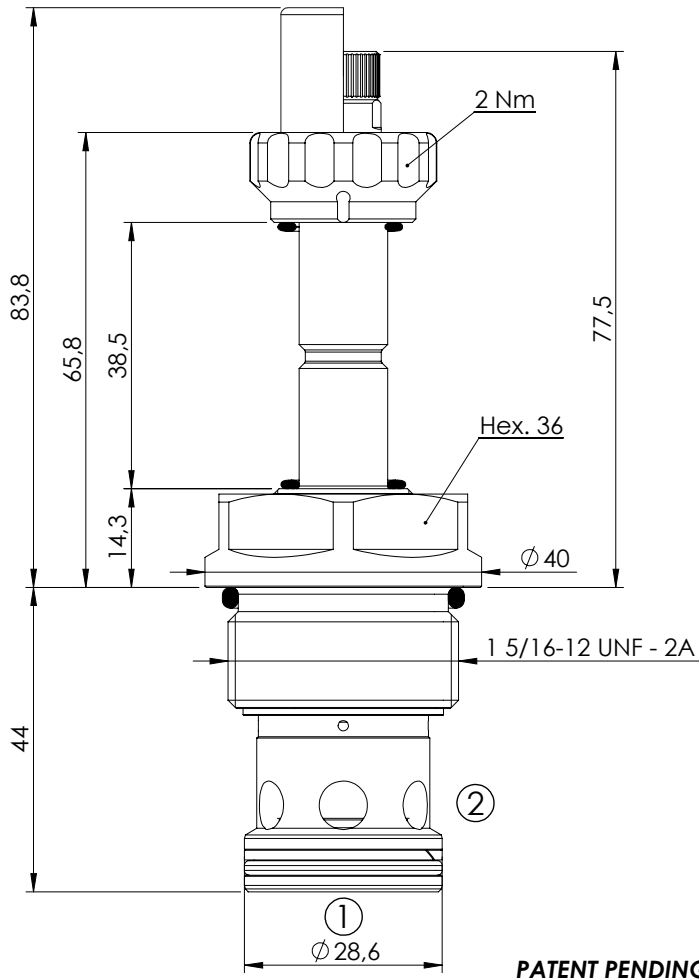
**ORDERING CODES**

Quick code	Description	Options	Max operating pressure (bar)
CE000354	CEBN-200-NCFN-03-013-N350	Standard	350
CE000356	CEBN-200-NCFK-03-013-N350	Knob style override	350
CE000654	CEBN-200-NCFN-03-013-N500	Standard	500
CE000656	CEBN-200-NCFK-03-013-N500	Knob style override	500

**SOLENOID OPERATED CARTRIDGE**

**CEBN-300-NCFN**

**PILOT OPERATED  
POPPET TYPE**



**SPECIFICATIONS**

Max. operating pressure:	350/500 bar
Rated flow:	300 l/min
Cavity:	SAE-16-2N
Weight:	0,37 kg
Min. voltage required:	90% of nominal
Coil type:	M7 type
Seal kit:	RA700084

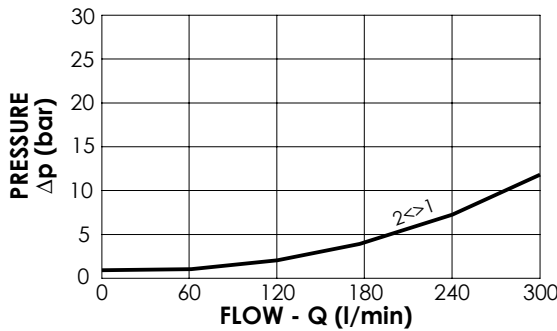
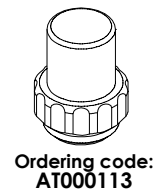
**NOTES**

Installation torque: 118 - 132 Nm

**OPTIONS**

- Standard
- Knob style override

**SEALING CAP**



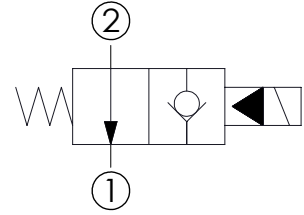
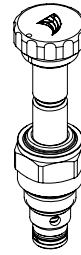
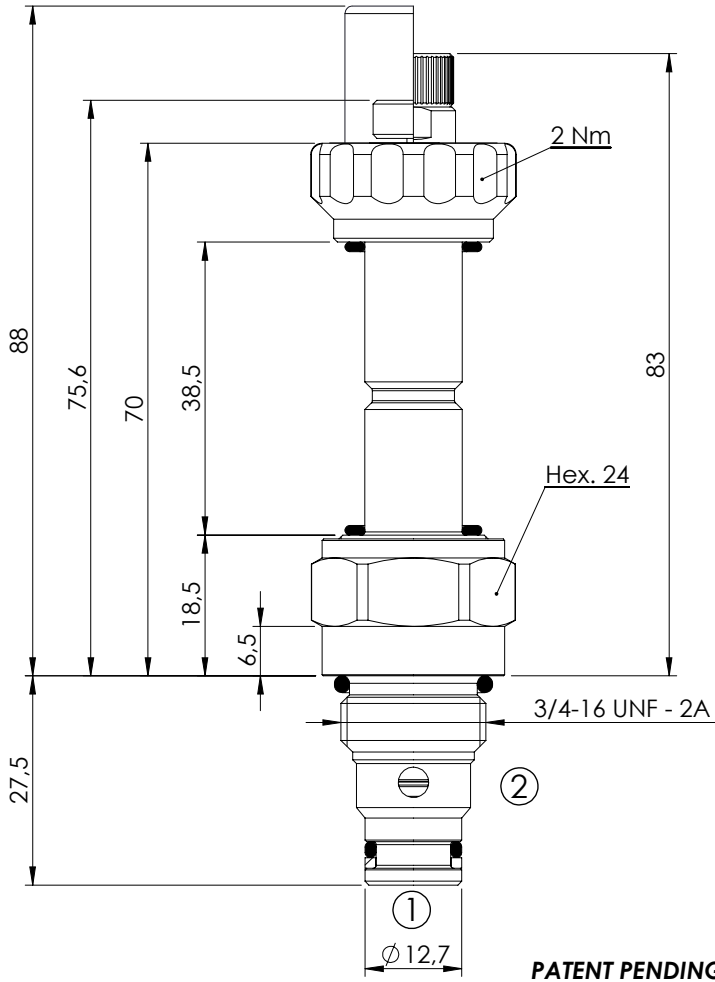
**ORDERING CODES**

Quick code	Description	Options	Max operating pressure (bar)
CE000389	CEBN-300-NCFN-03-S16-N350	Standard	350
CE000391	CEBN-300-NCFK-03-S16-N350	Knob style override	350
CE000689	CEBN-300-NCFN-03-S16-N500	Standard	500
CE000691	CEBN-300-NCFK-03-S16-N500	Knob style override	500

**SOLENOID OPERATED CARTRIDGE**

**CEBN-030-NAFN**

**PILOT OPERATED  
POPPET TYPE**



**SPECIFICATIONS**

Max. operating pressure:	350 bar
Rated flow:	30 l/min
Cavity:	SAE-08-2N
Weight:	0,15 kg
Min. voltage required:	90% of nominal
Coil type:	M7 type
Seal kit:	RA900081

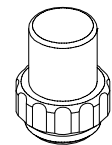
**NOTES**

Installation torque: 45 - 50 Nm

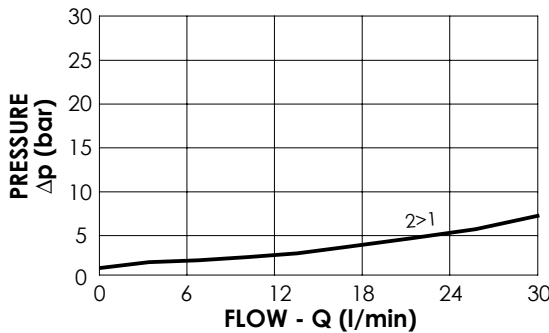
**OPTIONS**

- Standard
- Push style override
- Knob style override

**SEALING CAP**



Ordering code:  
AT000113



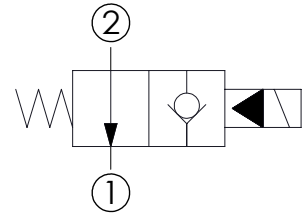
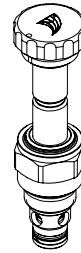
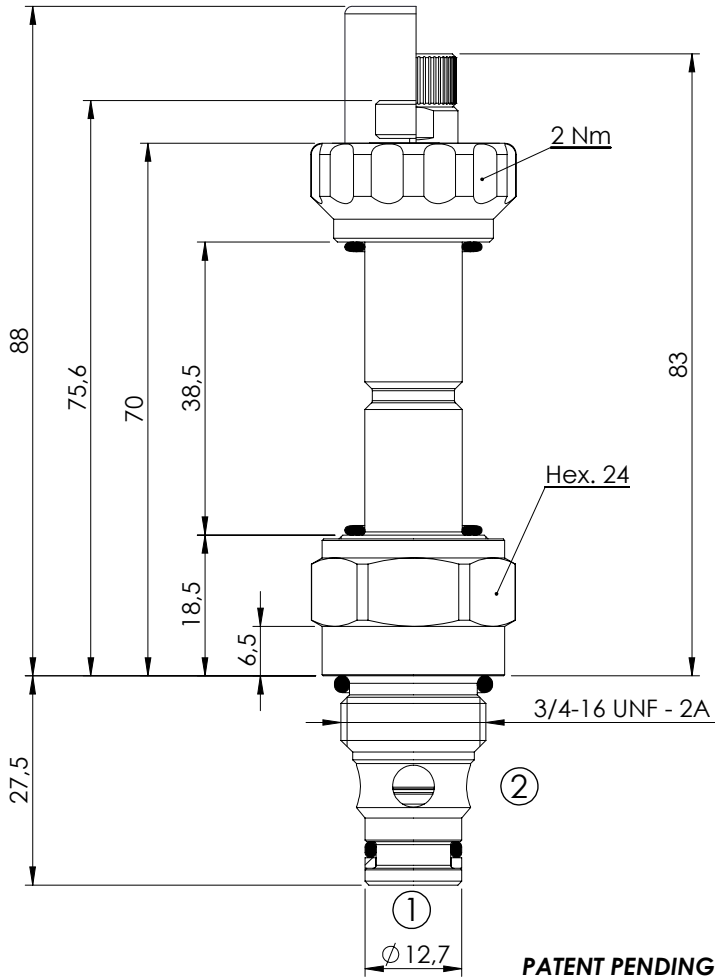
**ORDERING CODES**

Quick code	Description	Options	Max operating pressure (bar)
CE000461	CEBN-030-NAFN-02-S08-N350	Standard	350
CE000462	CEBN-030-NAFP-02-S08-N350	Push style override	350
CE000463	CEBN-030-NAFK-02-S08-N350	Knob style override	350

**SOLENOID OPERATED CARTRIDGE**

**CEBN-040-NAFN**

**PILOT OPERATED  
POPPET TYPE**

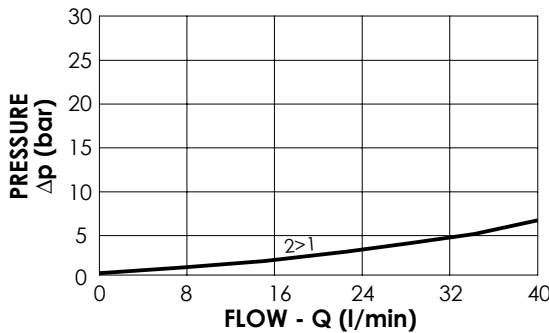


**SPECIFICATIONS**

Max. operating pressure:	350/500 bar
Rated flow:	40 l/min
Cavity:	SAE-08-2N
Weight:	0,14 kg
Min. voltage required:	90% of nominal
Coil type:	M7 type
Seal kit:	RA900081

**NOTES**

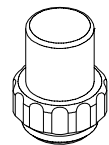
Installation torque: 45 - 50 Nm



**OPTIONS**

- Standard
- Push style override
- Knob style override

**SEALING CAP**



Ordering code:  
AT000113

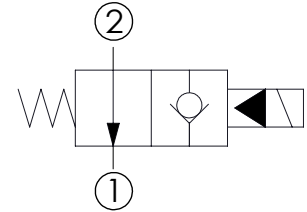
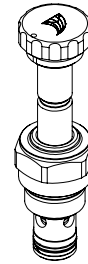
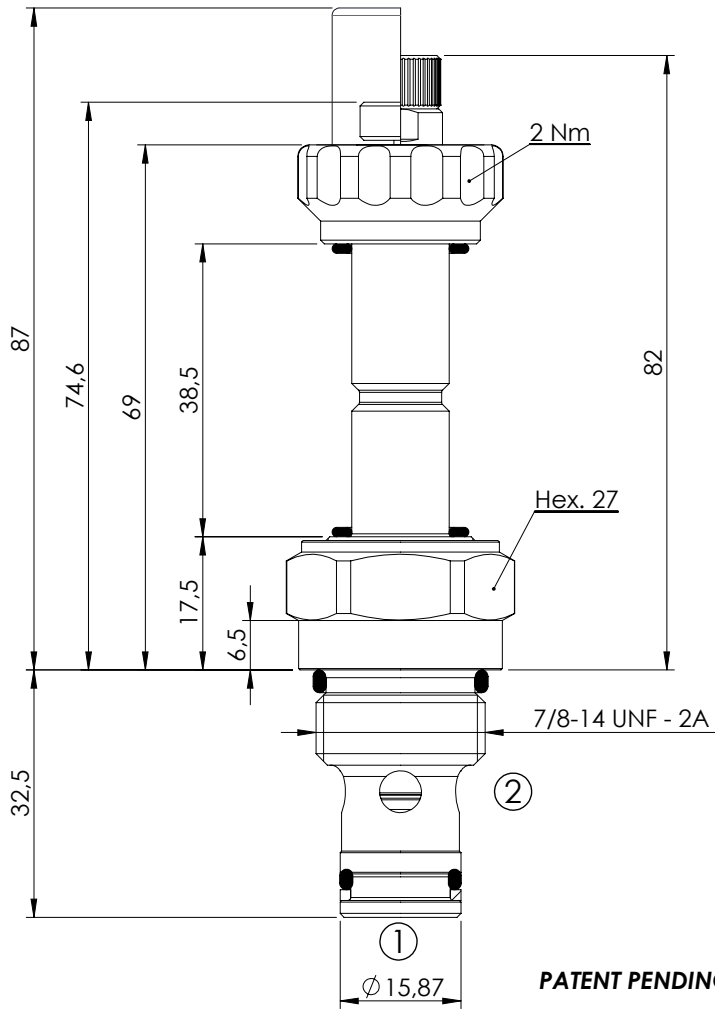
**ORDERING CODES**

Quick code	Description	Options	Max operating pressure (bar)
CE000230	CEBN-040-NAFN-02-S08-N350	Standard	350
CE000231	CEBN-040-NAFP-02-S08-N350	Push style override	350
CE000232	CEBN-040-NAFK-02-S08-N350	Knob style override	350
CE000530	CEBN-040-NAFN-02-S08-N500	Standard	500
CE000531	CEBN-040-NAFP-02-S08-N500	Push style override	500
CE000532	CEBN-040-NAFK-02-S08-N500	Knob style override	500

**SOLENOID OPERATED CARTRIDGE**

**CEBN-070-NAFN**

**PILOT OPERATED  
POPPET TYPE**



**SPECIFICATIONS**

Max. operating pressure:	350/500 bar
Rated flow:	70 l/min
Cavity:	SAE-10-2N
Weight:	0,18 kg
Min. voltage required:	90% of nominal
Coil type:	M7 type
Seal kit:	RA900082

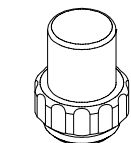
**NOTES**

Installation torque: 55 - 62 Nm

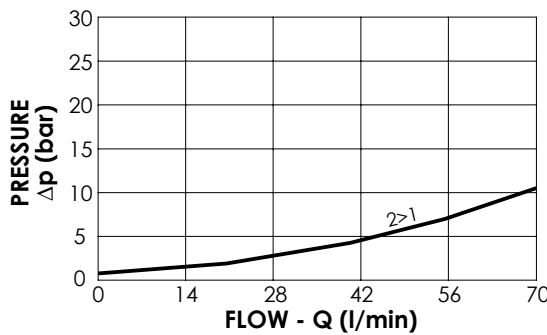
**OPTIONS**

- Standard
- Push style override
- Knob style override

**SEALING CAP**



Ordering code:  
AT000113



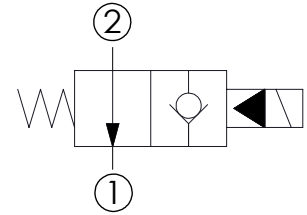
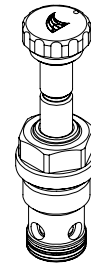
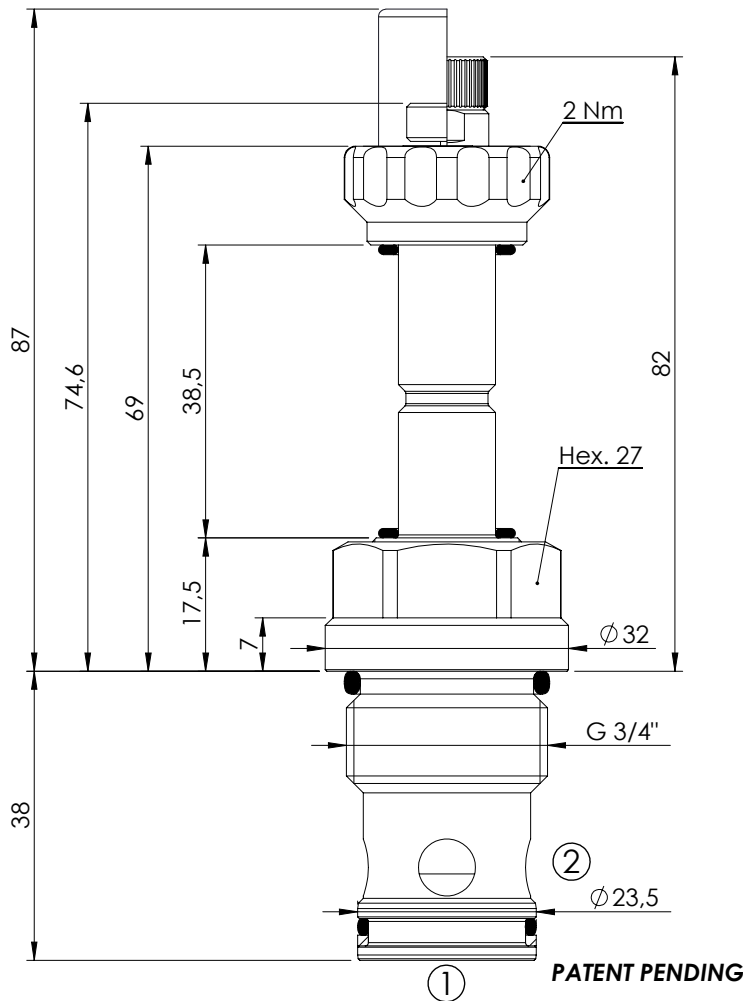
**ORDERING CODES**

Quick code	Description	Options	Max operating pressure (bar)
CE000265	CEBN-070-NAFN-02-S10-N350	Standard	350
CE000266	CEBN-070-NAFP-02-S10-N350	Push style override	350
CE000267	CEBN-070-NAFK-02-S10-N350	Knob style override	350
CE000565	CEBN-070-NAFN-02-S10-N500	Standard	500
CE000566	CEBN-070-NAFP-02-S10-N500	Push style override	500
CE000567	CEBN-070-NAFK-02-S10-N500	Knob style override	500

**SOLENOID OPERATED CARTRIDGE**

**CEBN-100-NAFN**

**PILOT OPERATED  
POPPET TYPE**

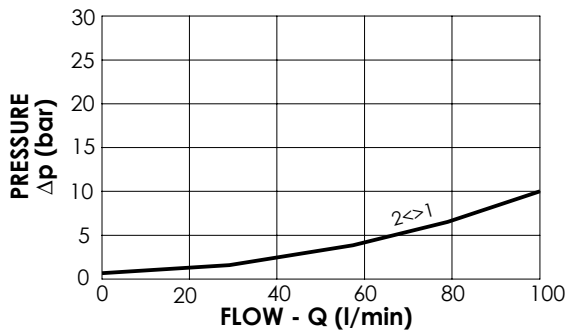


**SPECIFICATIONS**

Max. operating pressure:	350/500 bar
Rated flow:	100 l/min
Cavity:	VP000057
Weight:	0,25 kg
Min. voltage required:	90% of nominal
Coil type:	M7 type
Seal kit:	RC900057

**NOTES**

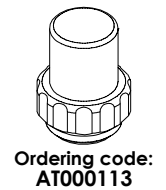
Installation torque: 110 - 130 Nm



**OPTIONS**

- Standard
- Push style override
- Knob style override

**SEALING CAP**



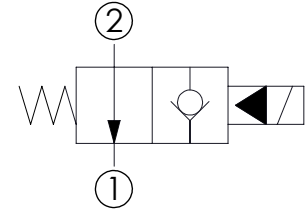
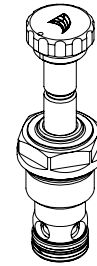
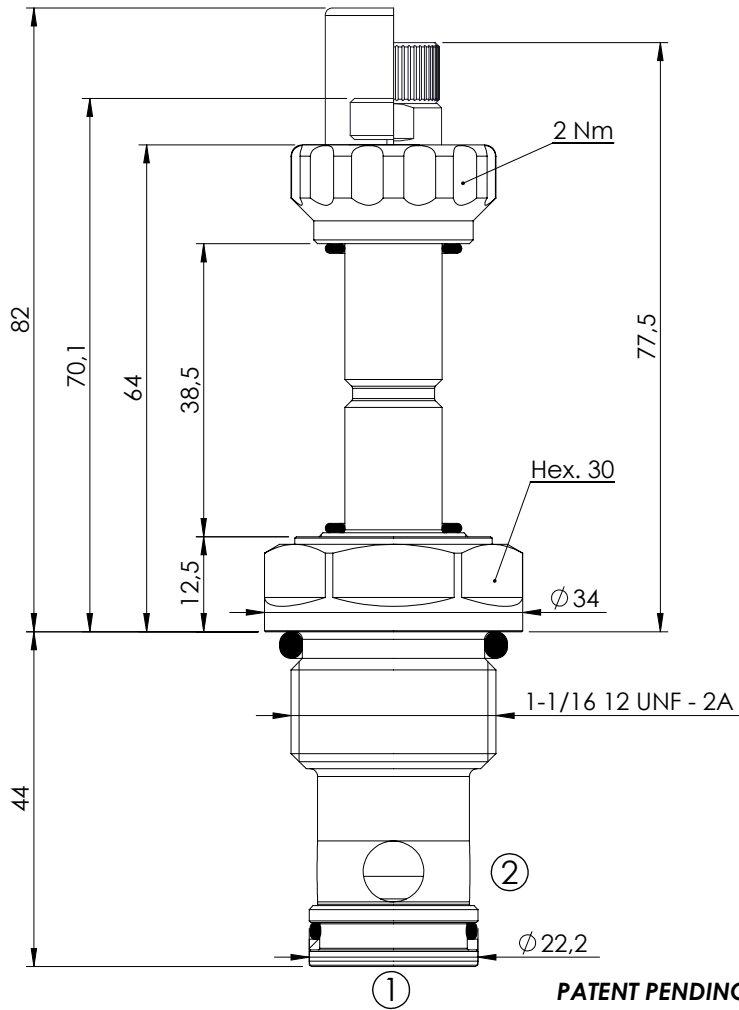
**ORDERING CODES**

Quick code	Description	Options	Max operating pressure (bar)
CE000300	CEBN-100-NAFN-02-057-N350	Standard	350
CE000301	CEBN-100-NAFP-02-057-N350	Push style override	350
CE000302	CEBN-100-NAFK-02-057-N350	Knob style override	350
CE000600	CEBN-100-NAFN-02-057-N500	Standard	500
CE000601	CEBN-100-NAFP-02-057-N500	Push style override	500
CE000602	CEBN-100-NAFK-02-057-N500	Knob style override	500

**SOLENOID OPERATED CARTRIDGE**

**CEBN-180-NAFN**

**PILOT OPERATED  
POPPET TYPE**



**SPECIFICATIONS**

Max. operating pressure:	350/500 bar
Rated flow:	180 l/min
Cavity:	SAE-12-2N
Weight:	0,25 kg
Min. voltage required:	90% of nominal
Coil type:	M7 type
Seal kit:	RA900083

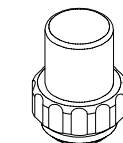
**NOTES**

Installation torque: 135 - 150 Nm

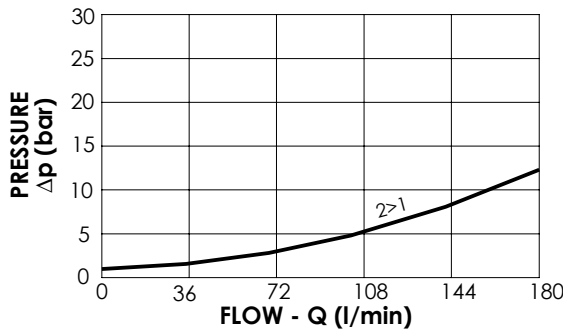
**OPTIONS**

- Standard
- Push style override
- Knob style override

**SEALING CAP**



Ordering code:  
AT000113



**ORDERING CODES**

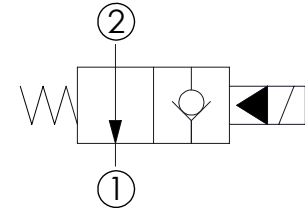
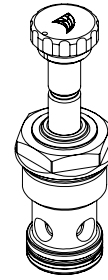
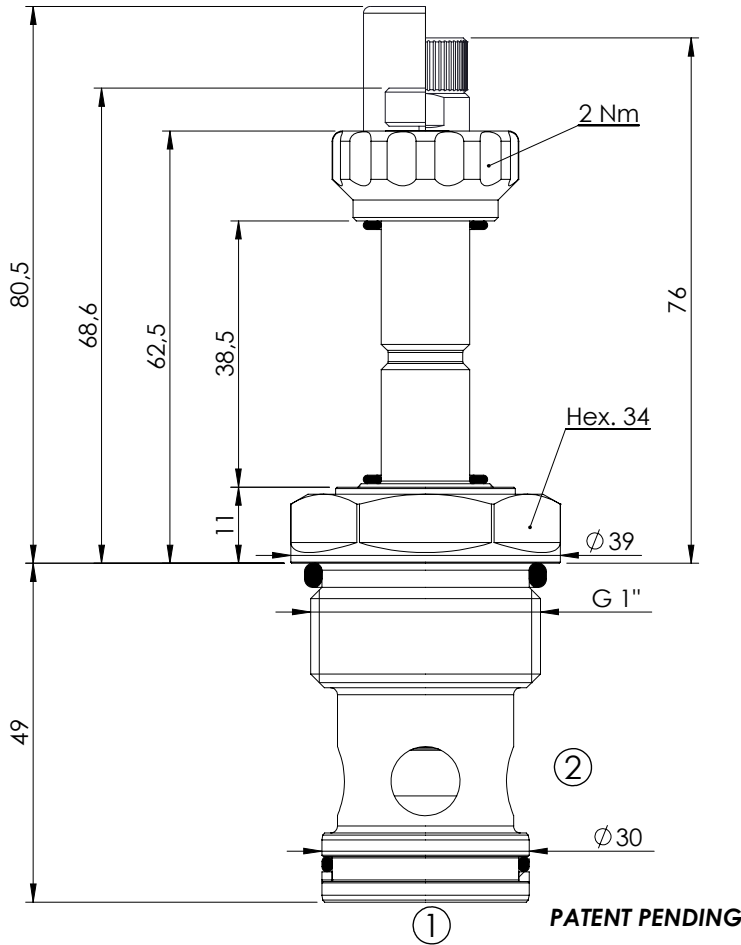
Quick code	Description	Options	Max operating pressure (bar)
CE000335	CEBN-180-NAFN-02-S12-N350	Standard	350
CE000336	CEBN-180-NAFP-02-S12-N350	Push style override	350
CE000337	CEBN-180-NAFK-02-S12-N350	Knob style override	350
CE000635	CEBN-180-NAFN-02-S12-N500	Standard	500
CE000636	CEBN-180-NAFP-02-S12-N500	Push style override	500
CE000637	CEBN-180-NAFK-02-S12-N500	Knob style override	500



**SOLENOID OPERATED CARTRIDGE**

**CEBN-200-NAFN**

**PILOT OPERATED  
POPPET TYPE**



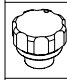
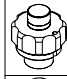
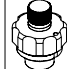
**SPECIFICATIONS**

Max. operating pressure:	350/500 bar
Rated flow:	200 l/min
Cavity:	VP000013
Weight:	0,35 kg
Min. voltage required:	90% of nominal
Coil type:	M7 type
Seal kit:	RC900013

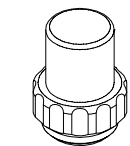
**NOTES**

Installation torque: 135 - 150 Nm

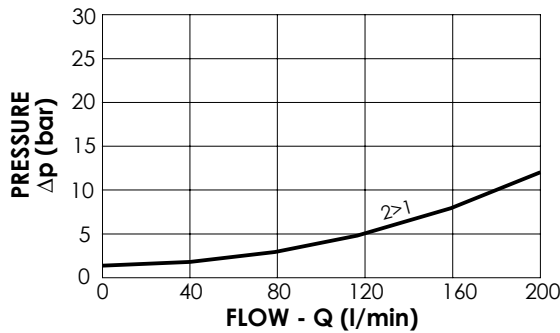
**OPTIONS**

-  Standard
-  Push style override
-  Knob style override

**SEALING CAP**



Ordering code:  
AT000113



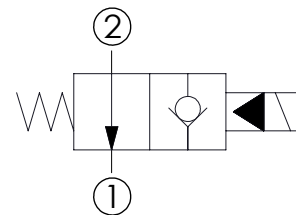
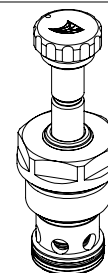
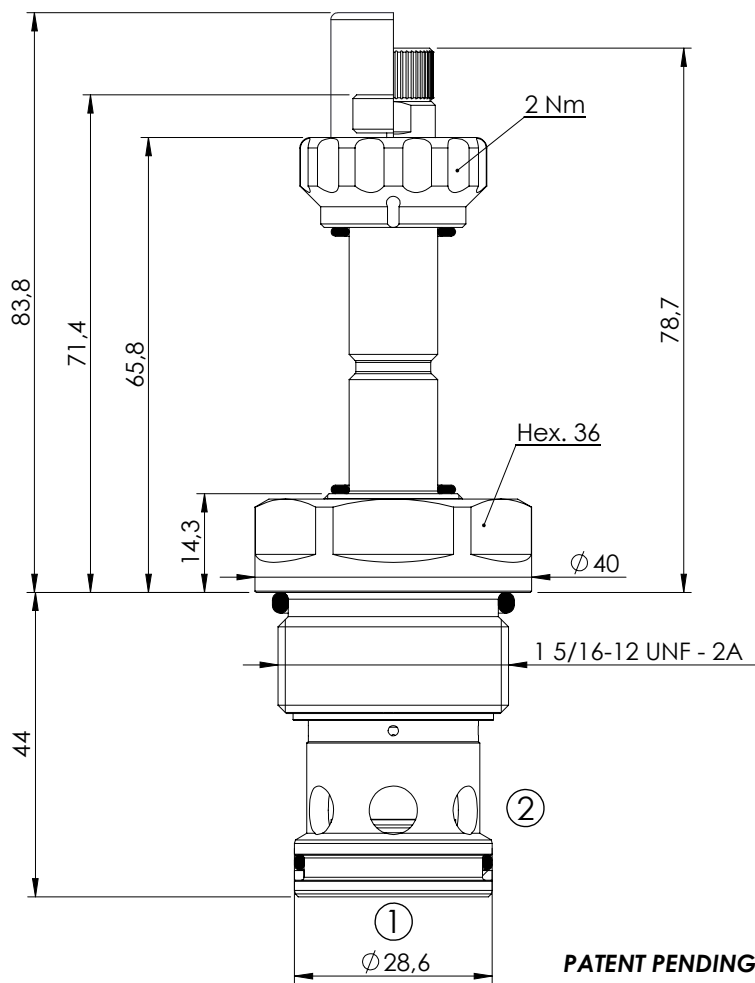
**ORDERING CODES**

Quick code	Description	Options	Max operating pressure (bar)
CE000370	CEBN-200-NAFN-02-013-N350	Standard	350
CE000371	CEBN-200-NAFP-02-013-N350	Push style override	350
CE000372	CEBN-200-NAFK-02-013-N350	Knob style override	350
CE000670	CEBN-200-NAFN-02-013-N500	Standard	500
CE000671	CEBN-200-NAFP-02-013-N500	Push style override	500
CE000672	CEBN-200-NAFK-02-013-N500	Knob style override	500

**SOLENOID OPERATED CARTRIDGE**

**CEBN-300-NAFN**

**PILOT OPERATED  
POPPET TYPE**

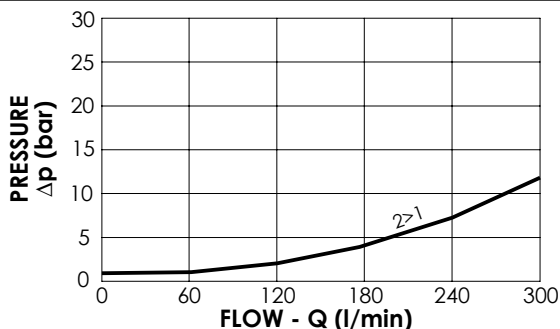


**SPECIFICATIONS**

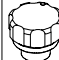
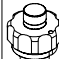
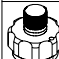
Max. operating pressure:	350/500 bar
Rated flow:	300 l/min
Cavity:	SAE-16-2N
Weight:	0,36 kg
Min. voltage required:	90% of nominal
Coil type:	M7 type
Seal kit:	RA900084

**NOTES**

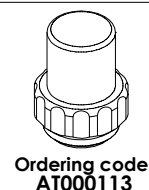
Installation torque: 118 - 132 Nm



**OPTIONS**

-  Standard
-  Push style override
-  Knob style override

**SEALING CAP**



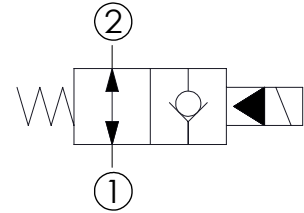
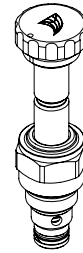
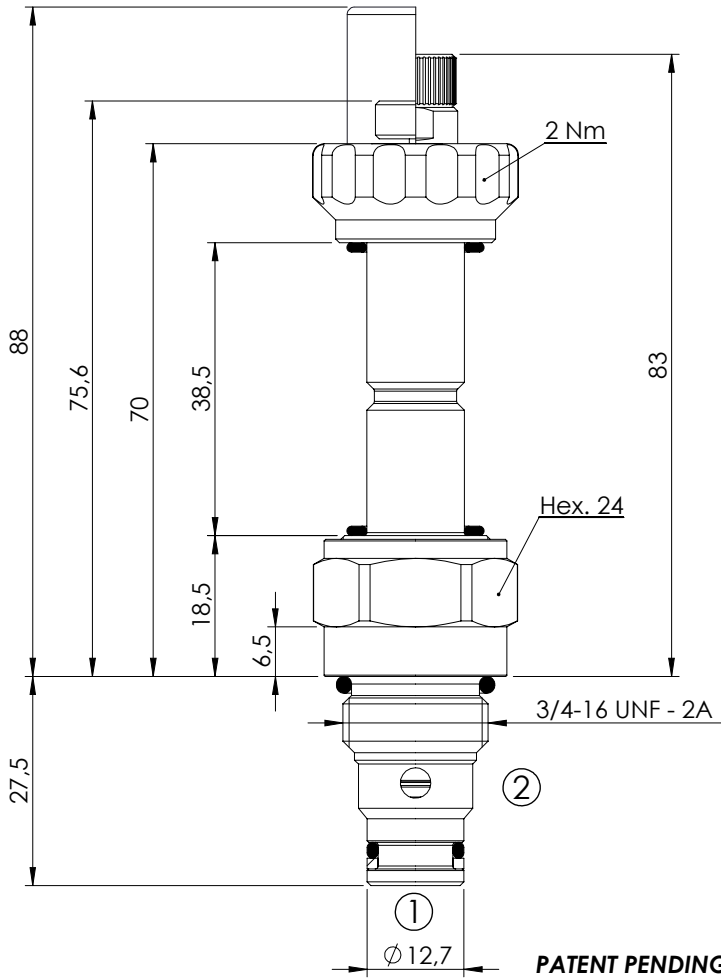
**ORDERING CODES**

Quick code	Description	Options	Max operating pressure (bar)
CE000405	CEBN-300-NAFN-02-S16-N350	Standard	350
CE000406	CEBN-300-NAFP-02-S16-N350	Push style override	350
CE000407	CEBN-300-NAFK-02-S16-N350	Knob style override	350
CE000705	CEBN-300-NAFN-02-S16-N500	Standard	500
CE000706	CEBN-300-NAFP-02-S16-N500	Push style override	500
CE000707	CEBN-300-NAFK-02-S16-N500	Knob style override	500

**SOLENOID OPERATED CARTRIDGE**

**CEBN-030-NAFN**

**PILOT OPERATED  
POPPET TYPE**



**SPECIFICATIONS**

Max. operating pressure:	350 bar
Rated flow:	30 l/min
Cavity:	SAE-08-2N
Weight:	0,15 kg
Min. voltage required:	90% of nominal
Coil type:	M7 type
Seal kit:	RA900081

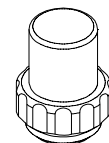
**NOTES**

Installation torque: 45 - 50 Nm

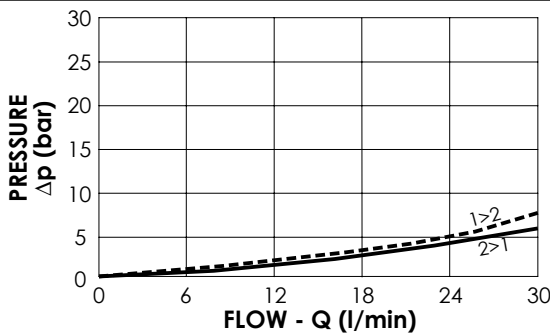
**OPTIONS**

- Standard
- Push style override
- Knob style override

**SEALING CAP**



Ordering code:  
AT000113



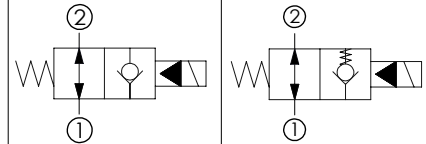
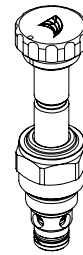
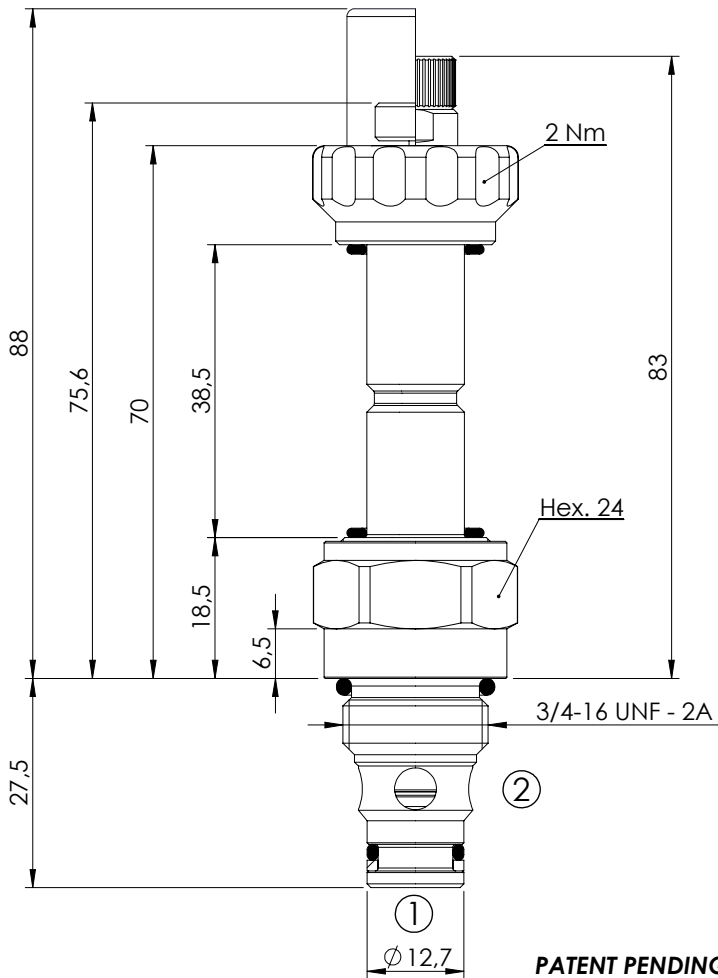
**ORDERING CODES**

Quick code	Description	Options	Max operating pressure (bar)
CE000464	CEBN-030-NAFN-06-S08-N350	Standard	350
CE000465	CEBN-030-NAFP-06-S08-N350	Push style override	350
CE000466	CEBN-030-NAFK-06-S08-N350	Knob style override	350

**SOLENOID OPERATED CARTRIDGE**

**CEBN-040-NAFN**

**PILOT OPERATED  
POPPET TYPE**



With extra spring

**SPECIFICATIONS**

Max. operating pressure:	350/500 bar
Rated flow:	40 l/min
Cavity:	SAE-08-2N
Weight:	0,14 kg
Min. voltage required:	90% of nominal
Coil type:	M7 type
Seal kit:	RA900081

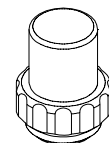
**NOTES**

Installation torque: 45 - 50 Nm

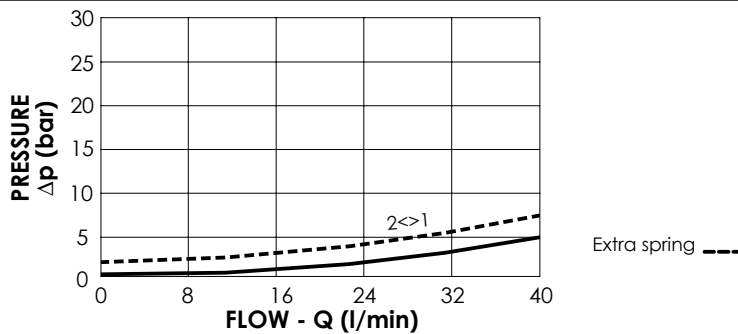
**OPTIONS**

- Standard
- Push style override
- Knob style override

**SEALING CAP**



Ordering code:  
AT000113



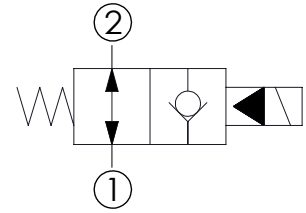
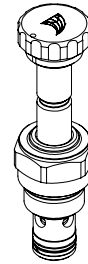
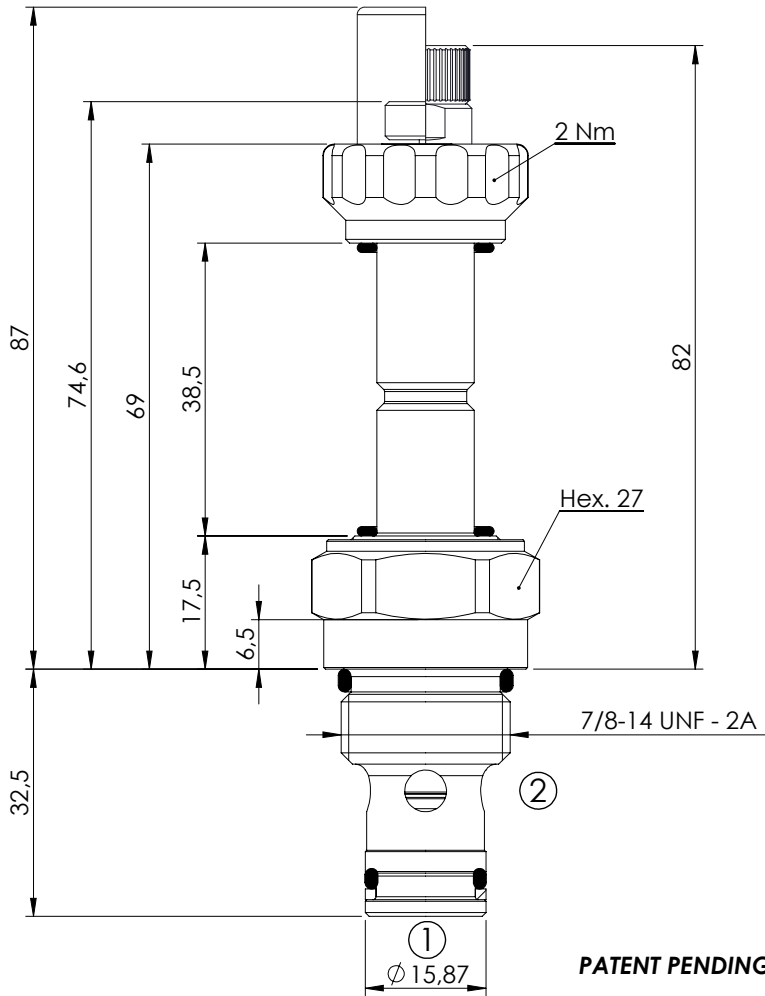
**ORDERING CODES**

Quick code	Description	Options	Max operating pressure (bar)	Extra spring
CE000236	CEBN-040-NAFN-06-S08-N350	Standard	350	No
CE000237	CEBN-040-NAFP-06-S08-N350	Push style override	350	No
CE000238	CEBN-040-NAFK-06-S08-N350	Knob style override	350	No
CE000483	CEBN-040-XAFN-06-S08-N350	Standard	350	Yes
CE000536	CEBN-040-NAFN-06-S08-N500	Standard	500	No
CE000537	CEBN-040-NAFP-06-S08-N500	Push style override	500	No
CE000538	CEBN-040-NAFK-06-S08-N500	Knob style override	500	No

**SOLENOID OPERATED CARTRIDGE**

**CEBN-070-NAFN**

**PILOT OPERATED  
POPPET TYPE**

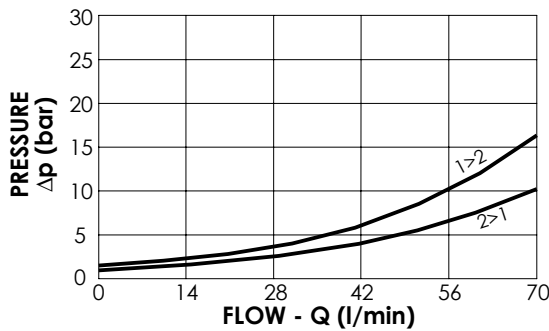


**SPECIFICATIONS**

Max. operating pressure:	350/500 bar
Rated flow:	70 l/min
Cavity:	SAE-10-2N
Weight:	0,18 kg
Min. voltage required:	90% of nominal
Coil type:	M7 type
Seal kit:	RA900082

**NOTES**

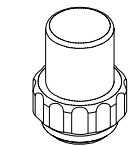
Installation torque: 55 - 62 Nm



**OPTIONS**

- Standard
- Push style override
- Knob style override

**SEALING CAP**



Ordering code: AT000113

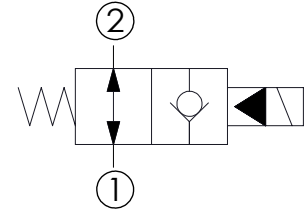
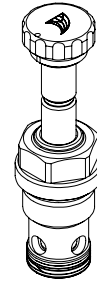
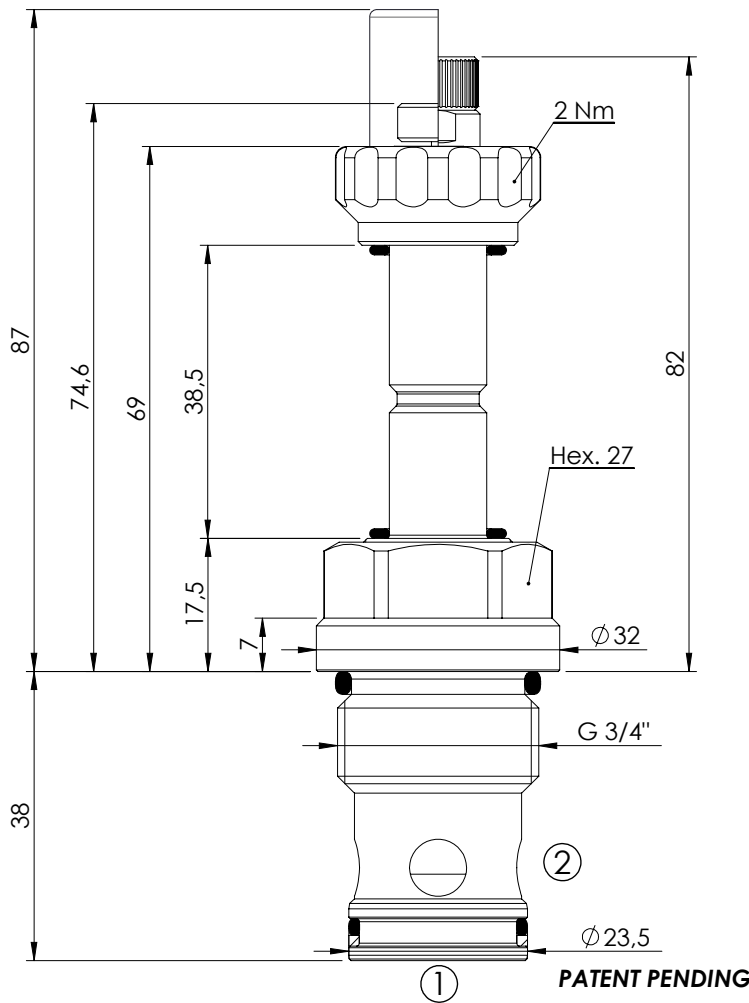
**ORDERING CODES**

Quick code	Description	Options	Max operating pressure (bar)
CE000271	CEBN-070-NAFN-06-S10-N350	Standard	350
CE000272	CEBN-070-NAFP-06-S10-N350	Push style override	350
CE000273	CEBN-070-NAFK-06-S10-N350	Knob style override	350
CE000571	CEBN-070-NAFN-06-S10-N500	Standard	500
CE000572	CEBN-070-NAFP-06-S10-N500	Push style override	500
CE000573	CEBN-070-NAFK-06-S10-N500	Knob style override	500

**SOLENOID OPERATED CARTRIDGE**

**CEBN-100-NAFN**

**PILOT OPERATED  
POPPET TYPE**

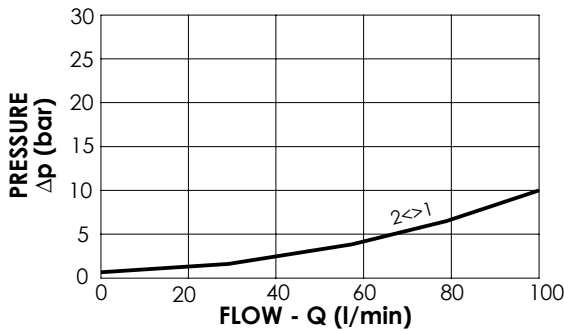


**SPECIFICATIONS**

Max. operating pressure:	350/500 bar
Rated flow:	100 l/min
Cavity:	VP000057
Weight:	0,25 kg
Min. voltage required:	90% of nominal
Coil type:	M7 type
Seal kit:	RC900057

**NOTES**

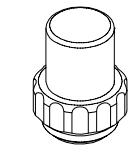
Installation torque: 110 - 130 Nm



**OPTIONS**

- Standard
- Push style override
- Knob style override

**SEALING CAP**



Ordering code:  
AT000113

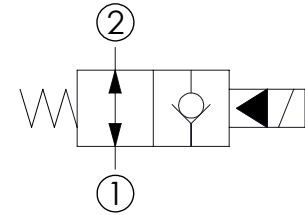
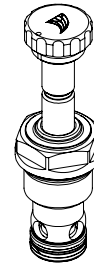
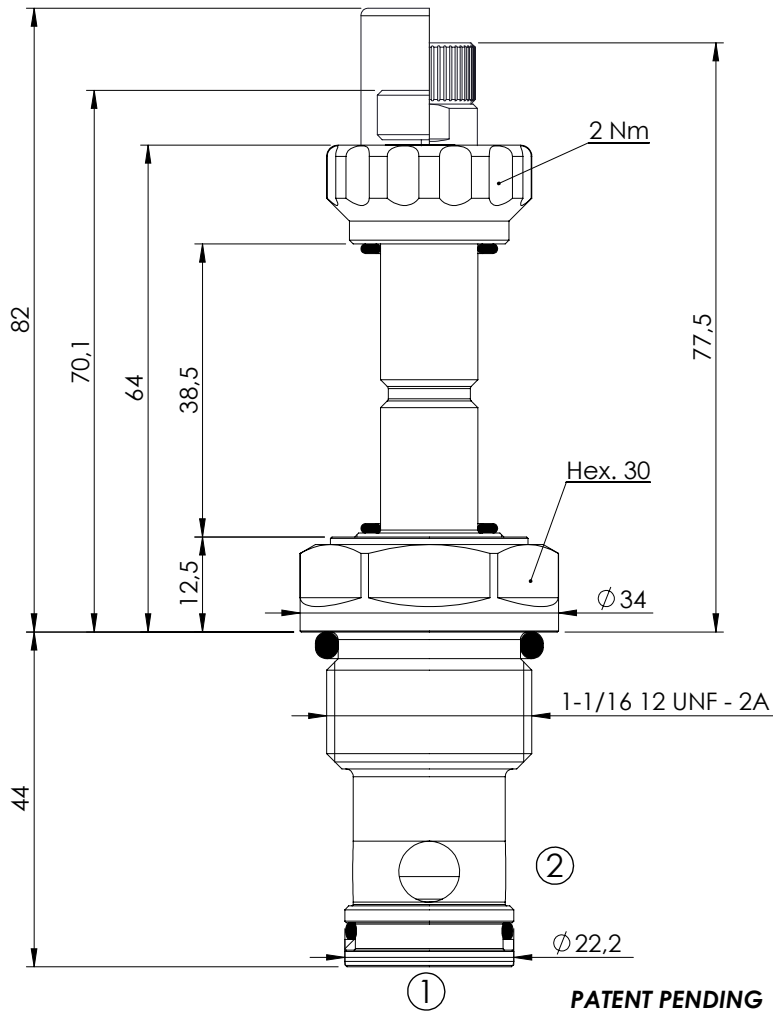
**ORDERING CODES**

Quick code	Description	Options	Max operating pressure (bar)
CE000306	CEBN-100-NAFN-06-057-N350	Standard	350
CE000307	CEBN-100-NAFP-06-057-N350	Push style override	350
CE000308	CEBN-100-NAFK-06-057-N350	Knob style override	350
CE000606	CEBN-100-NAFN-06-057-N500	Standard	500
CE000607	CEBN-100-NAFP-06-057-N500	Push style override	500
CE000608	CEBN-100-NAFK-06-057-N500	Knob style override	500

**SOLENOID OPERATED CARTRIDGE**

**CEBN-180-NAFN**

**PILOT OPERATED  
POPPET TYPE**

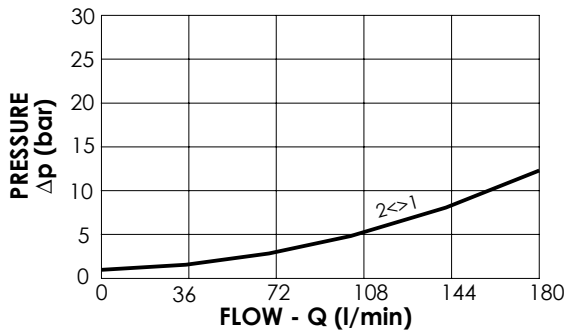


**SPECIFICATIONS**

Max. operating pressure:	350/500 bar
Rated flow:	180 l/min
Cavity:	SAE-12-2N
Weight:	0,25 kg
Min. voltage required:	90% of nominal
Coil type:	M7 type
Seal kit:	RA900083

**NOTES**

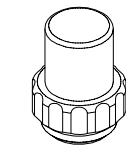
Installation torque: 135 - 150 Nm



**OPTIONS**

- Standard
- Push style override
- Knob style override

**SEALING CAP**



Ordering code:  
AT000113

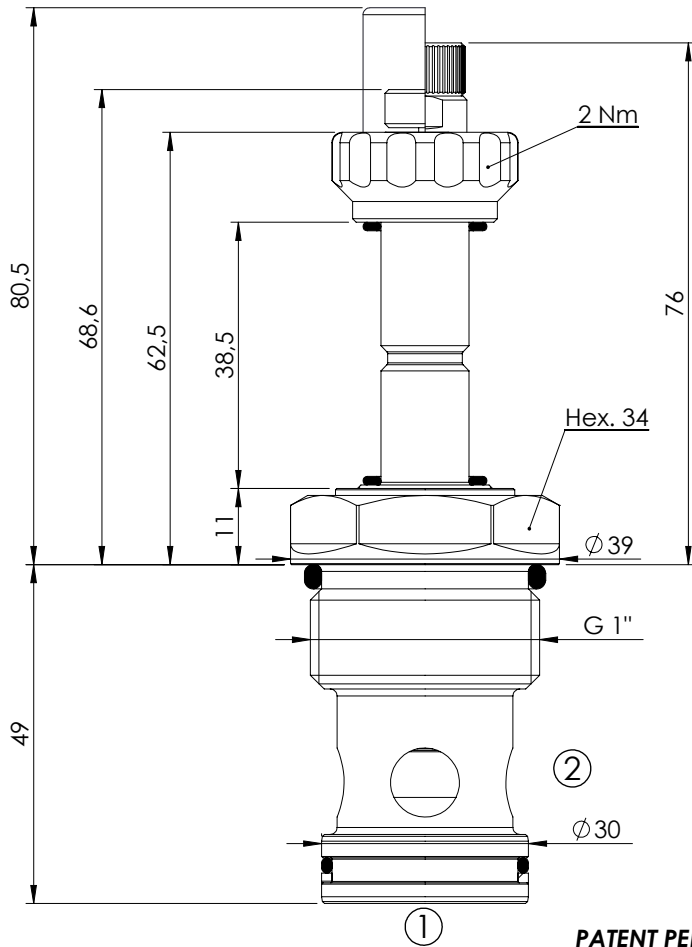
**ORDERING CODES**

Quick code	Description	Options	Max operating pressure (bar)
CE000341	CEBN-180-NAFN-06-S12-N350	Standard	350
CE000342	CEBN-180-NAFP-06-S12-N350	Push style override	350
CE000343	CEBN-180-NAFK-06-S12-N350	Knob style override	350
CE000641	CEBN-180-NAFN-06-S12-N500	Standard	500
CE000642	CEBN-180-NAFP-06-S12-N500	Push style override	500
CE000643	CEBN-180-NAFK-06-S12-N500	Knob style override	500

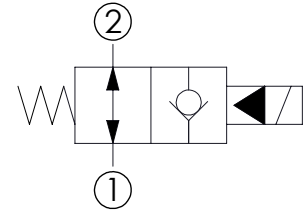
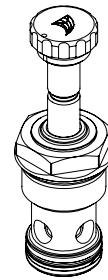
**SOLENOID OPERATED CARTRIDGE**

**CEBN-200-NAFN**

**PILOT OPERATED  
POPPET TYPE**



PATENT PENDING

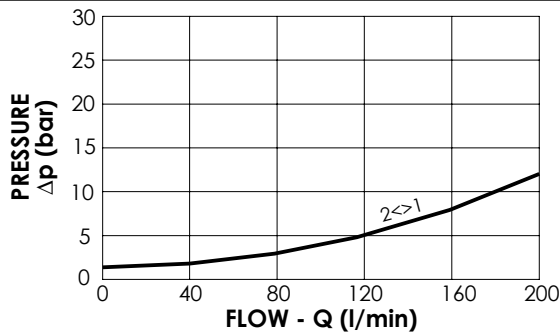


**SPECIFICATIONS**


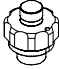
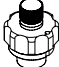
Max. operating pressure:	350/500 bar
Rated flow:	200 l/min
Cavity:	VP000013
Weight:	0,35 kg
Min. voltage required:	90% of nominal
Coil type:	M7 type
Seal kit:	RC900013

**NOTES**

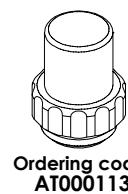
Installation torque: 135 - 150 Nm



**OPTIONS**

-  Standard
-  Push style override
-  Knob style override

**SEALING CAP**



**ORDERING CODES**

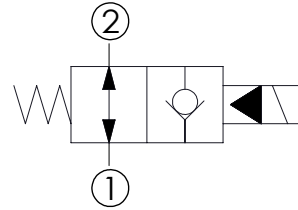
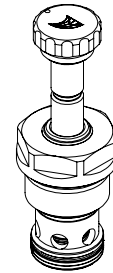
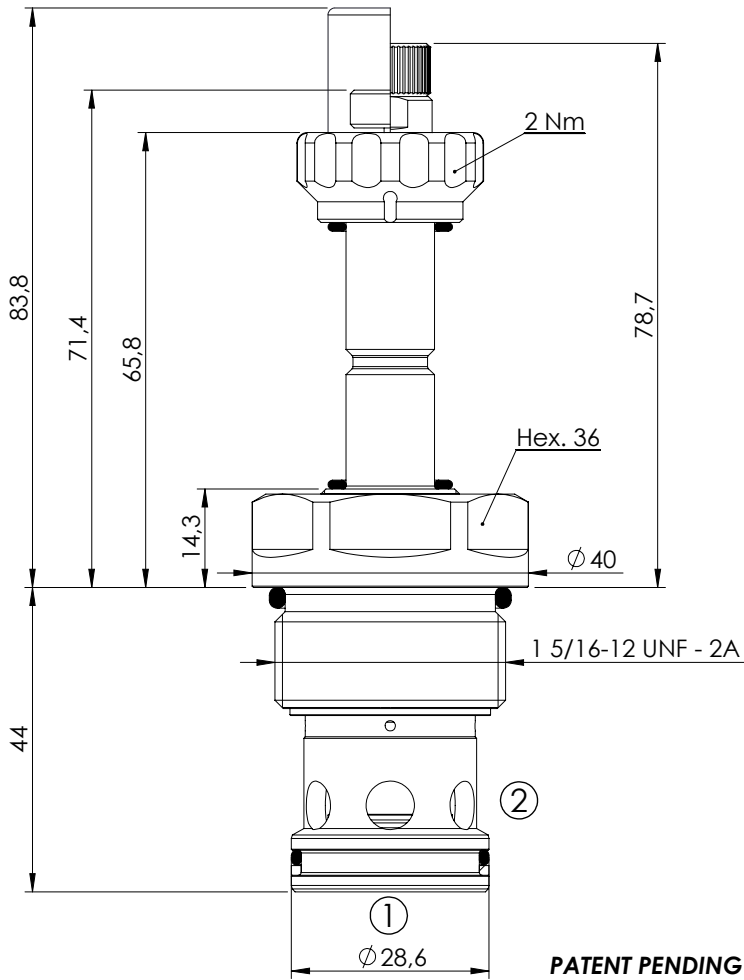
Quick code	Description	Options	Max operating pressure (bar)
CE000376	CEBN-200-NAFN-06-013-N350	Standard	350
CE000377	CEBN-200-NAFP-06-013-N350	Push style override	350
CE000378	CEBN-200-NAFK-06-013-N350	Knob style override	350
CE000676	CEBN-200-NAFN-06-013-N500	Standard	500
CE000677	CEBN-200-NAFP-06-013-N500	Push style override	500
CE000678	CEBN-200-NAFK-06-013-N500	Knob style override	500



**SOLENOID OPERATED CARTRIDGE**

**CEBN-300-NAFN**

**PILOT OPERATED  
POPPET TYPE**

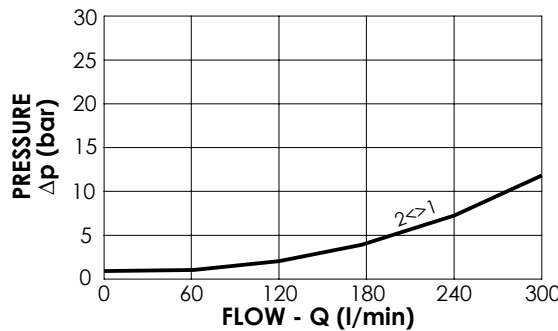


**SPECIFICATIONS**

Max. operating pressure:	350/500 bar
Rated flow:	300 l/min
Cavity:	SAE-16-2N
Weight:	0,36 kg
Min. voltage required:	90% of nominal
Coil type:	M7 type
Seal kit:	RA900084

**NOTES**

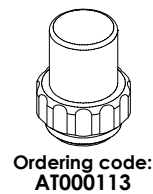
Installation torque: 118 - 132 Nm



**OPTIONS**

- Standard
- Push style override
- Knob style override

**SEALING CAP**



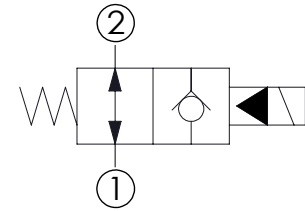
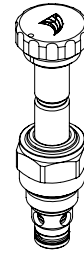
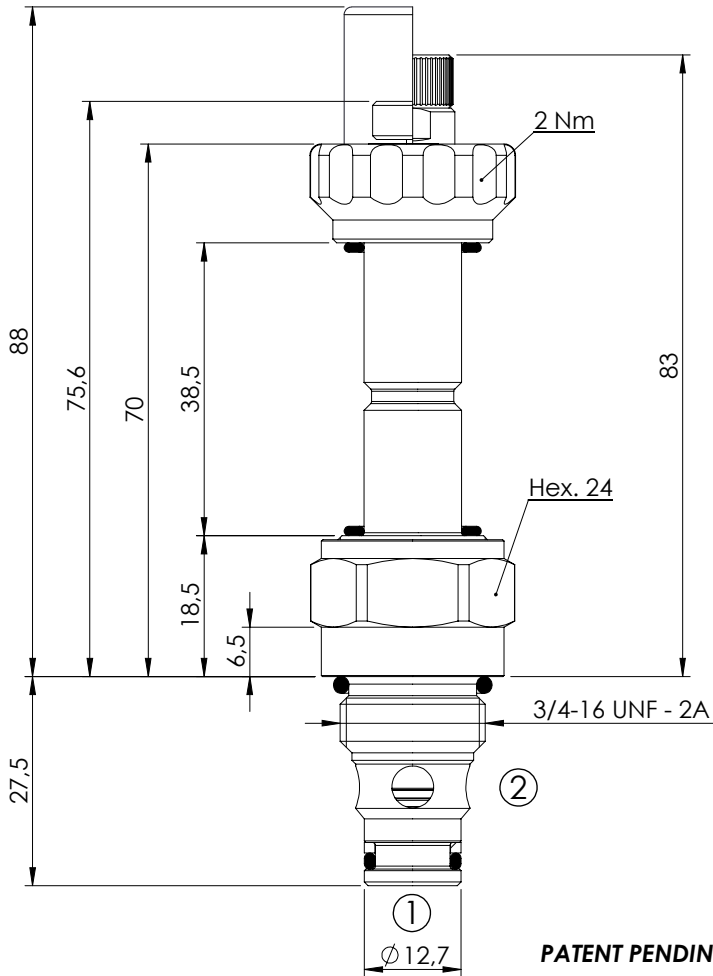
**ORDERING CODES**

Quick code	Description	Options	Max operating pressure (bar)
CE000411	CEBN-300-NAFN-06-S16-N350	Standard	350
CE000412	CEBN-300-NAFP-06-S16-N350	Push style override	350
CE000413	CEBN-300-NAFK-06-S16-N350	Knob style override	350
CE000711	CEBN-300-NAFN-06-S16-N500	Standard	500
CE000712	CEBN-300-NAFP-06-S16-N500	Push style override	500
CE000713	CEBN-300-NAFK-06-S16-N500	Knob style override	500

**SOLENOID OPERATED CARTRIDGE**

**CEBN-040-NAFN**

**PILOT OPERATED  
POPPET TYPE**

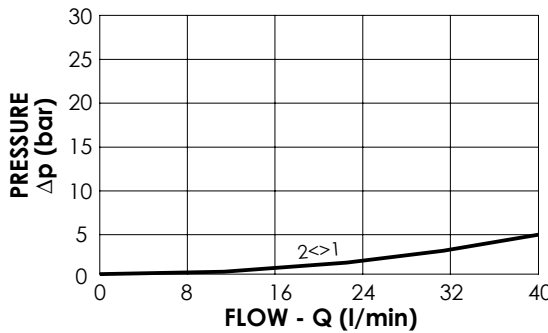


**SPECIFICATIONS**

Max. operating pressure:	350/500 bar
Rated flow:	40 l/min
Cavity:	SAE-08-2N
Weight:	0,14 kg
Min. voltage required:	90% of nominal
Coil type:	M7 type
Seal kit:	RA900081

**NOTES**

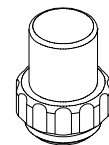
Installation torque: 45 - 50 Nm



**OPTIONS**

- Standard
- Push style override
- Knob style override

**SEALING CAP**



Ordering code:  
AT000113

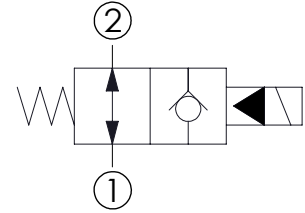
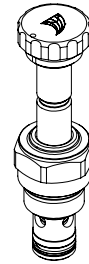
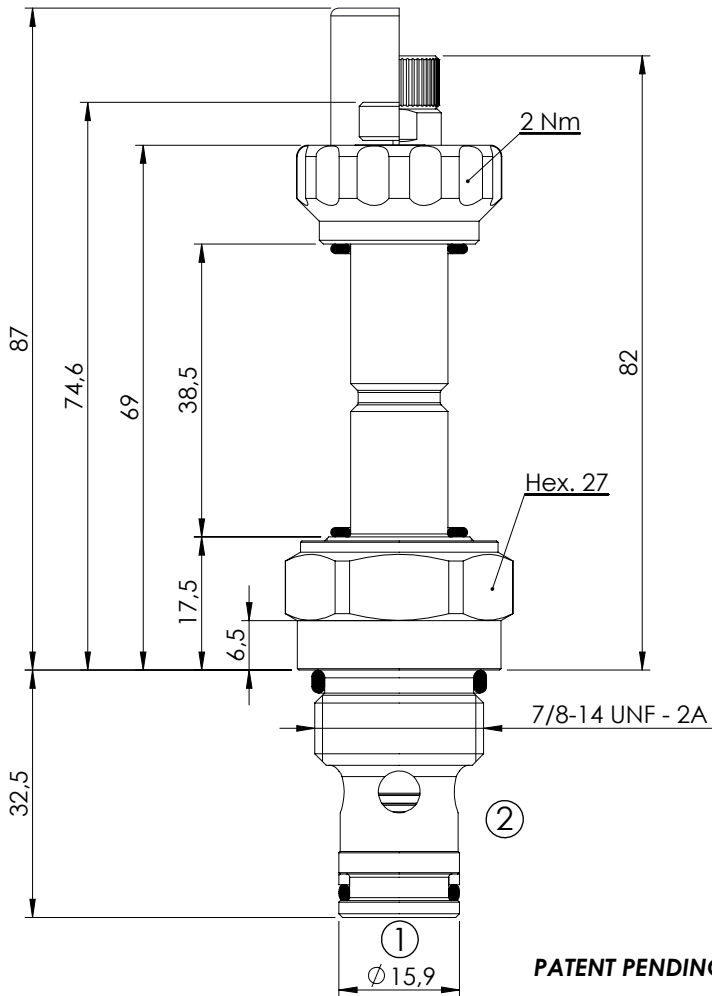
**ORDERING CODES**

Quick code	Description	Options	Max operating pressure (bar)
CE000233	CEBN-040-NAFN-04-S08-N350	Standard	350
CE000234	CEBN-040-NAFP-04-S08-N350	Push style override	350
CE000235	CEBN-040-NAFK-04-S08-N350	Knob style override	350
CE000533	CEBN-040-NAFN-04-S08-N500	Standard	500
CE000534	CEBN-040-NAFP-04-S08-N500	Push style override	500
CE000535	CEBN-040-NAFK-04-S08-N500	Knob style override	500

**SOLENOID OPERATED CARTRIDGE**

**CEBN-070-NAFN**

**PILOT OPERATED  
POPPET TYPE**

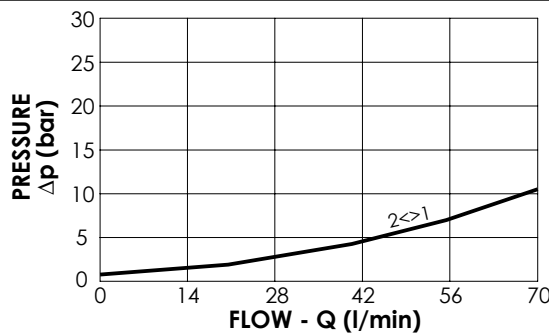


**SPECIFICATIONS**

Max. operating pressure:	350 bar
Rated flow:	70 l/min
Cavity:	SAE-10-2N
Weight:	0,18 kg
Min. voltage required:	90% of nominal
Coil type:	M7 type
Seal kit:	RA900082

**NOTES**

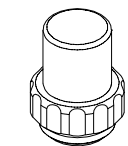
Installation torque: 55 - 62 Nm



**OPTIONS**

- Standard
- Push style override
- Knob style override

**SEALING CAP**



Ordering code:  
AT000113

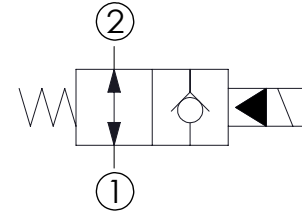
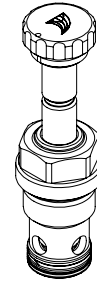
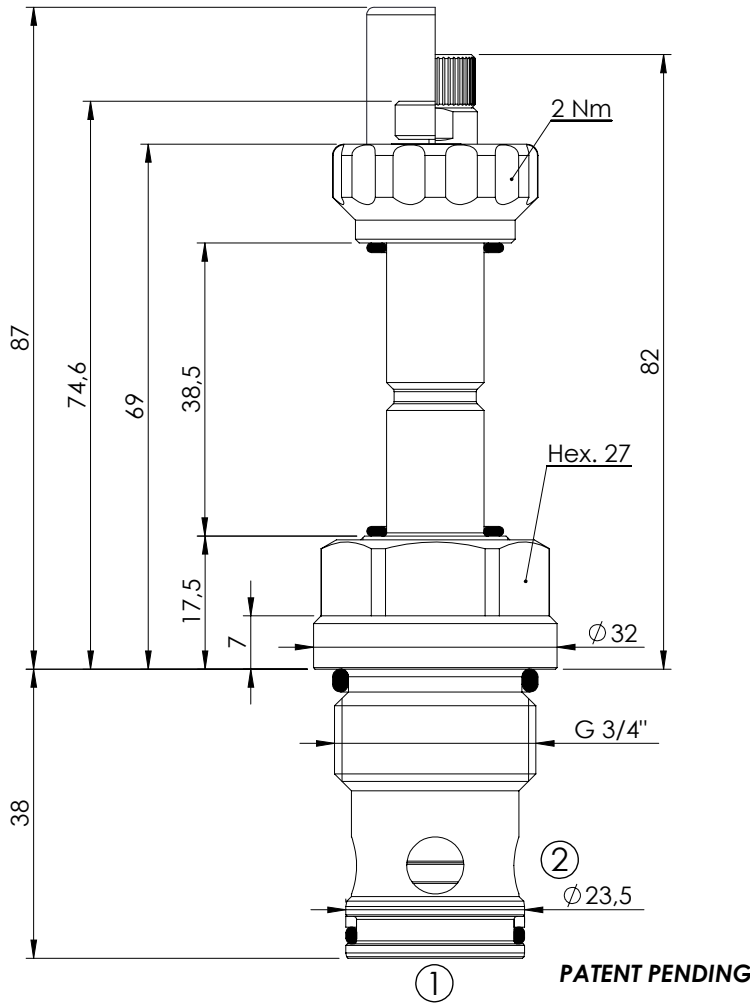
**ORDERING CODES**

Quick code	Description	Options	Max operating pressure (bar)
CE000268	CEBN-070-NAFN-04-S10-N350	Standard	350
CE000269	CEBN-070-NAFP-04-S10-N350	Push style override	350
CE000270	CEBN-070-NAFK-04-S10-N350	Knob style override	350
CE000568	CEBN-070-NAFN-04-S10-N500	Standard	500
CE000569	CEBN-070-NAFP-04-S10-N500	Push style override	500
CE000570	CEBN-070-NAFK-04-S10-N500	Knob style override	500

**SOLENOID OPERATED CARTRIDGE**

**CEBN-100-NAFN**

**PILOT OPERATED  
POPPET TYPE**

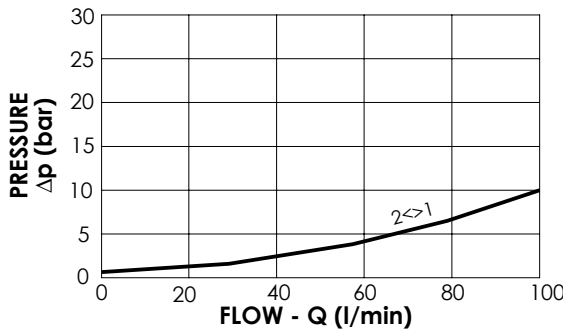


**SPECIFICATIONS**

Max. operating pressure:	350/500 bar
Rated flow:	100 l/min
Cavity:	VP000057
Weight:	0,25 kg
Min. voltage required:	90% of nominal
Coil type:	M7 type
Seal kit:	RC900057

**NOTES**

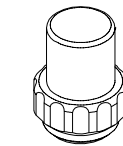
Installation torque: 110 - 130 Nm



**OPTIONS**

- Standard
- Push style override
- Knob style override

**SEALING CAP**



Ordering code:  
AT000113

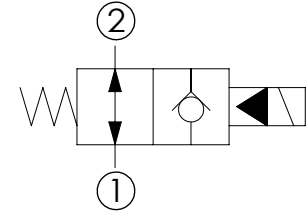
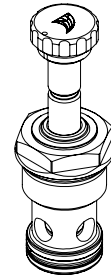
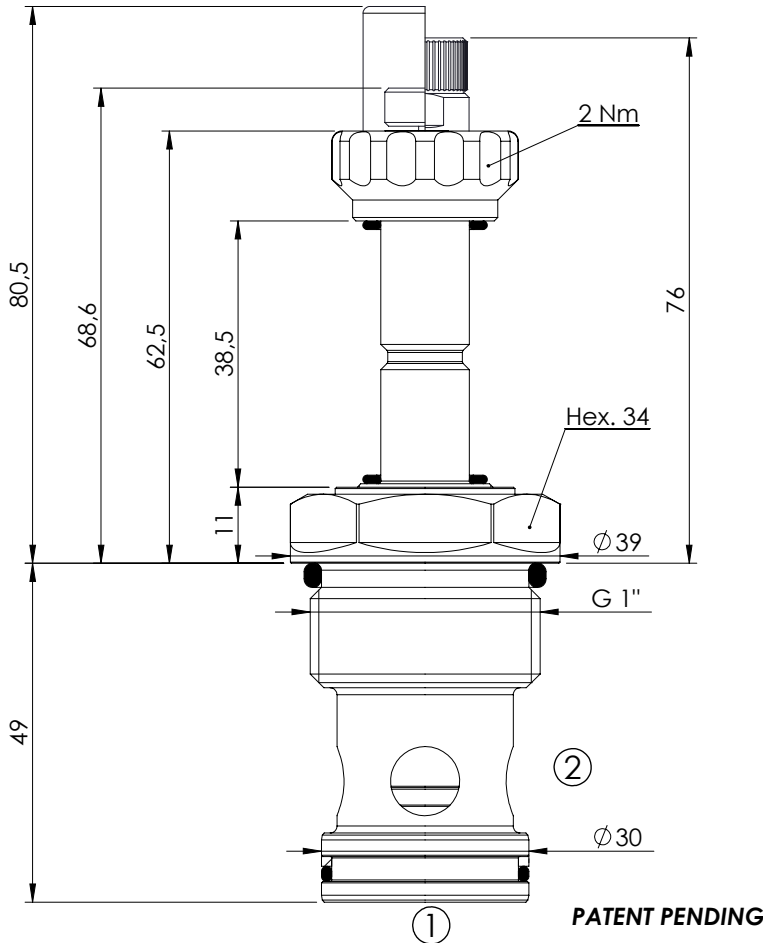
**ORDERING CODES**

Quick code	Description	Options	Max operating pressure (bar)
CE000303	CEBN-100-NAFN-04-057-N350	Standard	350
CE000304	CEBN-100-NAFP-04-057-N350	Push style override	350
CE000305	CEBN-100-NAFK-04-057-N350	Knob style override	350
CE000603	CEBN-100-NAFN-04-057-N500	Standard	500
CE000604	CEBN-100-NAFP-04-057-N500	Push style override	500
CE000605	CEBN-100-NAFK-04-057-N500	Knob style override	500

**SOLENOID OPERATED CARTRIDGE**

**CEBN-200-NAFN**

**PILOT OPERATED  
POPPET TYPE**

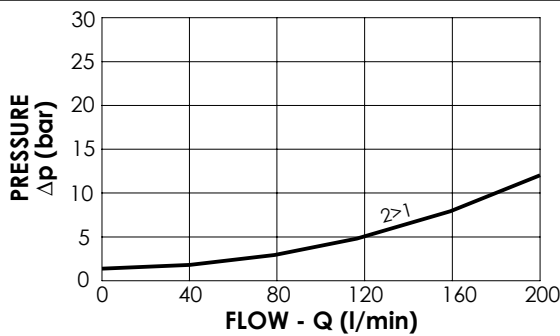


**SPECIFICATIONS**

Max. operating pressure:	350/500 bar
Rated flow:	200 l/min
Cavity:	VP000013
Weight:	0,35 kg
Min. voltage required:	90% of nominal
Coil type:	M7 type
Seal kit:	RC900013

**NOTES**

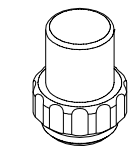
Installation torque: 135 - 150 Nm



**OPTIONS**

- Standard
- Push style override
- Knob style override

**SEALING CAP**



Ordering code:  
AT000113

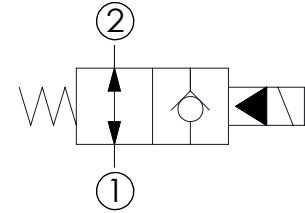
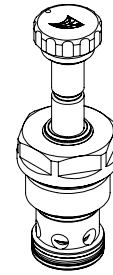
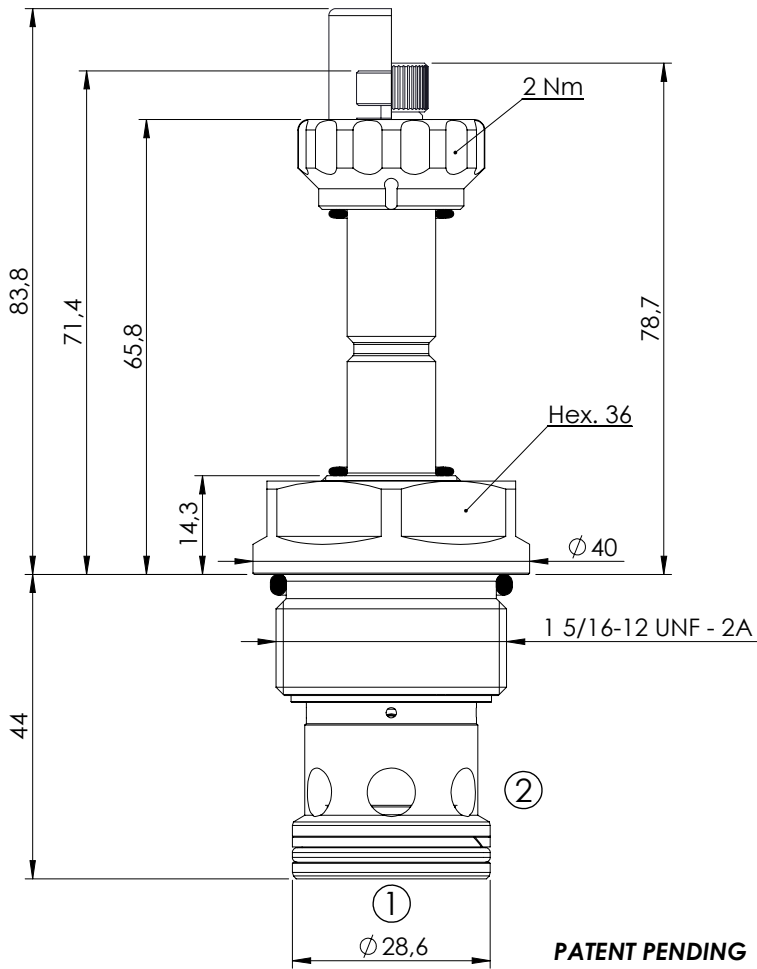
**ORDERING CODES**

Quick code	Description	Options	Max operating pressure (bar)
CE000373	CEBN-200-NAFN-04-013-N350	Standard	350
CE000374	CEBN-200-NAFP-04-013-N350	Push style override	350
CE000375	CEBN-200-NAFK-04-013-N350	Knob style override	350
CE000673	CEBN-200-NAFN-04-013-N500	Standard	500
CE000674	CEBN-200-NAFP-04-013-N500	Push style override	500
CE000675	CEBN-200-NAFK-04-013-N500	Knob style override	500

**SOLENOID OPERATED CARTRIDGE**

**CEBN-300-NAFN**

**PILOT OPERATED  
POPPET TYPE**

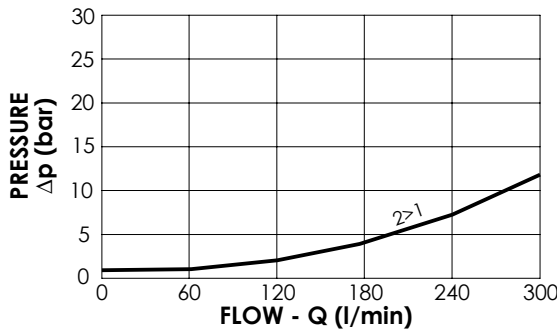


**SPECIFICATIONS**

Max. operating pressure:	350/500 bar
Rated flow:	300 l/min
Cavity:	SAE-16-2N
Weight:	0,37 kg
Min. voltage required:	90% of nominal
Coil type:	M7 type
Seal kit:	RA700084

**NOTES**

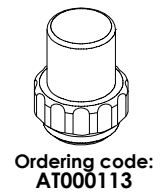
Installation torque: 118 - 132 Nm



**OPTIONS**

- Standard
- Push style override
- Knob style override

**SEALING CAP**



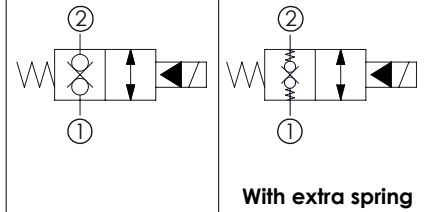
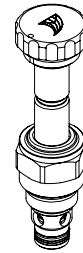
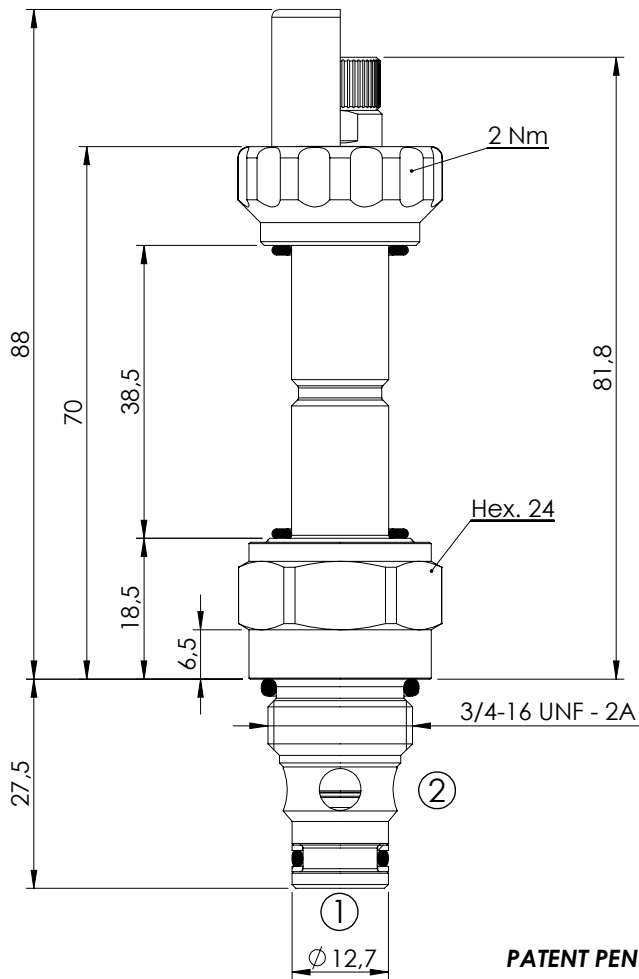
**ORDERING CODES**

Quick code	Description	Options	Max operating pressure (bar)
CE000408	CEBN-300-NAFN-04-S16-N350	Standard	350
CE000409	CEBN-300-NAFP-04-S16-N350	Push style override	350
CE000410	CEBN-300-NAFK-04-S16-N350	Knob style override	350
CE000708	CEBN-300-NAFN-04-S16-N500	Standard	500
CE000709	CEBN-300-NAFP-04-S16-N500	Push style override	500
CE000710	CEBN-300-NAFK-04-S16-N500	Knob style override	500

**SOLENOID OPERATED CARTRIDGE**

**CEBN-040-NCFN**

**PILOT OPERATED  
POPPET TYPE**

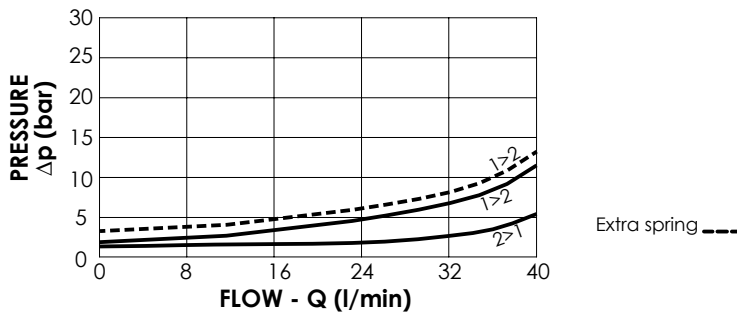


**SPECIFICATIONS**

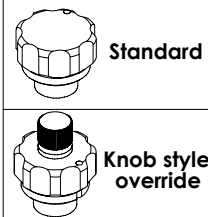
Max. operating pressure:	350/500 bar
Rated flow:	40 l/min
Cavity:	SAE-08-2N
Weight:	0,14 kg
Min. voltage required:	90% of nominal
Coil type:	M7 type
Seal kit:	RB900081

**NOTES**

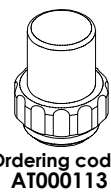
Installation torque: 45 - 50 Nm



**OPTIONS**



**SEALING CAP**



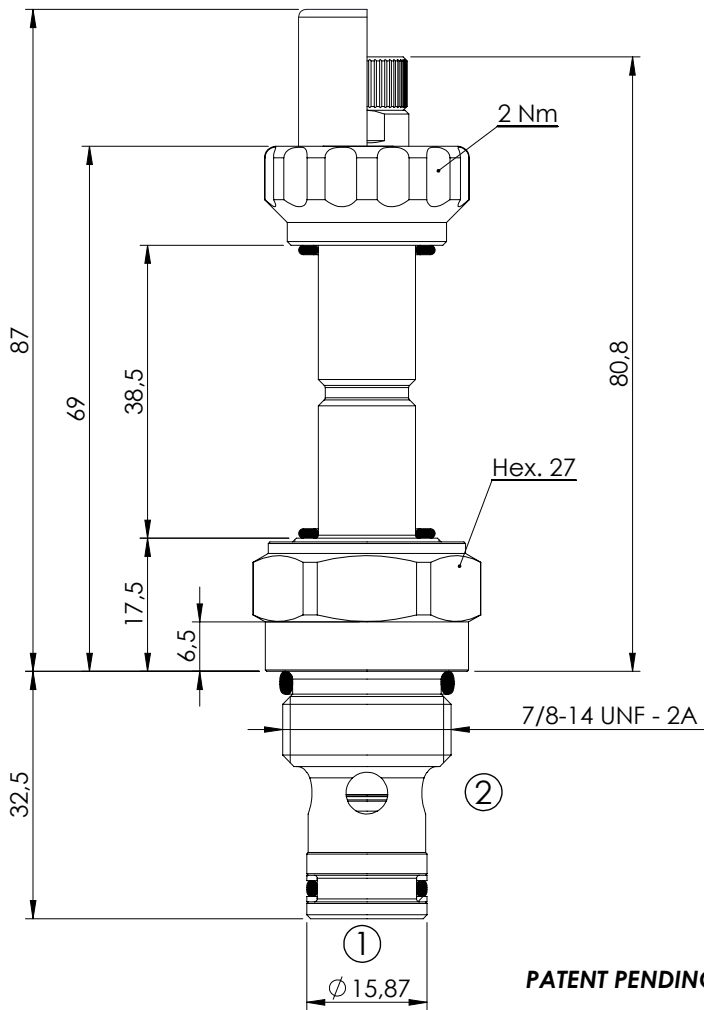
**ORDERING CODES**

Quick code	Description	Options	Max operating pressure (bar)	Extra Spring
CE000226	CEBN-040-NCFN-31-S08-N350	Standard	350	No
CE000228	CEBN-040-NCFK-31-S08-N350	Knob style override	350	No
CE000227	CEBN-040-XCFN-31-S08-N350	Standard	350	Yes
CE000229	CEBN-040-XCFK-31-S08-N350	Knob style override	350	Yes
CE000526	CEBN-040-NCFN-31-S08-N500	Standard	500	No
CE000528	CEBN-040-NCFK-31-S08-N500	Knob style override	500	No

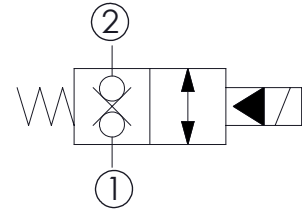
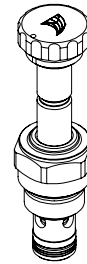
**SOLENOID OPERATED CARTRIDGE**

**CEBN-070-NCFN**

**PILOT OPERATED  
POPPET TYPE**



PATENT PENDING



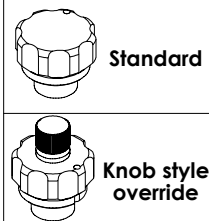
**SPECIFICATIONS**

Max. operating pressure:	350/500 bar
Rated flow:	70 l/min
Cavity:	SAE-10-2N
Weight:	0,18 kg
Min. voltage required:	90% of nominal
Coil type:	M7 type
Seal kit:	RB900082

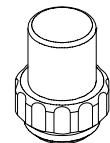
**NOTES**

Installation torque: 55 - 62 Nm

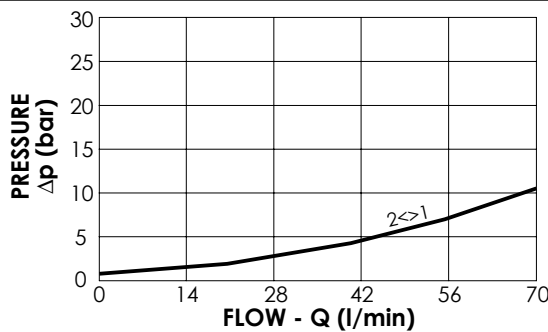
**OPTIONS**



**SEALING CAP**



Ordering code:  
AT000113



**ORDERING CODES**

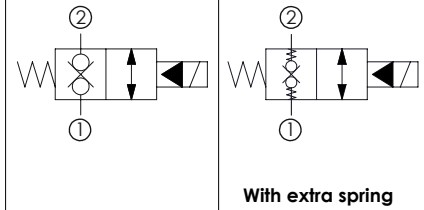
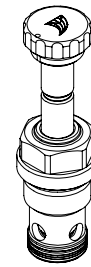
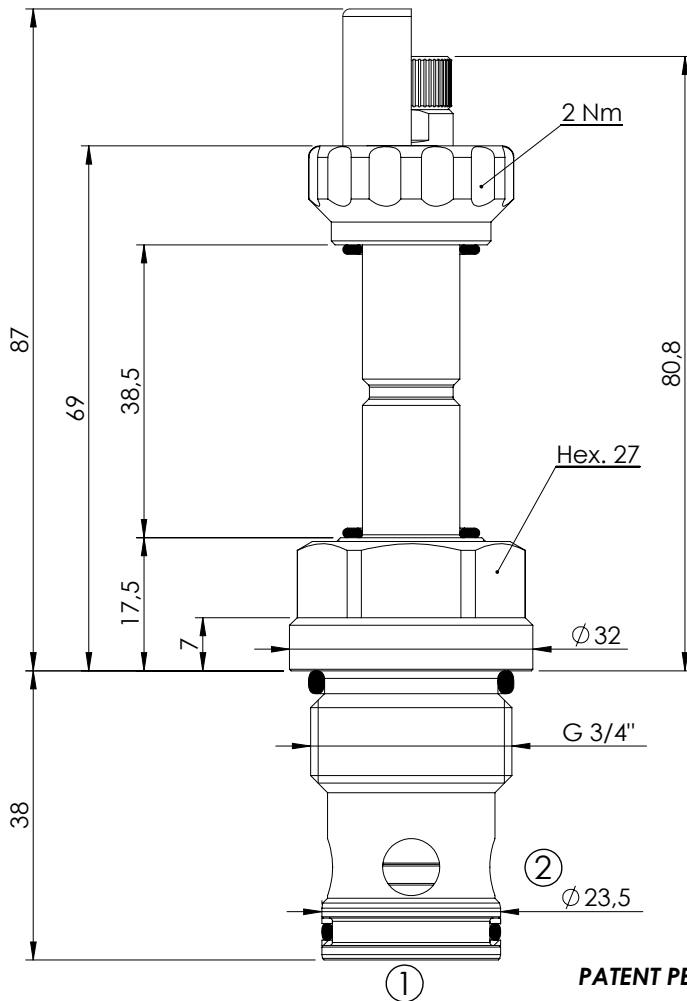
Quick code	Description	Options	Max operating pressure (bar)
CE000261	CEBN-070-NCFN-31-S10-N350	Standard	350
CE000263	CEBN-070-NCFK-31-S10-N350	Knob style override	350
CE000561	CEBN-070-NCFN-31-S10-N500	Standard	500
CE000563	CEBN-070-NCFK-31-S10-N500	Knob style override	500



**SOLENOID OPERATED CARTRIDGE**

**CEBN-100-NCFN**

**PILOT OPERATED  
POPPET TYPE**

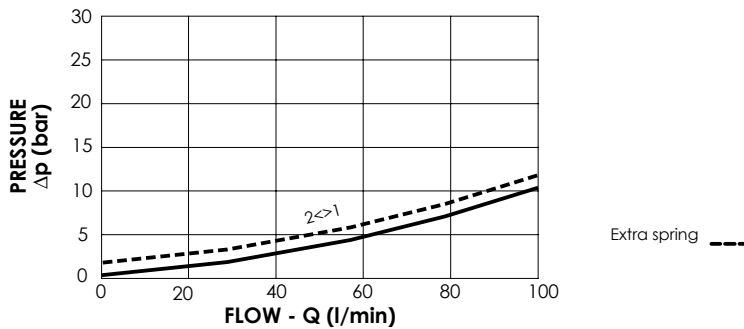


**SPECIFICATIONS**

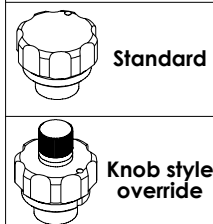
Max. operating pressure:	350/500 bar
Rated flow:	100 l/min
Cavity:	VP000057
Weight:	0,25 kg
Min. voltage required:	90% of nominal
Coil type:	M7 type
Seal kit:	RD900057

**NOTES**

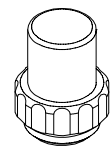
Installation torque: 110 - 130 Nm



**OPTIONS**



**SEALING CAP**



Ordering code:  
AT000113

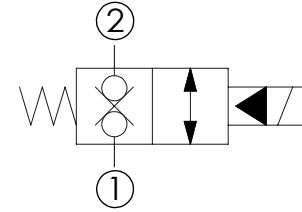
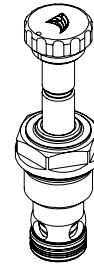
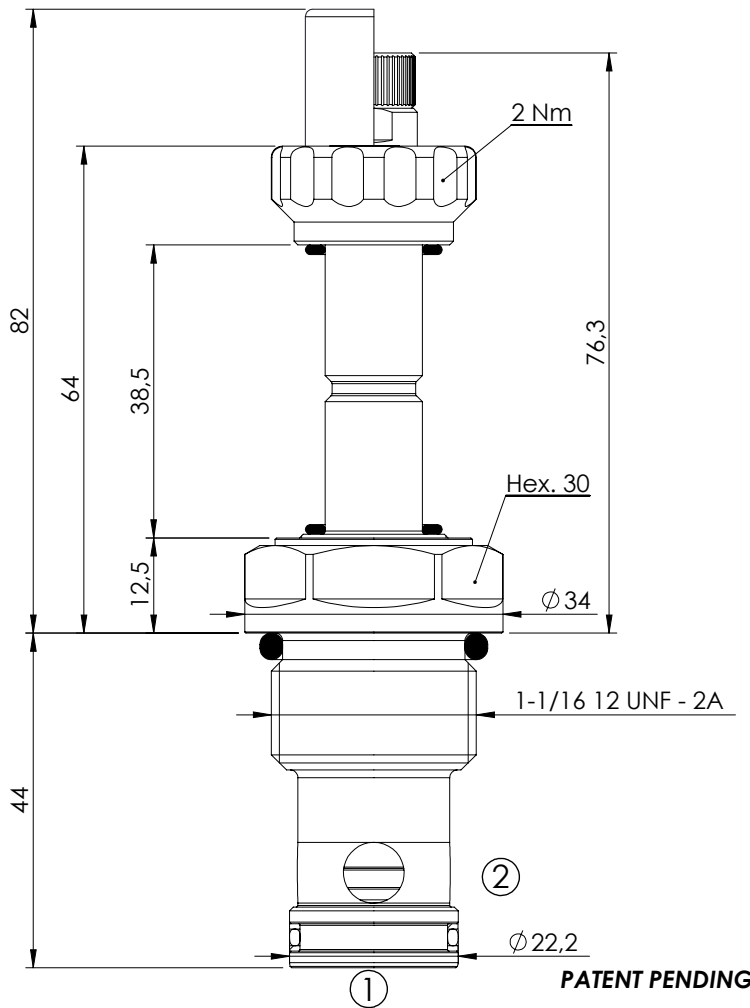
**ORDERING CODES**

Quick code	Description	Options	Max operating pressure (bar)	Extra Spring
CE000296	CEBN-100-NCFN-31-057-N350	Standard	350	No
CE000298	CEBN-100-NCFK-31-057-N350	Knob style override	350	No
CE000297	CEBN-100-XCFN-31-057-N350	Standard	350	Yes
CE000299	CEBN-100-XCFK-31-057-N350	Knob style override	350	Yes
CE000596	CEBN-100-NCFN-31-057-N500	Standard	500	No
CE000598	CEBN-100-NCFK-31-057-N500	Knob style override	500	No

**SOLENOID OPERATED CARTRIDGE**

**CEBN-180-NCFN**

**PILOT OPERATED  
POPPET TYPE**



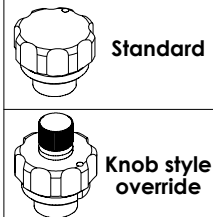
**SPECIFICATIONS**

Max. operating pressure:	350/500 bar
Rated flow:	180 l/min
Cavity:	SAE-12-2N
Weight:	0,25 kg
Min. voltage required:	90% of nominal
Coil type:	M7 type
Seal kit:	RB900083

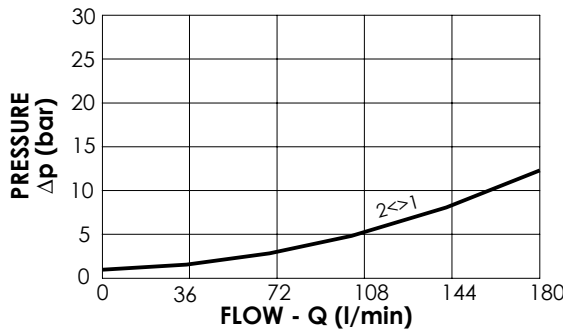
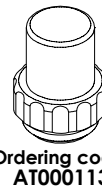
**NOTES**

Installation torque: 135 - 150 Nm

**OPTIONS**



**SEALING CAP**



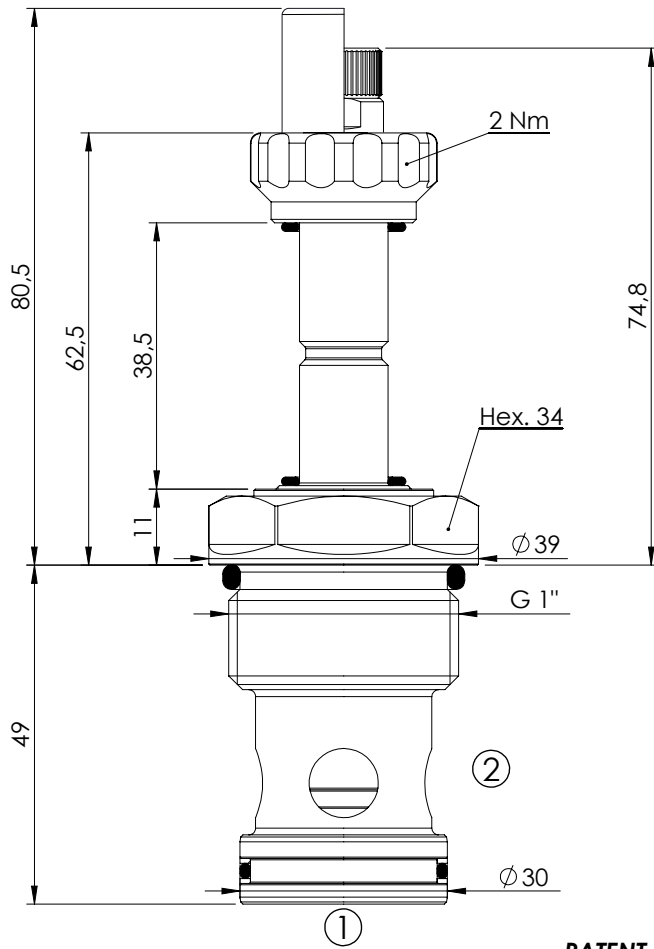
**ORDERING CODES**

Quick code	Description	Options	Max operating pressure (bar)
CE000331	CEBN-180-NCFN-31-S12-N350	Standard	350
CE000333	CEBN-180-NCFK-31-S12-N350	Knob style override	350
CE000631	CEBN-180-NCFN-31-S12-N500	Standard	500
CE000633	CEBN-180-NCFK-31-S12-N500	Knob style override	500

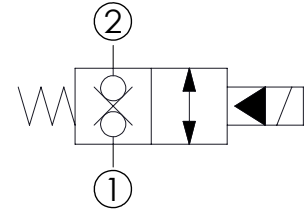
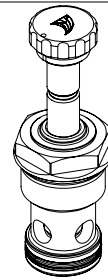
**SOLENOID OPERATED CARTRIDGE**

**CEBN-200-NCFN**

**PILOT OPERATED  
POPPET TYPE**



PATENT PENDING

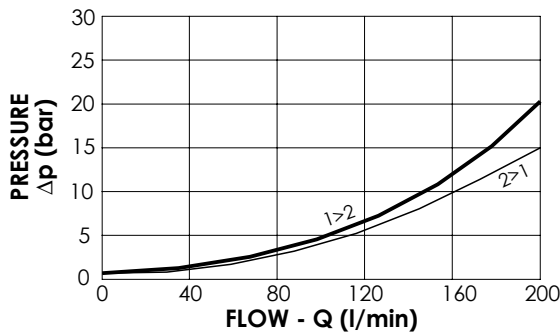


**SPECIFICATIONS**

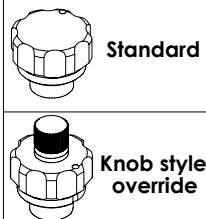
Max. operating pressure:	350/500 bar
Rated flow:	200 l/min
Cavity:	VP000013
Weight:	0,35 kg
Min. voltage required:	90% of nominal
Coil type:	M7 type
Seal kit:	RD900013

**NOTES**

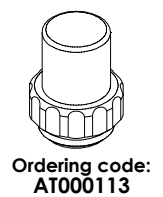
Installation torque: 135 - 150 Nm



**OPTIONS**



**SEALING CAP**



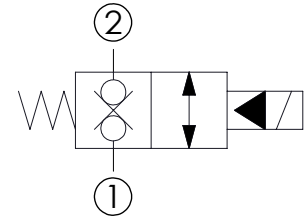
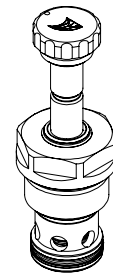
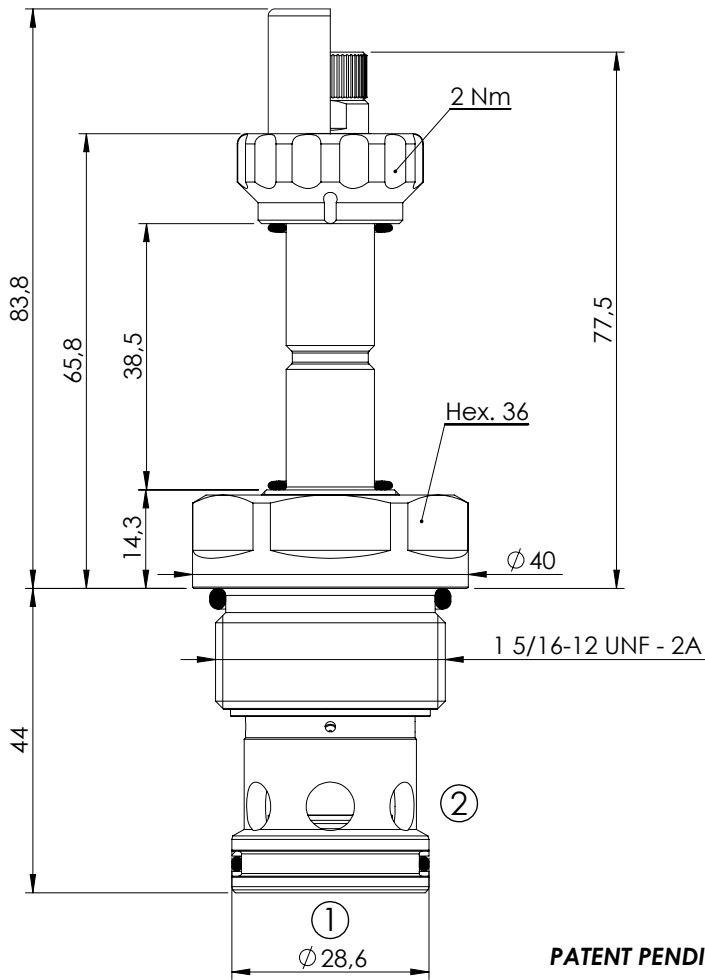
**ORDERING CODES**

Quick code	Description	Options	Max operating pressure (bar)
CE000366	CEBN-200-NCFN-31-013-N350	Standard	350
CE000368	CEBN-200-NCFK-31-013-N350	Knob style override	350
CE000666	CEBN-200-NCFN-31-013-N500	Standard	500
CE000668	CEBN-200-NCFK-31-013-N500	Knob style override	500

**SOLENOID OPERATED CARTRIDGE**

**CEBN-300-NCFN**

**PILOT OPERATED  
POPPET TYPE**

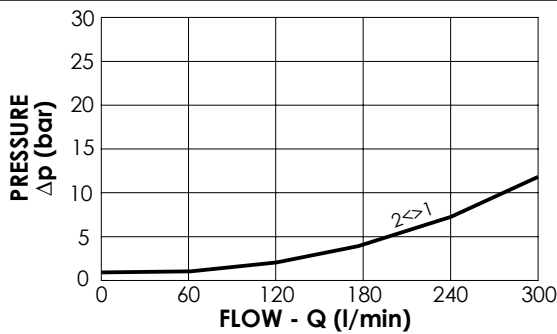


**SPECIFICATIONS**

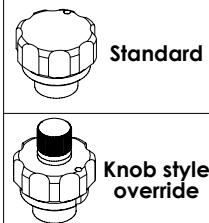
Max. operating pressure:	350/500 bar
Rated flow:	300 l/min
Cavity:	SAE-16-2N
Weight:	0,36 kg
Min. voltage required:	90% of nominal
Coil type:	M7 type
Seal kit:	RB900084

**NOTES**

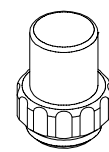
Installation torque: 118 - 132 Nm



**OPTIONS**



**SEALING CAP**



Ordering code:  
AT000113

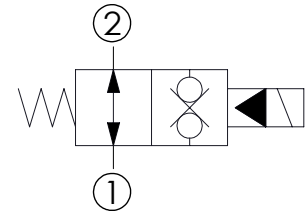
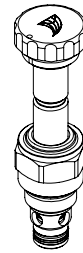
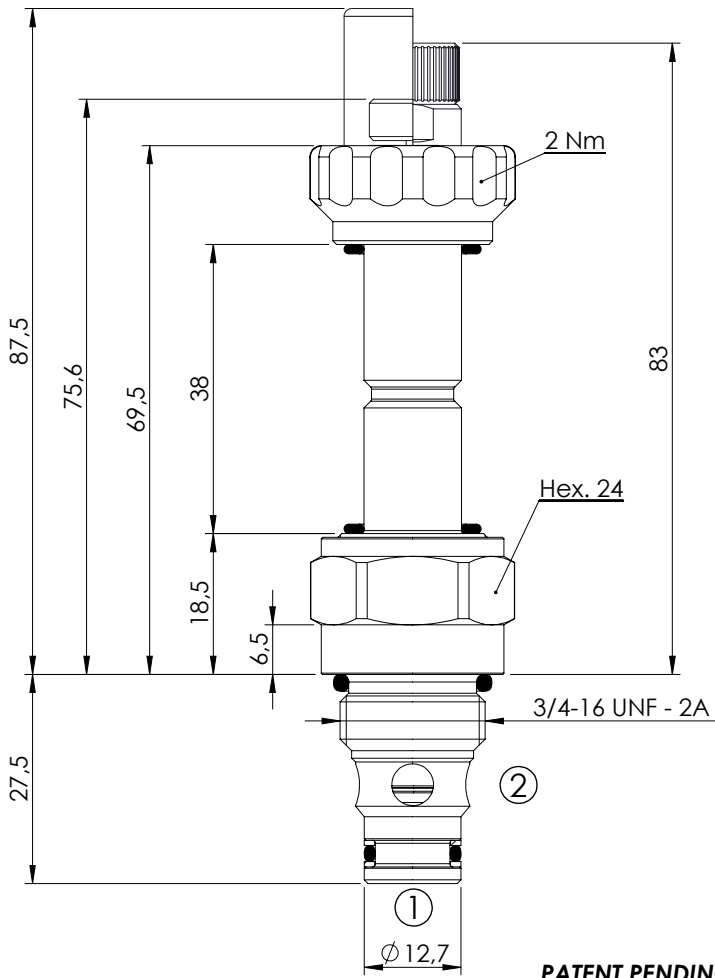
**ORDERING CODES**

Quick code	Description	Options	Max operating pressure (bar)
CE000401	CEBN-300-NCFN-31-S16-N350	Standard	350
CE000403	CEBN-300-NCFK-31-S16-N350	Knob style override	350
CE000701	CEBN-300-NCFN-31-S16-N500	Standard	500
CE000703	CEBN-300-NCFK-31-S16-N500	Knob style override	500

**SOLENOID OPERATED CARTRIDGE**

**CEBN-040-NAFN**

**PILOT OPERATED  
POPPET TYPE**

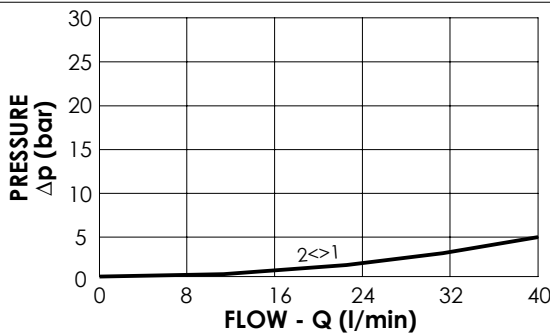


**SPECIFICATIONS**

Max. operating pressure:	350/500 bar
Rated flow:	40 l/min
Cavity:	SAE-08-2N
Weight:	0,14 kg
Min. voltage required:	90% of nominal
Coil type:	M7 type
Seal kit:	RB900081

**NOTES**

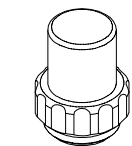
Installation torque: 45 - 50 Nm



**OPTIONS**

- Standard
- Push style override
- Knob style override

**SEALING CAP**



Ordering code:  
AT000113

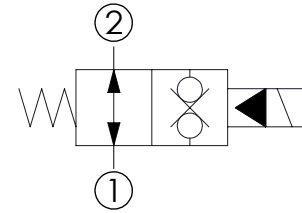
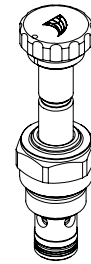
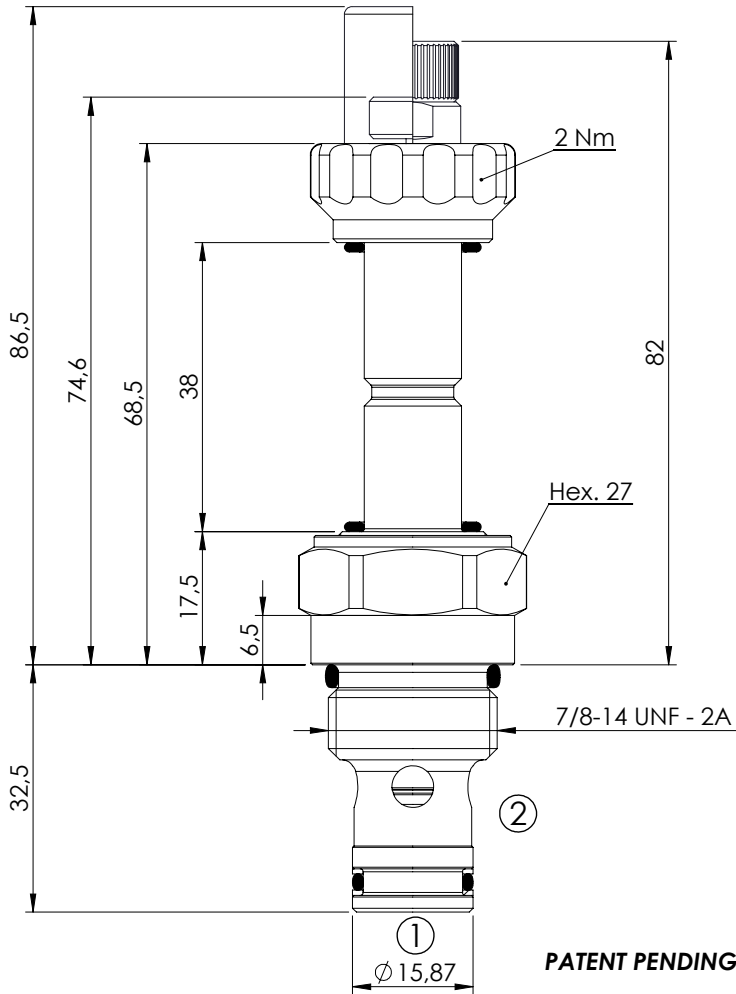
**ORDERING CODES**

Quick code	Description	Options	Max operating pressure (bar)
CE000242	CEBN-040-NAFN-32-S08-N350	Standard	350
CE000243	CEBN-040-NAFP-32-S08-N350	Push style override	350
CE000244	CEBN-040-NAFK-32-S08-N350	Knob style override	350
CE000542	CEBN-040-NAFN-32-S08-N500	Standard	500
CE000543	CEBN-040-NAFP-32-S08-N500	Push style override	500
CE000544	CEBN-040-NAFK-32-S08-N500	Knob style override	500

**SOLENOID OPERATED CARTRIDGE**

**CEBN-070-NAFN**

**PILOT OPERATED  
POPPET TYPE**

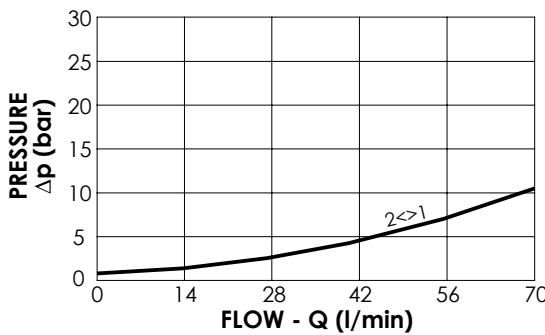


**SPECIFICATIONS**

Max. operating pressure:	350/500 bar
Rated flow:	70 l/min
Cavity:	SAE-10-2N
Weight:	0,18 kg
Min. voltage required:	90% of nominal
Coil type:	M7 type
Seal kit:	RB900082

**NOTES**

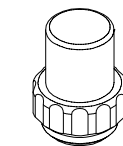
Installation torque: 55 - 62 Nm



**OPTIONS**

- Standard
- Push style override
- Knob style override

**SEALING CAP**



Ordering code:  
AT000113

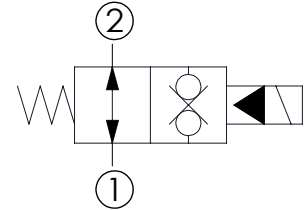
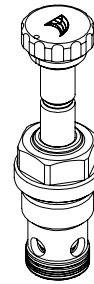
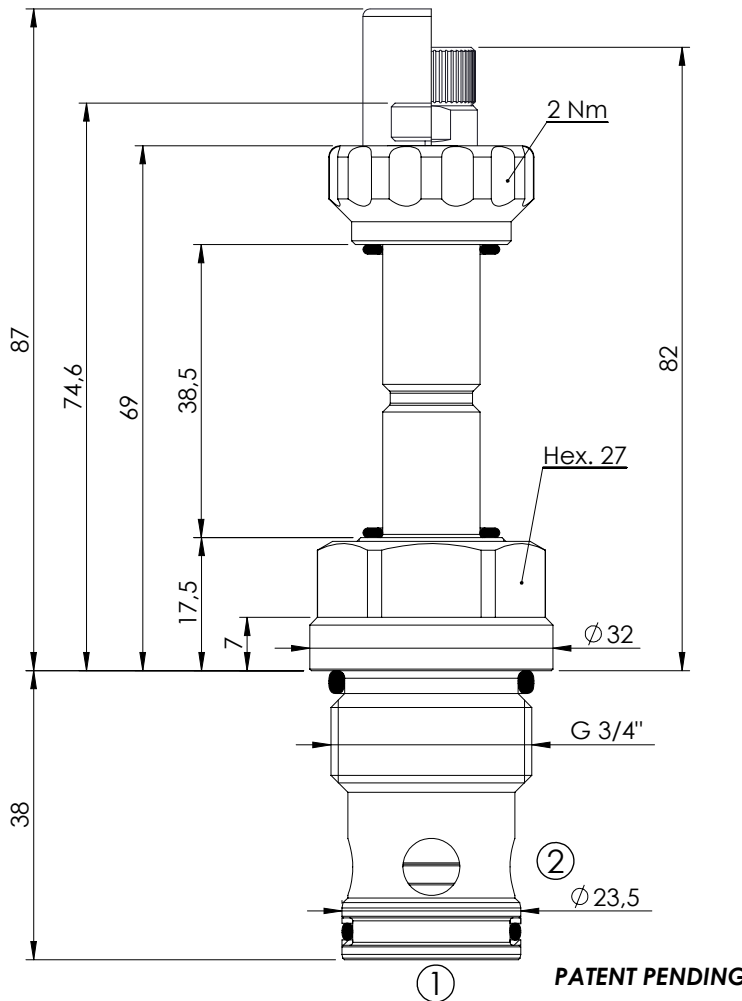
**ORDERING CODES**

Quick code	Description	Options	Max operating pressure (bar)
CE000277	CEBN-070-NAFN-32-S10-N350	Standard	350
CE000278	CEBN-070-NAFP-32-S10-N350	Push style override	350
CE000279	CEBN-070-NAFK-32-S10-N350	Knob style override	350
CE000577	CEBN-070-NAFN-32-S10-N500	Standard	500
CE000578	CEBN-070-NAFP-32-S10-N500	Push style override	500
CE000579	CEBN-070-NAFK-32-S10-N500	Knob style override	500

**SOLENOID OPERATED CARTRIDGE**

**CEBN-100-NAFN**

**PILOT OPERATED  
POPPET TYPE**

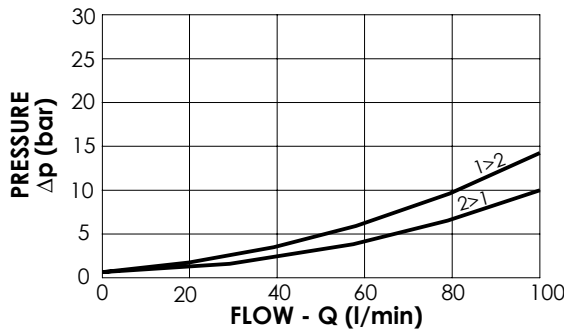


**SPECIFICATIONS**

Max. operating pressure:	350/500 bar
Rated flow:	100 l/min
Cavity:	VP000057
Weight:	0,25 kg
Min. voltage required:	90% of nominal
Coil type:	M7 type
Seal kit:	RD900057

**NOTES**

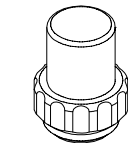
Installation torque: 110 - 130 Nm



**OPTIONS**

- Standard
- Push style override
- Knob style override

**SEALING CAP**



Ordering code:  
AT000113

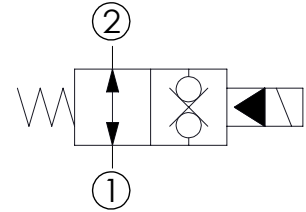
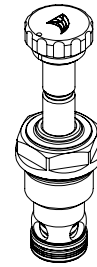
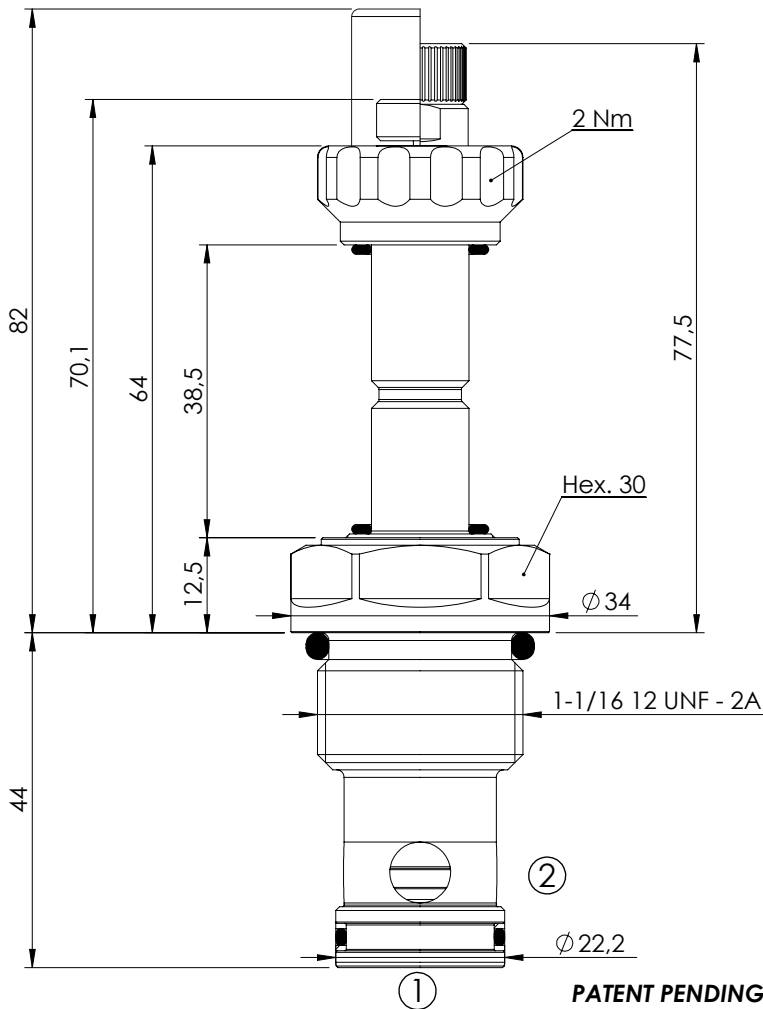
**ORDERING CODES**

Quick code	Description	Options	Max operating pressure (bar)
CE000312	CEBN-100-NAFN-32-057-N350	Standard	350
CE000313	CEBN-100-NAFP-32-057-N350	Push style override	350
CE000314	CEBN-100-NAFK-32-057-N350	Knob style override	350
CE000612	CEBN-100-NAFN-32-057-N500	Standard	500
CE000613	CEBN-100-NAFP-32-057-N500	Push style override	500
CE000614	CEBN-100-NAFK-32-057-N500	Knob style override	500

**SOLENOID OPERATED CARTRIDGE**

**CEBN-180-NAFN**

**PILOT OPERATED  
POPPET TYPE**

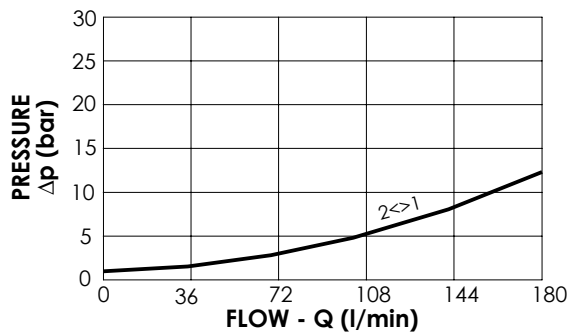


**SPECIFICATIONS**

Max. operating pressure:	350/500 bar
Rated flow:	180 l/min
Cavity:	SAE-12-2N
Weight:	0,25 kg
Min. voltage required:	90% of nominal
Coil type:	M7 type
Seal kit:	RB900083

**NOTES**

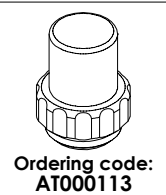
Installation torque: 135 - 150 Nm



**OPTIONS**

- Standard
- Push style override
- Knob style override

**SEALING CAP**



**ORDERING CODES**

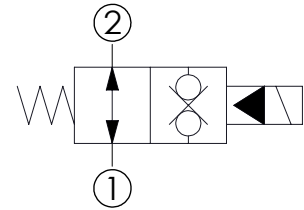
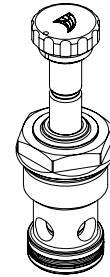
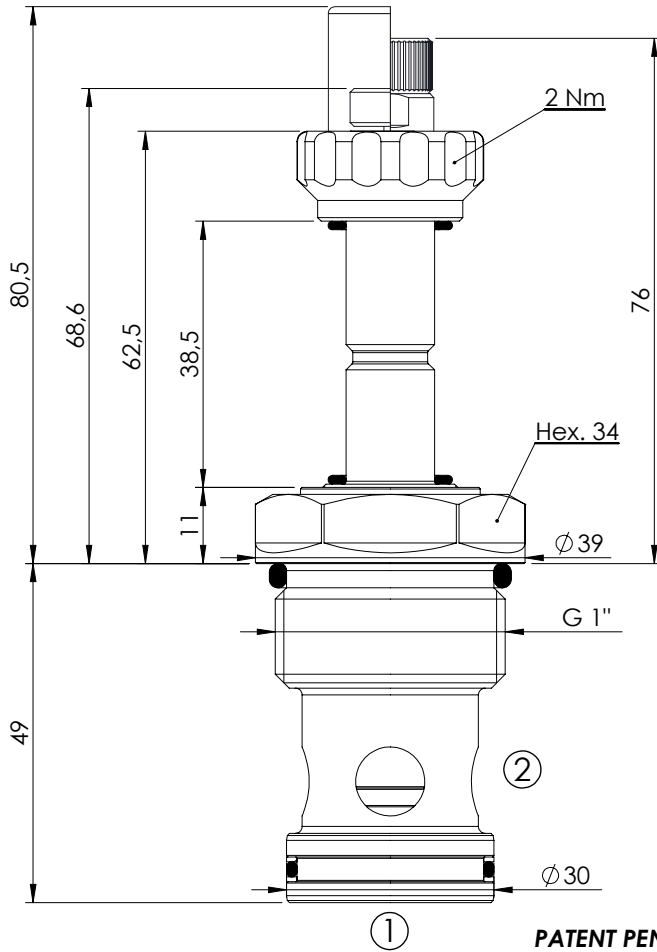
Quick code	Description	Options	Max operating pressure (bar)
CE000347	CEBN-180-NAFN-32-S12-N350	Standard	350
CE000348	CEBN-180-NAFP-32-S12-N350	Push style override	350
CE000349	CEBN-180-NAFK-32-S12-N350	Knob style override	350
CE000647	CEBN-180-NAFN-32-S12-N500	Standard	500
CE000648	CEBN-180-NAFP-32-S12-N500	Push style override	500
CE000649	CEBN-180-NAFK-32-S12-N500	Knob style override	500



**SOLENOID OPERATED CARTRIDGE**

**CEBN-200-NAFN**

**PILOT OPERATED  
POPPET TYPE**

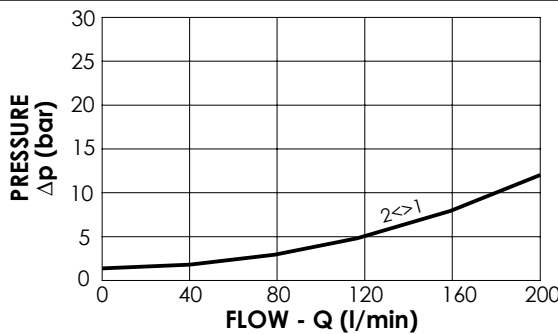


**SPECIFICATIONS**

Max. operating pressure:	350/500 bar
Rated flow:	200 l/min
Cavity:	VP000013
Weight:	0,35 kg
Min. voltage required:	90% of nominal
Coil type:	M7 type
Seal kit:	RD900013

**NOTES**

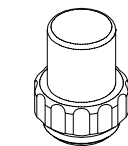
Installation torque: 135 - 150 Nm



**OPTIONS**

- Standard
- Push style override
- Knob style override

**SEALING CAP**



Ordering code:  
AT000113

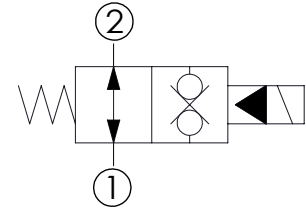
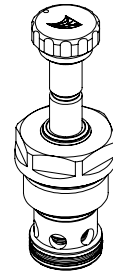
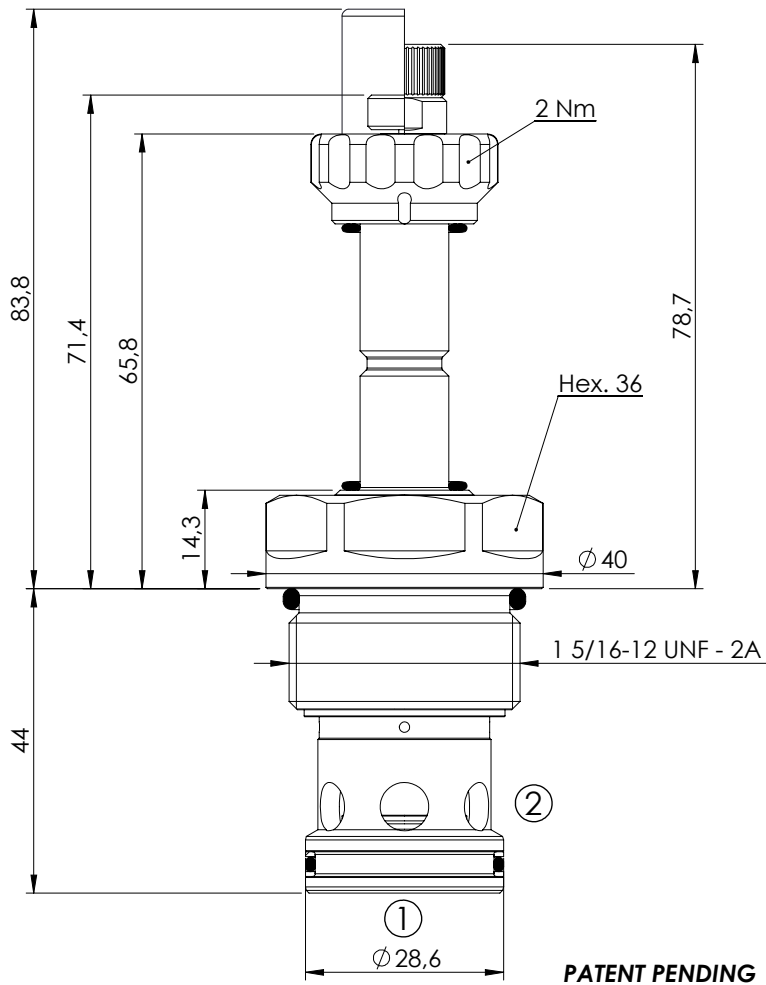
**ORDERING CODES**

Quick code	Description	Options	Max operating pressure (bar)
CE000382	CEBN-200-NAFN-32-013-N350	Standard	350
CE000383	CEBN-200-NAFP-32-013-N350	Push style override	350
CE000384	CEBN-200-NAFK-32-013-N350	Knob style override	350
CE000682	CEBN-200-NAFN-32-013-N500	Standard	500
CE000683	CEBN-200-NAFP-32-013-N500	Push style override	500
CE000684	CEBN-200-NAFK-32-013-N500	Knob style override	500

**SOLENOID OPERATED CARTRIDGE**

**CEBN-300-NAFN**

**PILOT OPERATED  
POPPET TYPE**

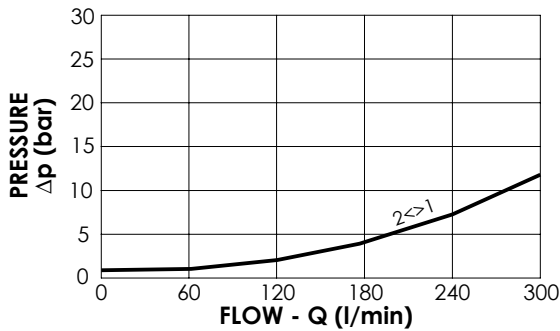


**SPECIFICATIONS**

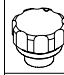
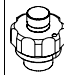
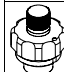
Max. operating pressure:	350/500 bar
Rated flow:	300 l/min
Cavity:	SAE-16-2N
Weight:	0,36 kg
Min. voltage required:	90% of nominal
Coil type:	M7 type
Seal kit:	RB900084

**NOTES**

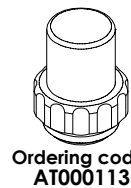
Installation torque: 118 - 132 Nm



**OPTIONS**

-  Standard
-  Push style override
-  Knob style override

**SEALING CAP**



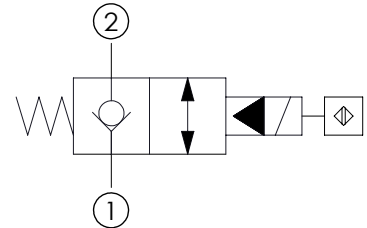
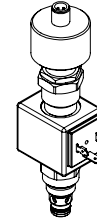
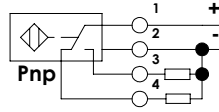
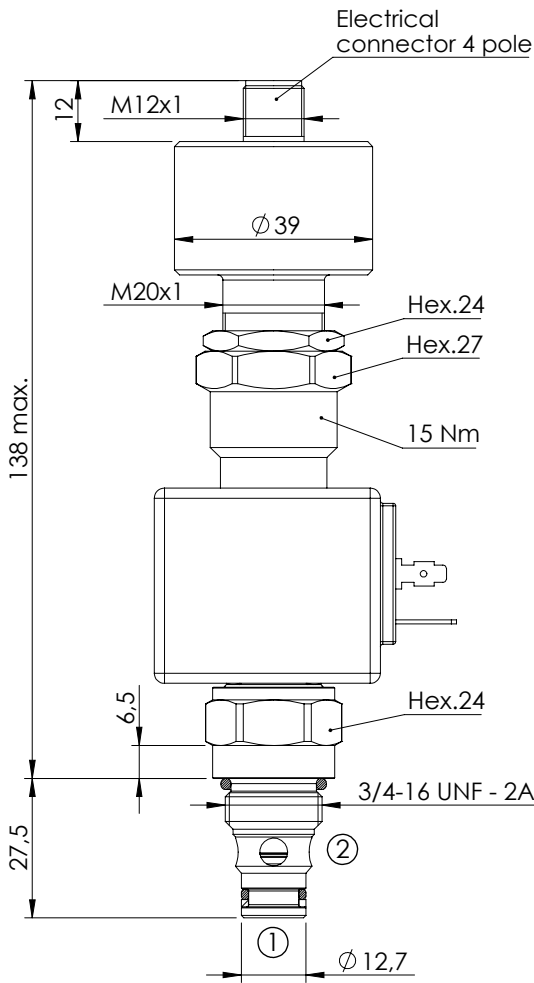
**ORDERING CODES**

Quick code	Description	Options	Max operating pressure (bar)
CE000417	CEBN-300-NAFN-32-S16-N350	Standard	350
CE000418	CEBN-300-NAFP-32-S16-N350	Push style override	350
CE000419	CEBN-300-NAFK-32-S16-N350	Knob style override	350
CE000717	CEBN-300-NAFN-32-S16-N500	Standard	500
CE000718	CEBN-300-NAFP-32-S16-N500	Push style override	500
CE000719	CEBN-300-NAFK-32-S16-N500	Knob style override	500

**SOLENOID OPERATED CARTRIDGE**

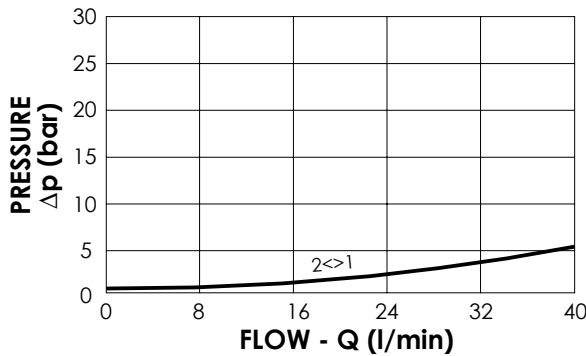
**CEBN-040-NCDR**

**POPPET TYPE  
PROXIMITY SENSOR**



**SPECIFICATIONS**

Max. operating pressure:	350 bar
Rated flow:	40 l/min
Cavity:	SAE-08-2N
Weight:	0,5 kg
Coil type:	M7 type
Operating temperature:	-25/+80°C



**NOTES**

Installation torque:	45 - 50 Nm
Seal kit:	RA100081

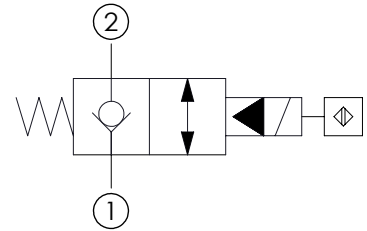
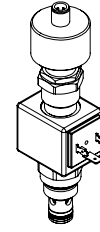
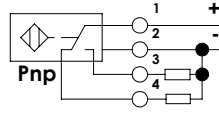
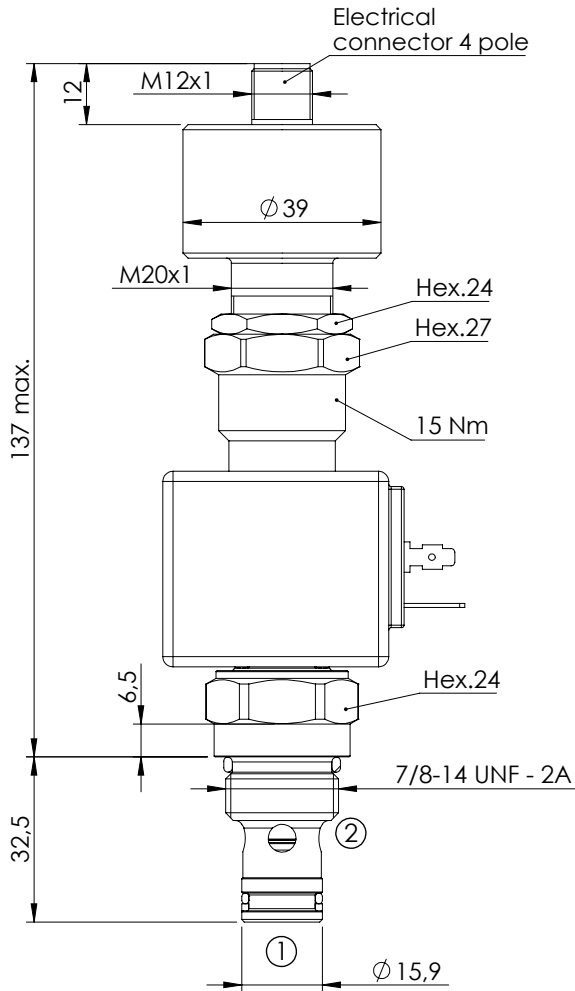
**ORDERING CODES**

Quick code	Description	Connector	Voltage	Options
CE000472	CEBN-040-NCDR-100-S08-V350-12HR	DIN 43650	12V DC	Proximity sensor
CE000940	CEBN-040-NCDR-100-S08-V350-24HR	DIN 43650	24V DC	Proximity sensor

**SOLENOID OPERATED CARTRIDGE**

**CEBN-070-NCDR**

**POPPET TYPE  
PROXIMITY SENSOR**

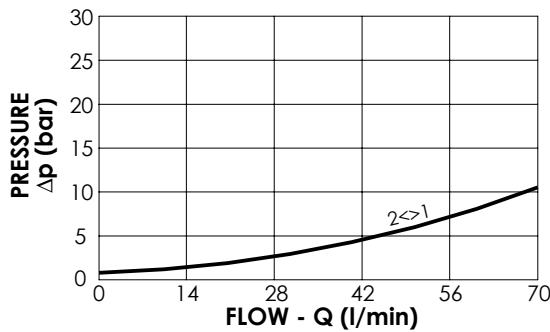


**SPECIFICATIONS**

Max. operating pressure:	350 bar
Rated flow:	70 l/min
Cavity:	SAE-10-2N
Weight:	0,5 kg
Coil type:	M7 type
Operating temperature:	-25/+80°C

**NOTES**

Installation torque:	55 - 62 Nm
Seal kit:	RA100082



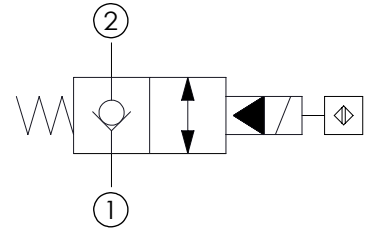
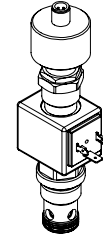
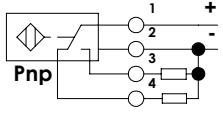
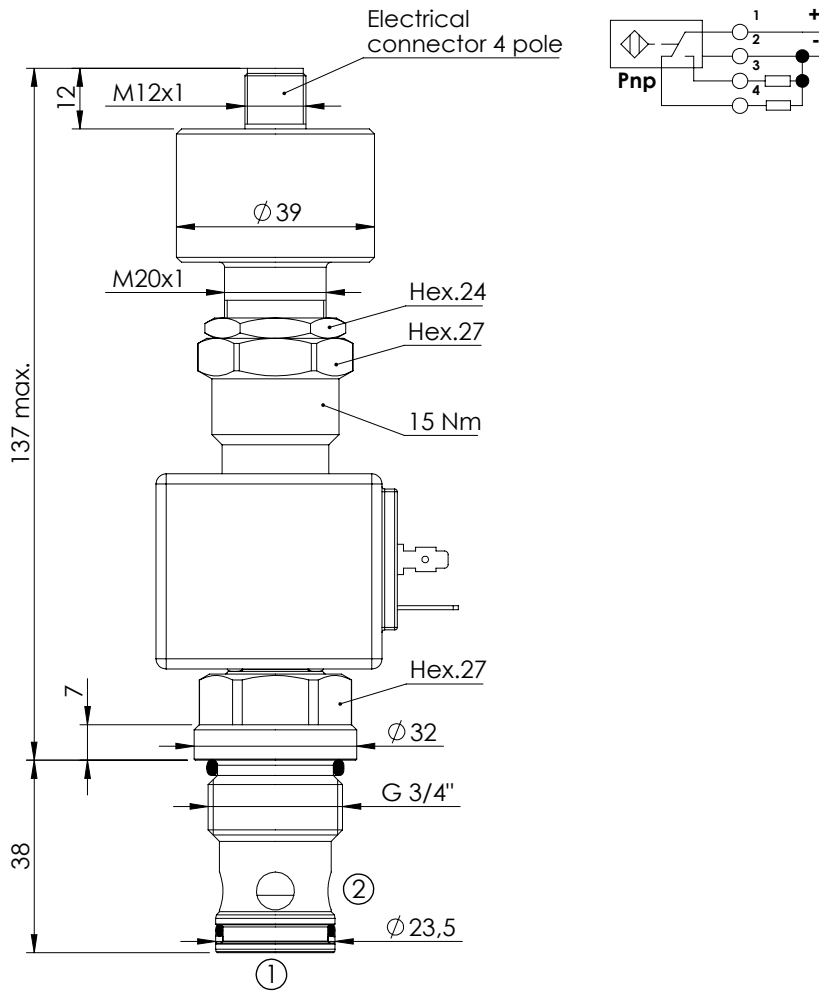
**ORDERING CODES**

Quick code	Description	Connector	Voltage	Options
CE000473	CEBN-070-NCDR-100-S10-V350-12HR	DIN 43650	12V DC	Proximity sensor
CE000938	CEBN-070-NCDR-100-S10-V350-24HR	DIN 43650	24V DC	Proximity sensor

**SOLENOID OPERATED CARTRIDGE**

**CEBN-100-NCDR**

**POPPET TYPE  
PROXIMITY SENSOR**

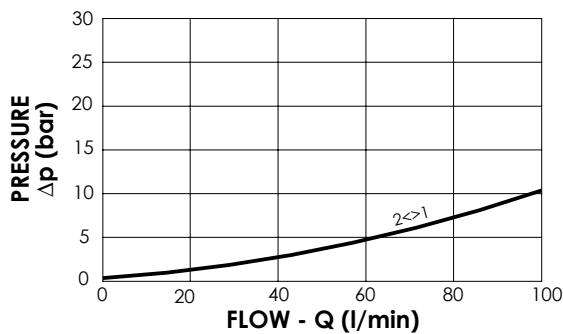


**SPECIFICATIONS**

Max. operating pressure:	350 bar
Rated flow:	100 l/min
Cavity:	VP000057
Weight:	0,6 kg
Coil type:	M7 type
Operating temperature:	-25/+80°C

**NOTES**

Installation torque:	110 - 130 Nm
Seal kit:	RC100057



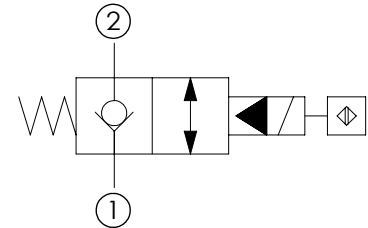
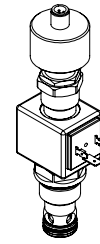
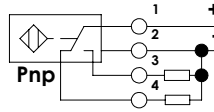
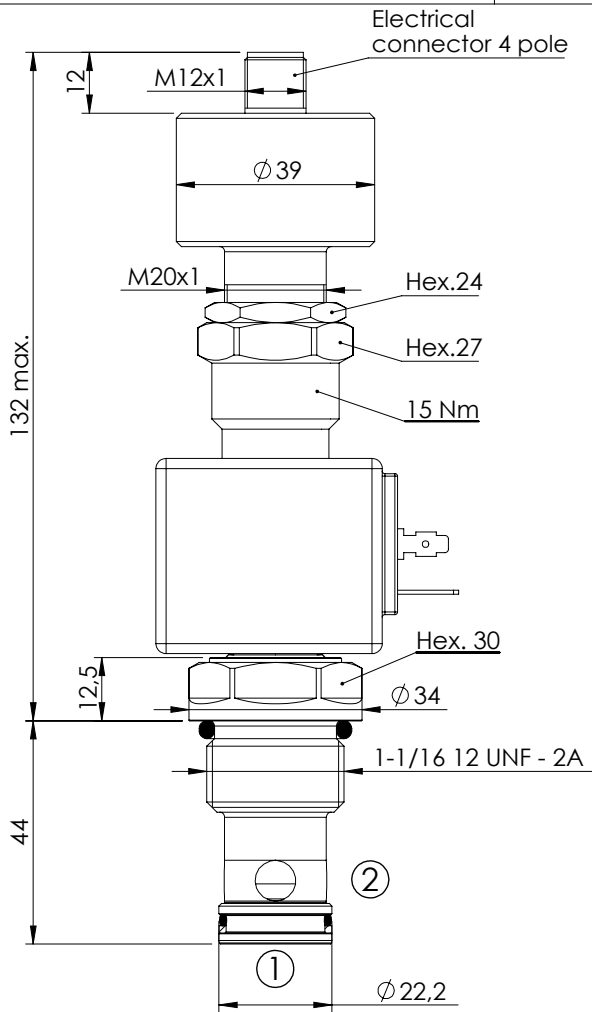
**ORDERING CODES**

Quick code	Description	Connector	Voltage	Options
CE001088	CEBN-100-NCDR-100-057-V350-12HR	DIN 43650	12V DC	Proximity sensor
CE001089	CEBN-100-NCDR-100-057-V350-24HR	DIN 43650	24V DC	Proximity sensor

**SOLENOID OPERATED CARTRIDGE**

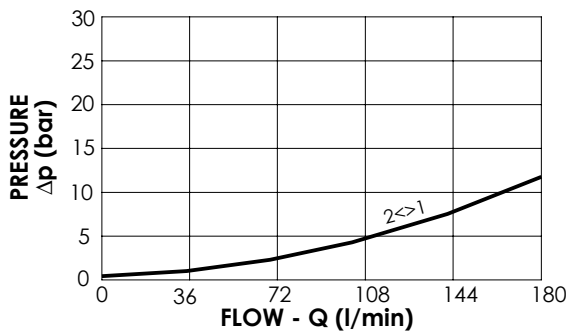
**CEBN-180-NCFN**

**POPPET TYPE  
PROXIMITY SENSOR**



**SPECIFICATIONS**

Max. operating pressure:	350 bar
Rated flow:	180 l/min
Cavity:	SAE-12-2N
Weight:	0,6 kg
Coil type:	M7 type
Operating temperature:	-25/+80°C



**NOTES** 135 - 150 Nm

Installation torque:	
Seal kit:	RA100083

**ORDERING CODES**

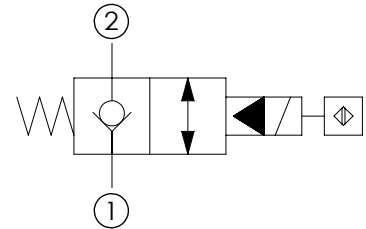
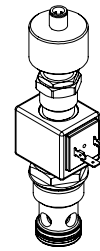
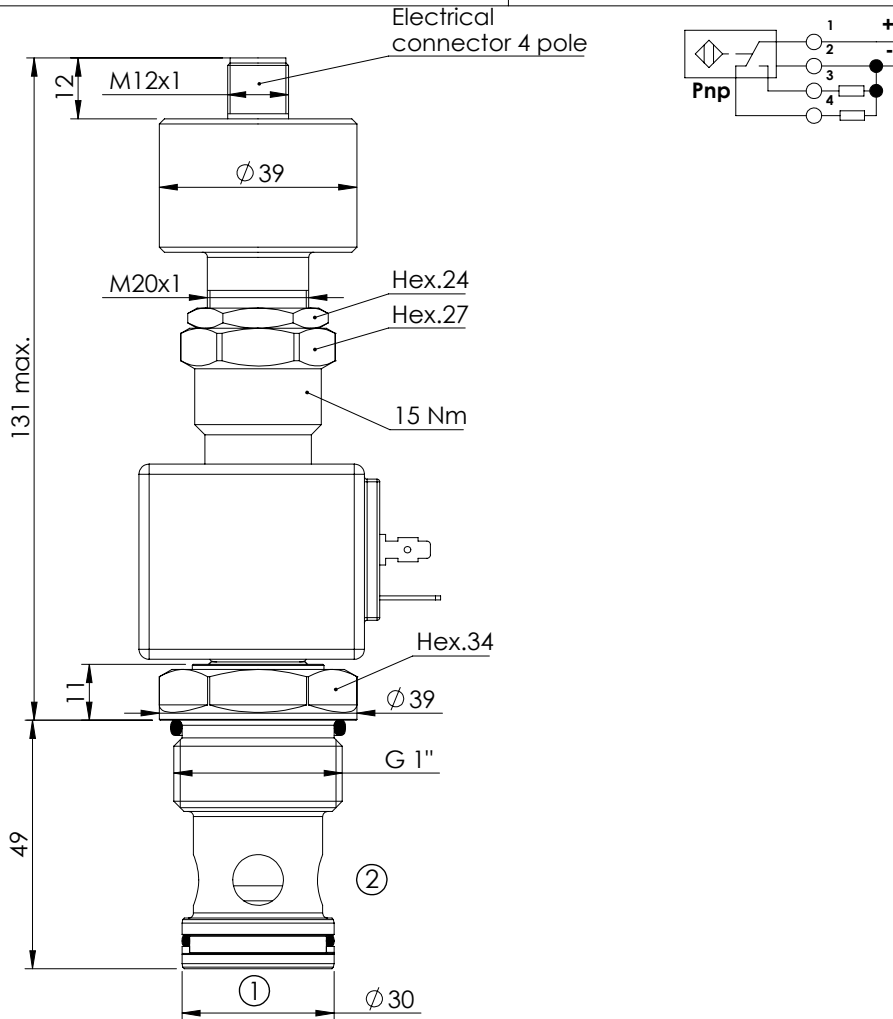
Quick code	Description	Connector	Voltage	Options
CE001090	CEBN-180-NCFN-100-S12-V350-12HR	DIN 43650	12V DC	Proximity sensor
CE001091	CEBN-180-NCFK-100-S12-V350-24HR	DIN 43650	24V DC	Proximity sensor

**SOLENOID OPERATED CARTRIDGE**



**CEBN-200-NCFN**

**POPPET TYPE  
PROXIMITY SENSOR**

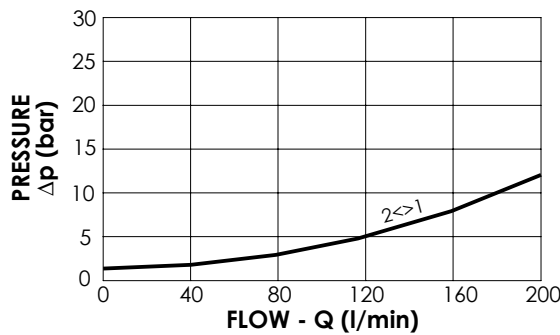


**SPECIFICATIONS**

Max. operating pressure:	350 bar
Rated flow:	200 l/min
Cavity:	VP000013
Weight:	0,71 kg
Coil type:	M7 type
Operating temperature:	-25/+80°C

**NOTES**

Installation torque:	
Seal kit:	RC100013



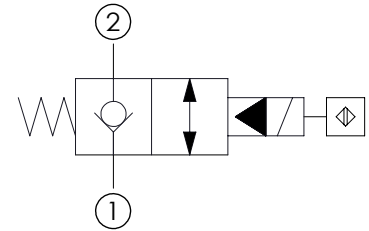
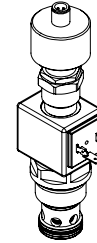
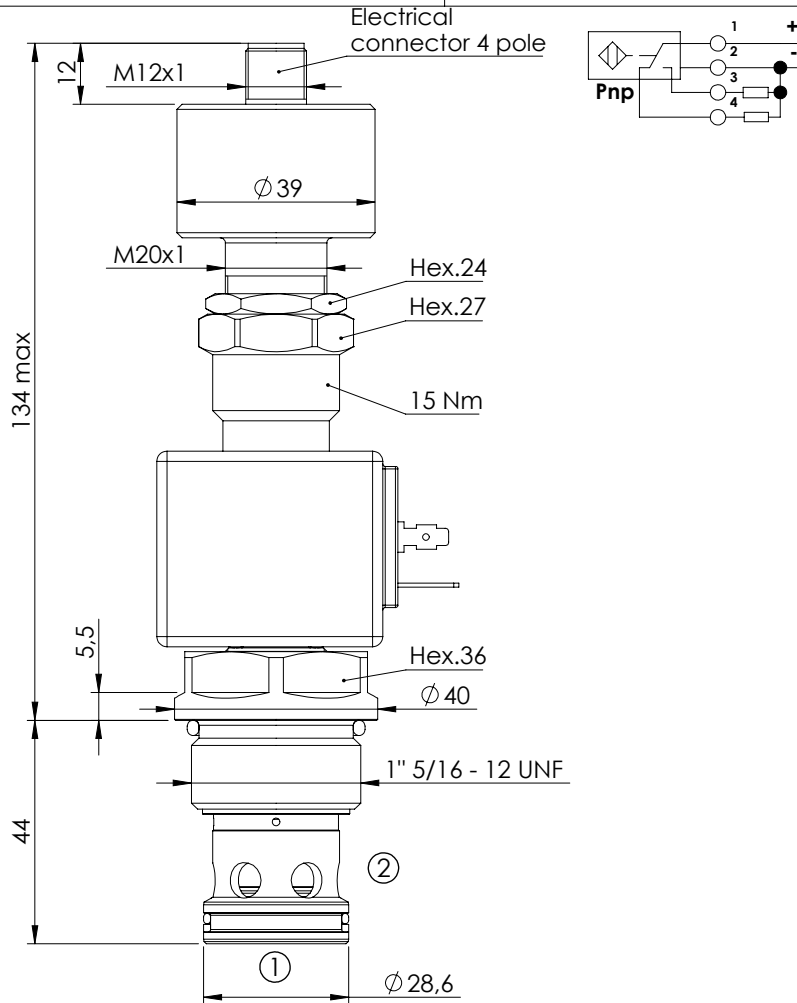
**ORDERING CODES**

Quick code	Description	Connector	Voltage	Options
CE001092	CEBN-200-NCFN-100-013-V350-12HR	DIN 43650	12V DC	Proximity sensor
CE001093	CEBN-200-NCFK-100-013-V350-24HR	DIN 43650	24V DC	Proximity sensor

**SOLENOID OPERATED CARTRIDGE**

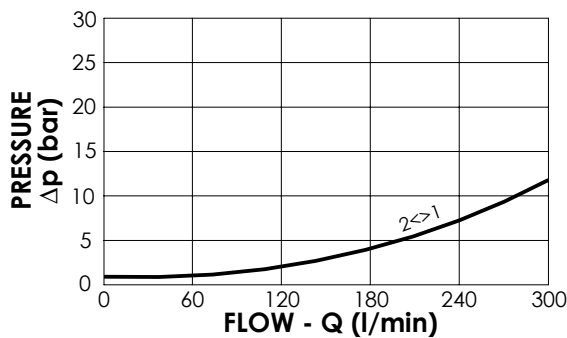
**CEBN-300-NCDR**

**POPPET TYPE  
PROXIMITY SENSOR**



**SPECIFICATIONS**

Max. operating pressure:	350 bar
Rated flow:	300 l/min
Cavity:	SAE-16-2N
Weight:	0,7 kg
Coil type:	M7 type
Operating temperature:	-25/+80 °C



**NOTES**

Installation torque:	118 - 132 Nm
Seal kit:	RA100084

**ORDERING CODES**

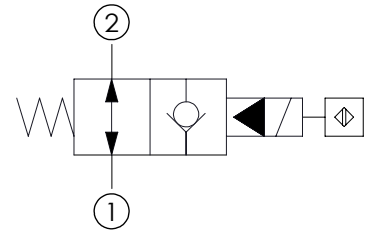
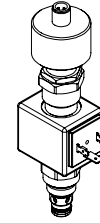
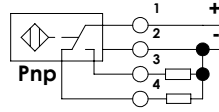
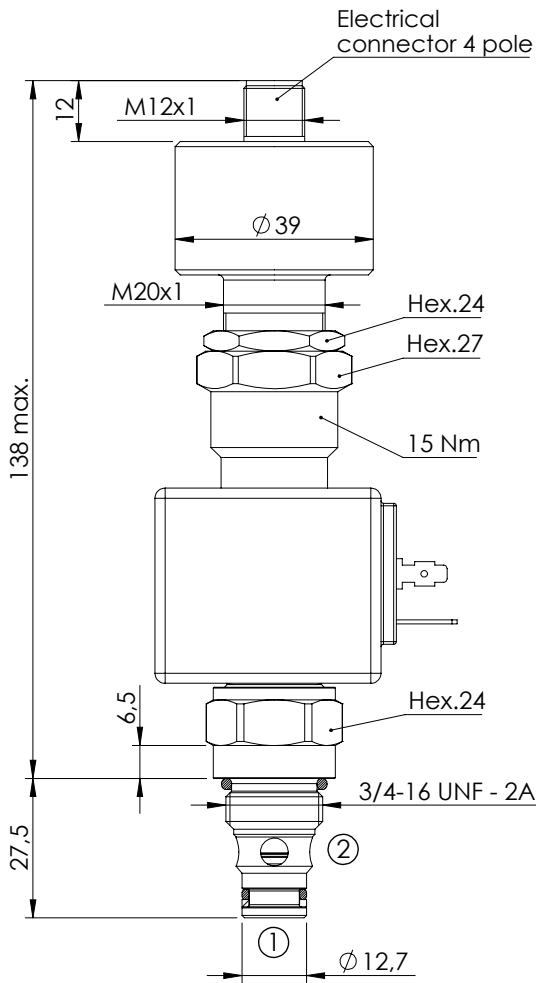
Quick code	Description	Connector	Voltage	Options
CE000475	CEBN-300-NCDR-100-S16-V350-12HR	DIN 43650	12V DC	Proximity sensor
CE000939	CEBN-300-NCDR-100-S16-V350-24HR	DIN 43650	24V DC	Proximity sensor



**SOLENOID OPERATED CARTRIDGE**

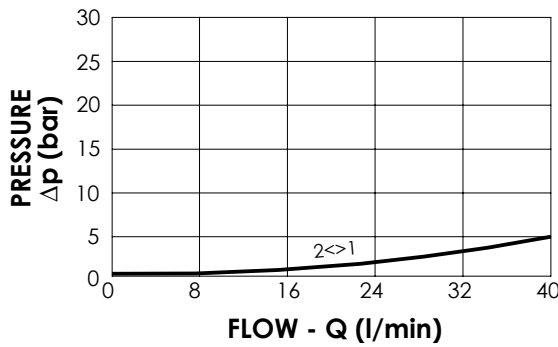
**CEBN-040-NADR**

**POPPET TYPE  
PROXIMITY SENSOR**



**SPECIFICATIONS**

Max. operating pressure:	350 bar
Rated flow:	40 l/min
Cavity:	SAE-08-2N
Weight:	0,5 kg
Coil type:	M7 type
Operating temperature:	-25/+80°C



**NOTES**

Installation torque:	45 - 50 Nm
Seal kit:	RA100081

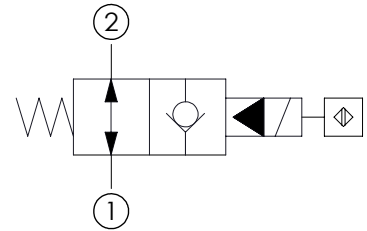
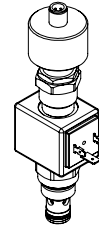
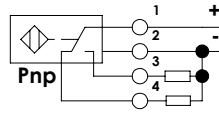
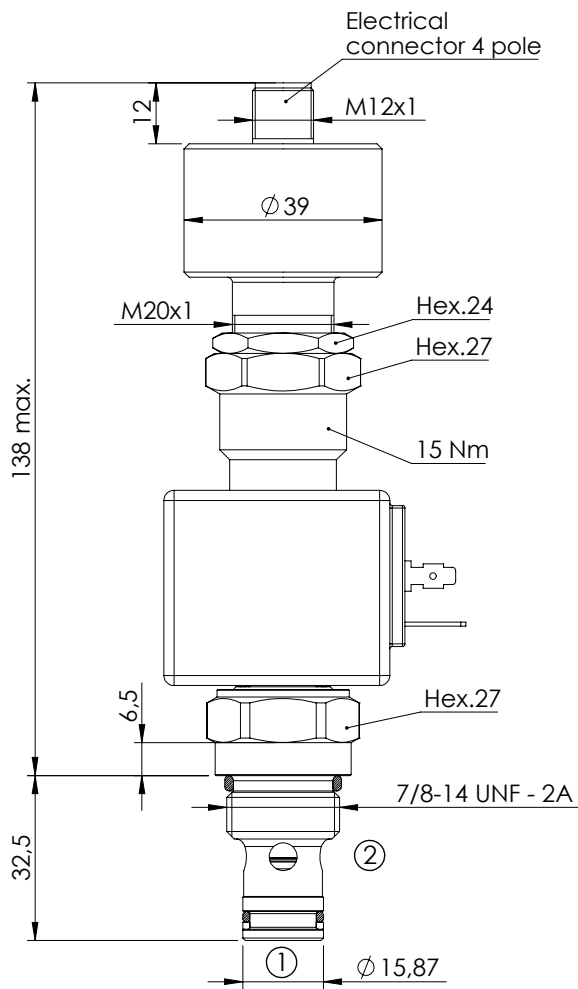
**ORDERING CODES**

Quick code	Description	Connector	Voltage	Options
CE001053	CEBN-040-NADR-101-S08-V350-12HR	DIN 43650	12V DC	Proximity sensor
CE000476	CEBN-040-NADR-101-S08-V350-24HR	DIN 43650	24V DC	Proximity sensor

**SOLENOID OPERATED CARTRIDGE**

**CEBN-070-NADR**

**POPPET TYPE  
PROXIMITY SENSOR**

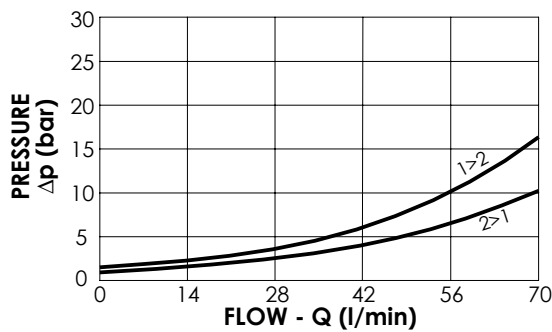


**SPECIFICATIONS**

Max. operating pressure:	350 bar
Rated flow:	70 l/min
Cavity:	SAE-10-2N
Weight:	0,5 kg
Coil type:	M7 type
Operating temperature:	-25/+80°C

**NOTES**

Installation torque:	55 - 62 Nm
Seal kit:	RA100082



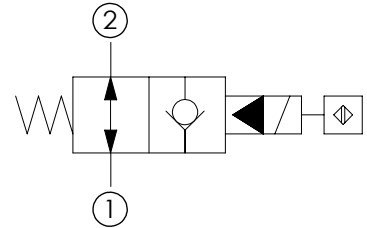
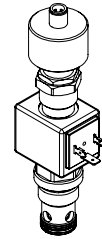
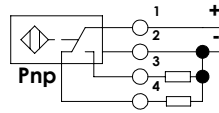
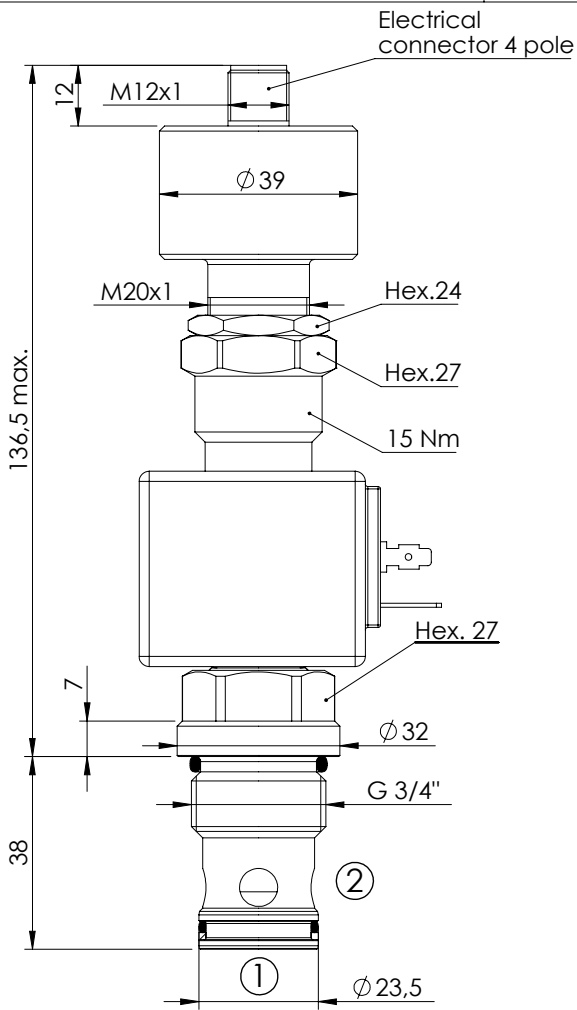
**ORDERING CODES**

Quick code	Description	Connector	Voltage	Options
CE001043	CEBN-070-NADR-101-S10-V350-12HR	DIN 43650	12V DC	Proximity sensor
CE001065	CEBN-070-NADR-101-S10-V350-24HR	DIN 43650	24V DC	Proximity sensor

**SOLENOID OPERATED CARTRIDGE**

**CEBN-100-NAFN**

**POPPET TYPE  
PROXIMITY SENSOR**

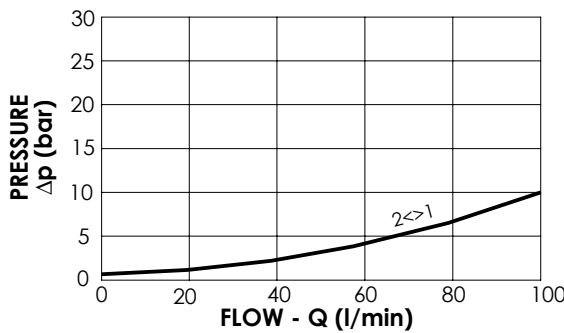


**SPECIFICATIONS**

Max. operating pressure:	350 bar
Rated flow:	100 l/min
Cavity:	VP000057
Weight:	0,6 kg
Coil type:	M7 type
Operating temperature:	-25/+80°C

**NOTES**

Installation torque:	110 - 130 Nm
Seal kit:	RC100057



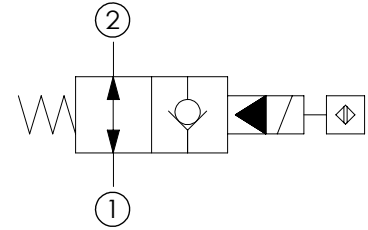
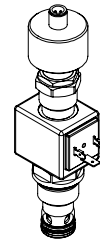
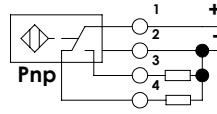
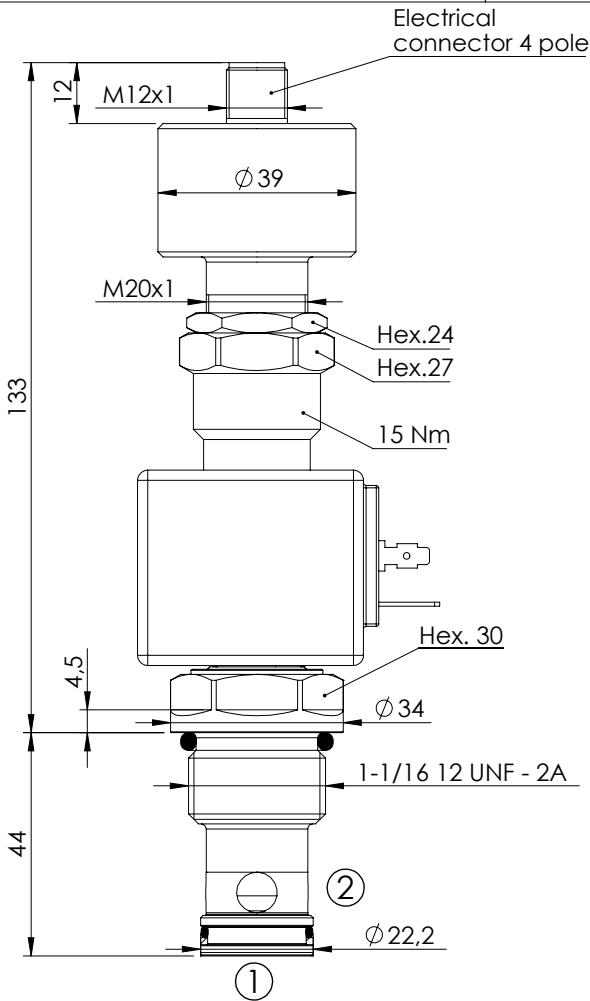
**ORDERING CODES**

Quick code	Description	Connector	Voltage	Options
CE001094	CEBN-100-NAFN-101-057-V350-12HR	DIN 43650	12V DC	Proximity sensor
CE001095	CEBN-100-NAFN-101-057-V350-24HR	DIN 43650	24V DC	Proximity sensor

**SOLENOID OPERATED CARTRIDGE**

**CEBN-180-NAFN**

**POPPET TYPE  
PROXIMITY SENSOR**

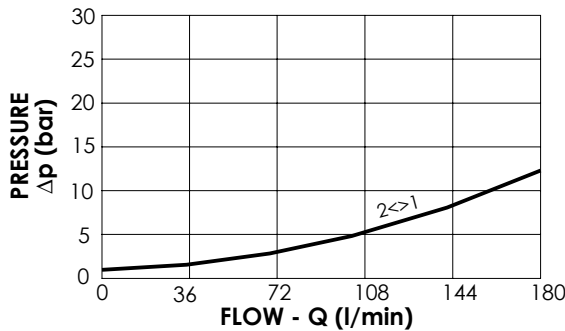


**SPECIFICATIONS**

Max. operating pressure:	350 bar
Rated flow:	180 l/min
Cavity:	SAE-12-2N
Weight:	0,6 kg
Coil type:	M7 type
Operating temperature:	-25/+80°C

**NOTES**

Installation torque:	135 - 150 Nm
Seal kit:	RA100083



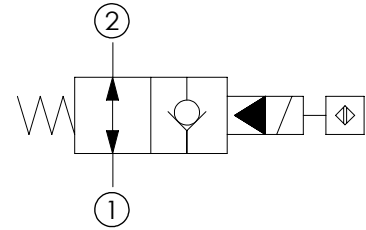
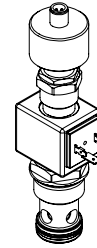
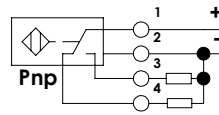
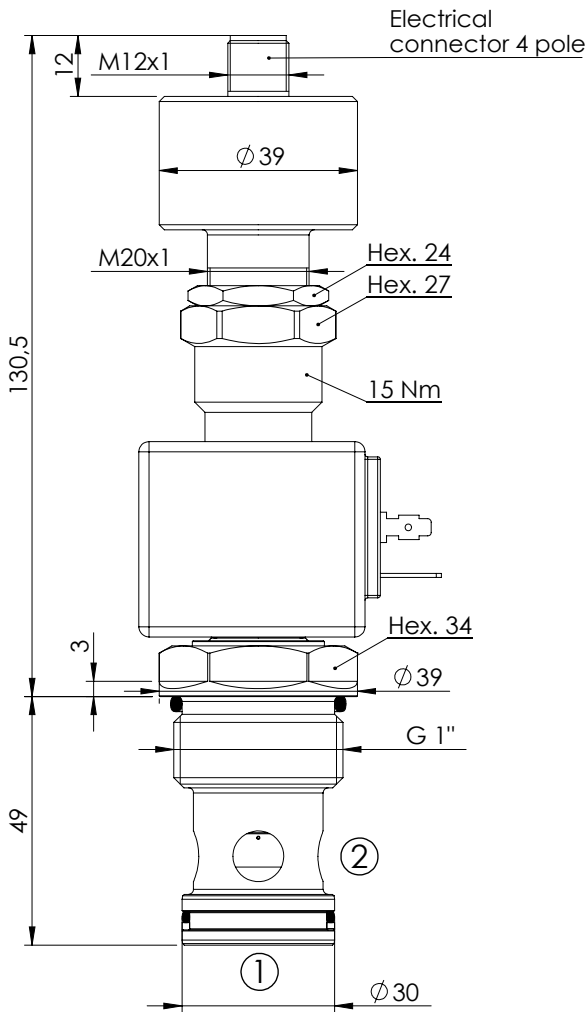
**ORDERING CODES**

Quick code	Description	Connector	Voltage	Options
CE001096	CEBN-180-NAFN-101-S12-V350-12HR	DIN 43650	12V DC	Proximity sensor
CE001097	CEBN-180-NAFN-101-S12-V350-24HR	DIN 43650	24V DC	Proximity sensor

**SOLENOID OPERATED CARTRIDGE**

**CEBN-200-NAFN**

**POPPET TYPE  
PROXIMITY SENSOR**

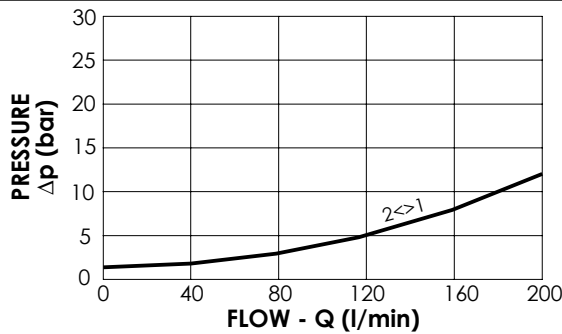


**SPECIFICATIONS**

Max. operating pressure:	350 bar
Rated flow:	200 l/min
Cavity:	VP000013
Weight:	0,71 kg
Coil type:	M7 type
Operating temperature:	-25/+80°C

**NOTES**

Installation torque:	135 - 150 Nm
Seal kit:	RC100013



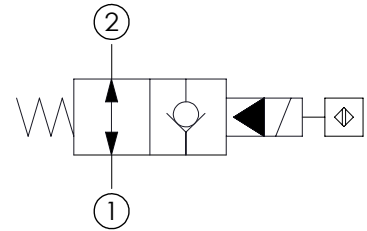
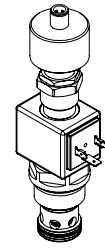
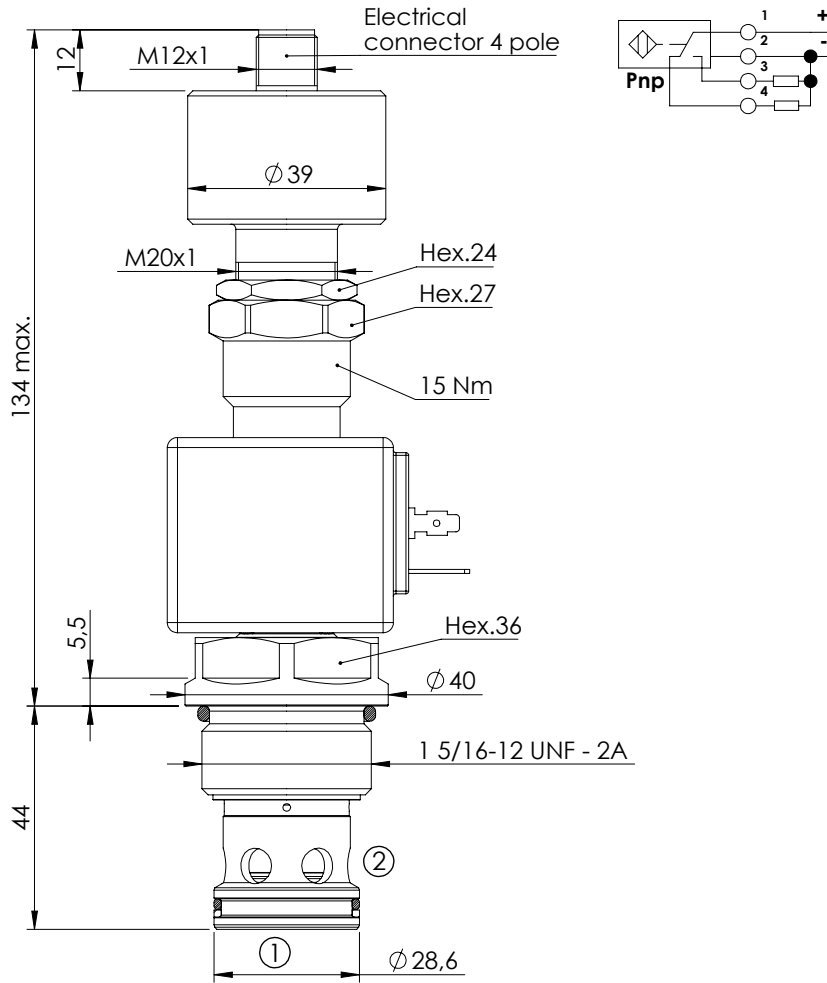
**ORDERING CODES**

Quick code	Description	Connector	Voltage	Options
CE001098	CEBN-200-NAFN-101-013-V350-12HR	DIN 43650	12V DC	Proximity sensor
CE001099	CEBN-200-NAFN-101-013-V350-24HR	DIN 43650	24V DC	Proximity sensor

**SOLENOID OPERATED CARTRIDGE**

**CEBN-300-NADR**

**POPPET TYPE  
PROXIMITY SENSOR**

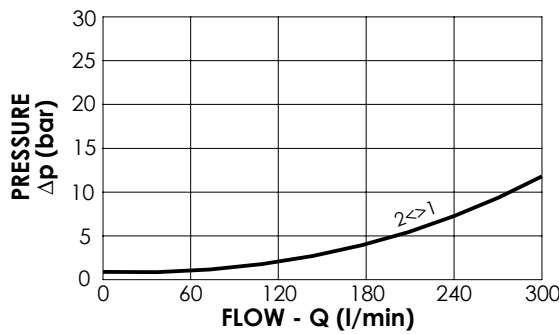


**SPECIFICATIONS**

Max. operating pressure:	350 bar
Rated flow:	300 l/min
Cavity:	SAE-16-2N
Weight:	0,7 kg
Coil type:	M7 type
Operating temperature:	-25/+80°C

**NOTES**

Installation torque:	118 - 132 Nm
Seal kit:	RA100084



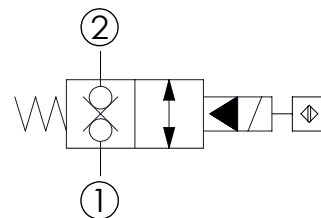
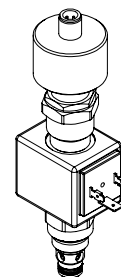
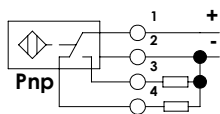
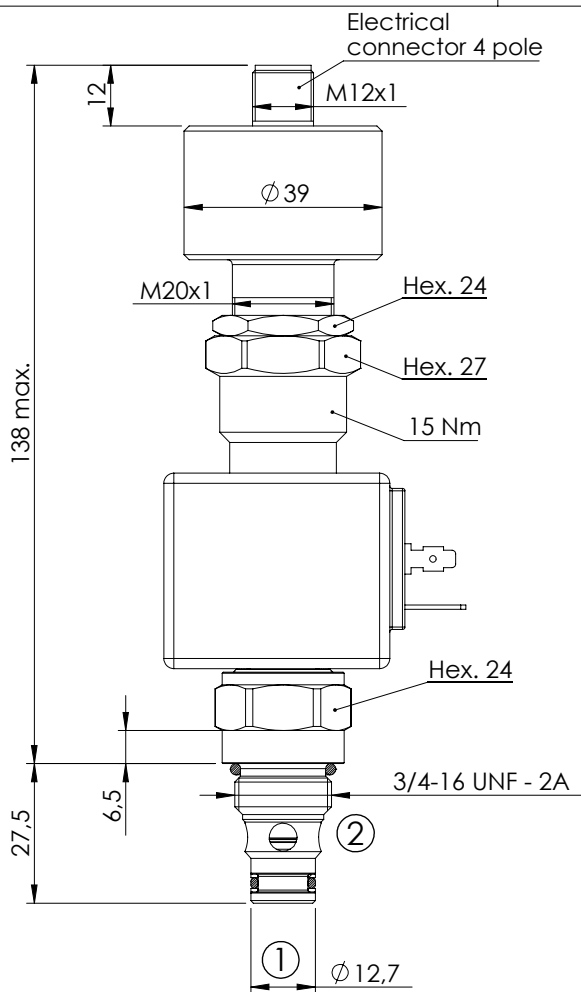
**ORDERING CODES**

Quick code	Description	Connector	Voltage	Options
CE001044	CEBN-300-NADR-101-S16-V350-12HR	DIN 43650	12V DC	Proximity sensor
CE001066	CEBN-300-NADR-101-S16-V350-24HR	DIN 43650	24V DC	Proximity sensor

**SOLENOID OPERATED CARTRIDGE**

**CEBN-040-NCDR**

**POPPET TYPE  
PROXIMITY SENSOR**

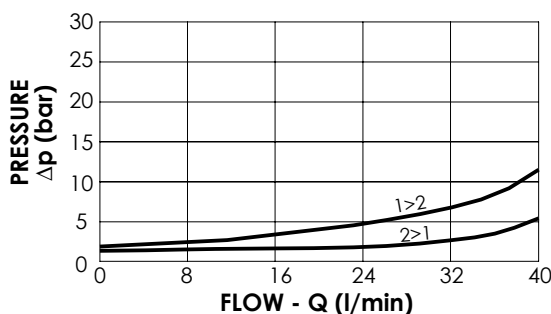


**SPECIFICATIONS**

Max. operating pressure:	350 bar
Rated flow:	40 l/min
Cavity:	SAE-08-2N
Weight:	0,5 kg
Coil type:	M7 type
Operating temperature:	-25/+80°C

**NOTES**

Installation torque:	45 - 50 Nm
Seal kit:	RB100081



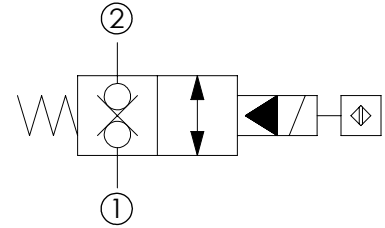
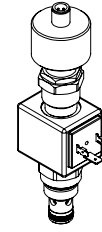
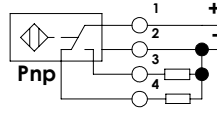
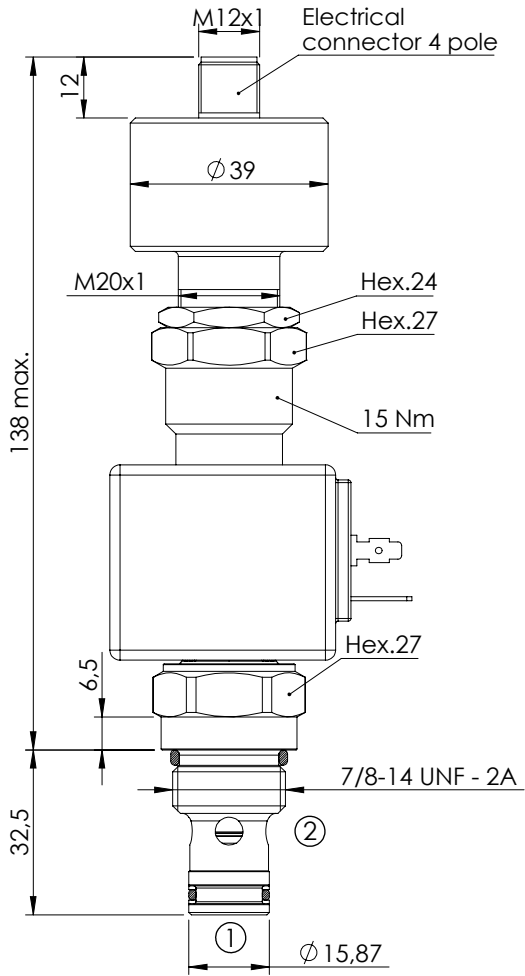
**ORDERING CODES**

Quick code	Description	Connector	Voltage	Options
CE001035	CEBN-040-NCDR-120-S08-V350-12HR	DIN 43650	12V DC	Proximity sensor
CE001064	CEBN-040-NCDR-120-S08-V350-24HR	DIN 43650	24V DC	Proximity sensor

**SOLENOID OPERATED CARTRIDGE**

**CEBN-070-NCDR**

**POPPET TYPE  
PROXIMITY SENSOR**

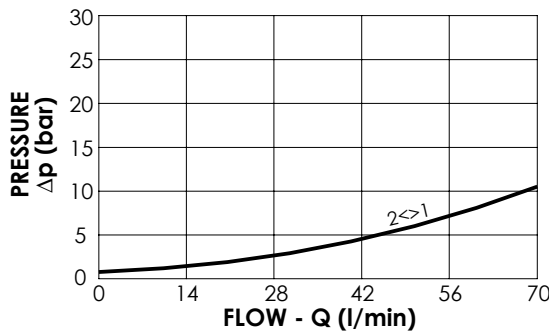


**SPECIFICATIONS**

Max. operating pressure:	350 bar
Rated flow:	70 l/min
Cavity:	SAE-10-2N
Weight:	0,53 kg
Coil type:	M7 type
Operating temperature:	-25/+80°C

**NOTES**

Installation torque:	55 - 62 Nm
Seal kit:	RB100082



**ORDERING CODES**

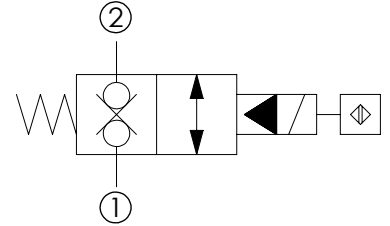
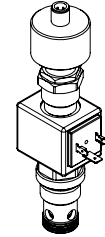
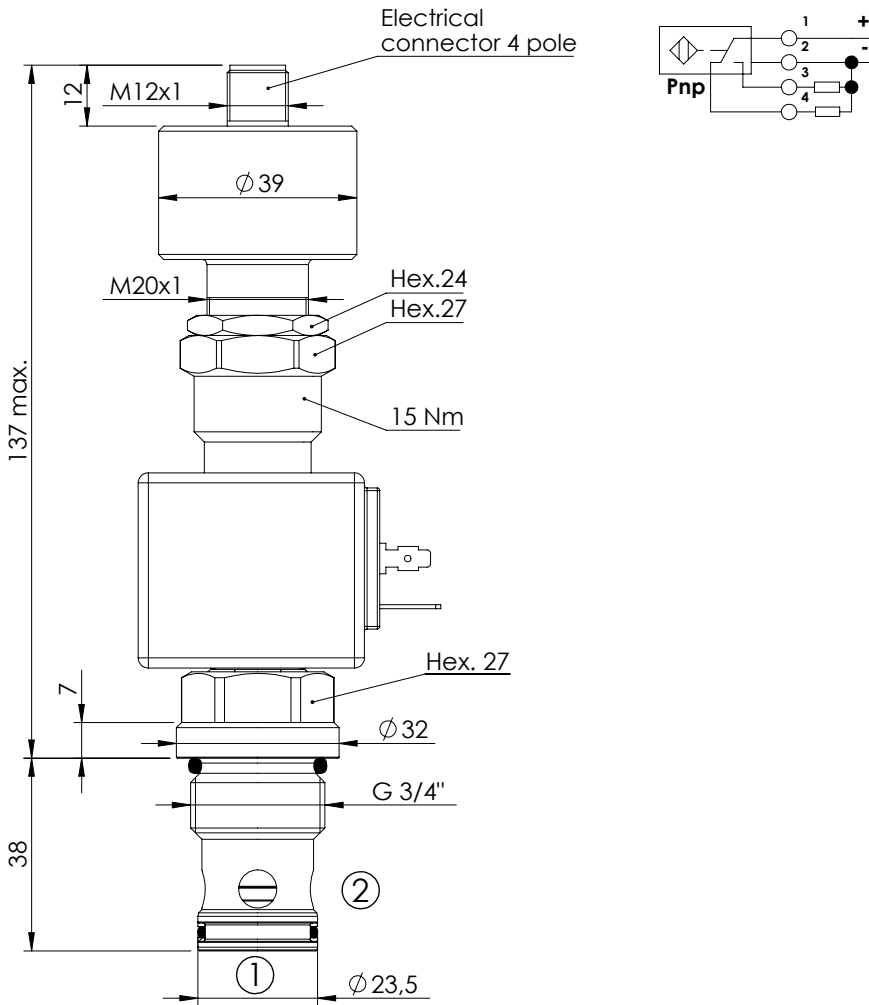
Quick code	Description	Connector	Voltage	Options
CE001045	CEBN-070-NCDR-120-S10-V350-12HR	DIN 43650	12V DC	Proximity sensor
CE001067	CEBN-070-NCDR-120-S10-V350-24HR	DIN 43650	24V DC	Proximity sensor



**SOLENOID OPERATED CARTRIDGE**

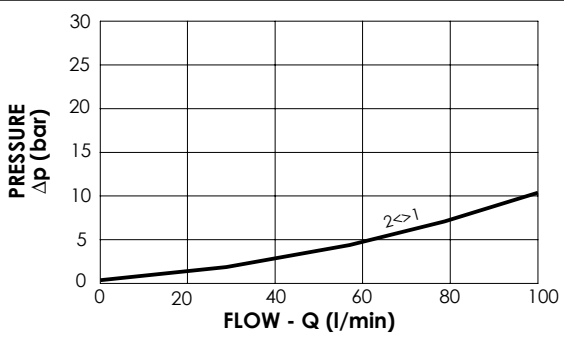
**CEBN-100-NCFN**

**POPPET TYPE  
PROXIMITY SENSOR**



**SPECIFICATIONS**

Max. operating pressure:	350 bar
Rated flow:	100 l/min
Cavity:	VP000057
Weight:	0,6 kg
Coil type:	M7 type
Operating temperature:	-25/+80°C



**NOTES** 110 - 130 Nm

Installation torque:	
Seal kit:	RD100057

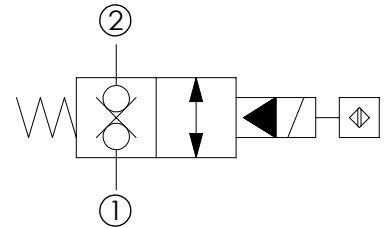
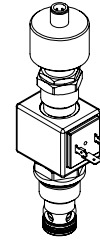
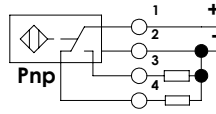
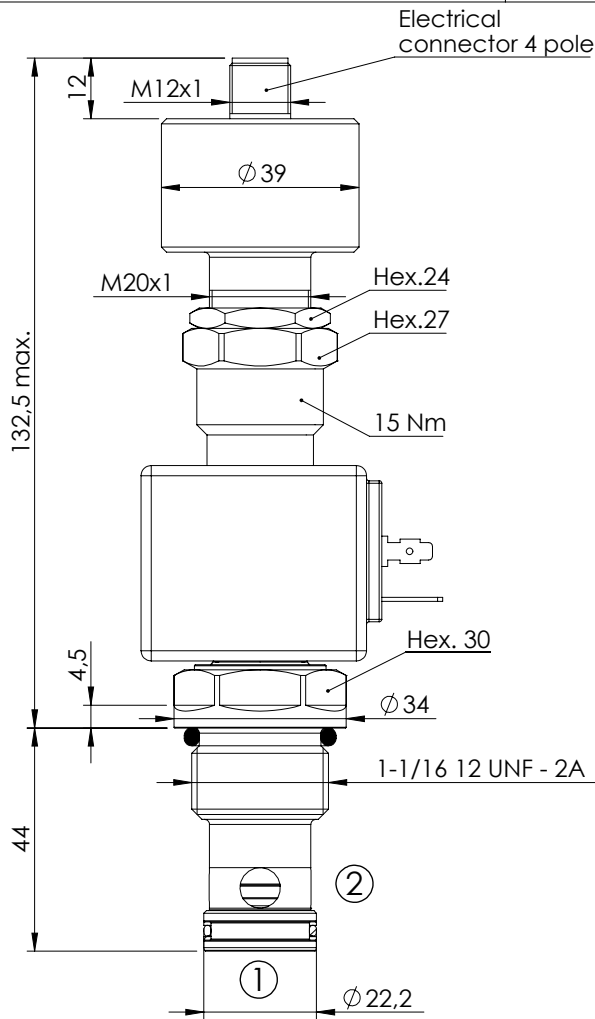
**ORDERING CODES**

Quick code	Description	Connector	Voltage	Options
CE001100	CEBN-100-NCFN-120-057-V350-12HR	DIN 43650	12V DC	Proximity sensor
CE001101	CEBN-100-NCFN-120-057-V350-24HR	DIN 43650	24V DC	Proximity sensor

**SOLENOID OPERATED CARTRIDGE**

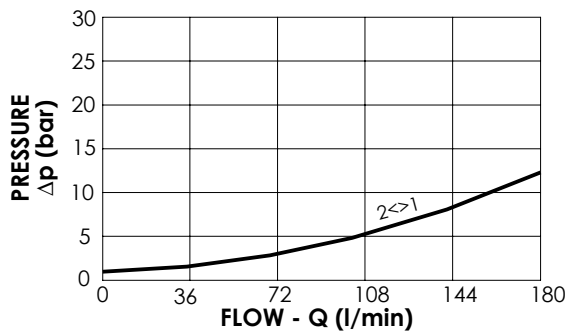
**CEBN-180-NCFN**

**POPPET TYPE  
PROXIMITY SENSOR**



**SPECIFICATIONS**

Max. operating pressure:	350 bar
Rated flow:	180 l/min
Cavity:	SAE-12-2N
Weight:	0,6 kg
Coil type:	M7 type
Operating temperature:	-25/+80°C



**NOTES** 135 - 150 Nm

Installation torque:	
Seal kit:	RB100083

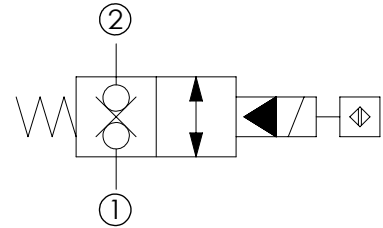
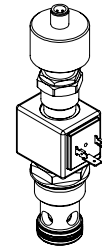
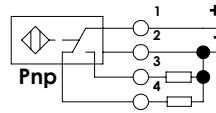
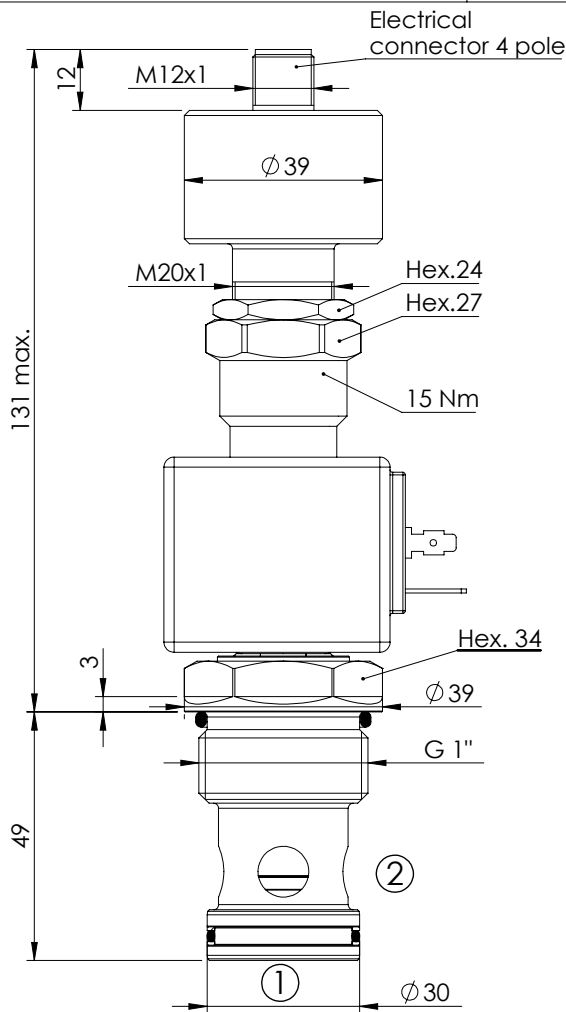
**ORDERING CODES**

Quick code	Description	Connector	Voltage	Options
CE001102	CEBN-180-NCFN-120-S12-V350-12HR	DIN 43650	12V DC	Proximity sensor
CE001103	CEBN-180-NCFN-120-S12-V350-24HR	DIN 43650	24V DC	Proximity sensor

**SOLENOID OPERATED CARTRIDGE**

**CEBN-200-NCFN**

**POPPET TYPE  
PROXIMITY SENSOR**

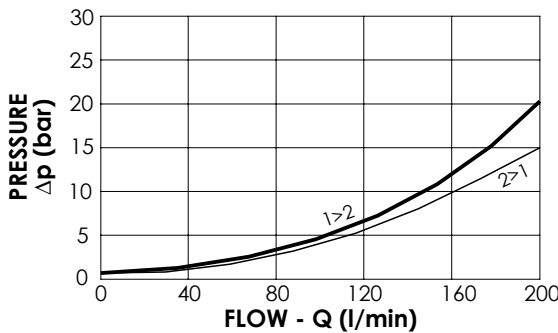


**SPECIFICATIONS**

Max. operating pressure:	350 bar
Rated flow:	200 l/min
Cavity:	VP000013
Weight:	0,7 kg
Coil type:	M7 type
Operating temperature:	-25/+80°C

**NOTES**

Installation torque:	135 - 150 Nm
Seal kit:	RD100013



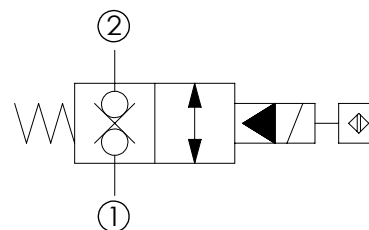
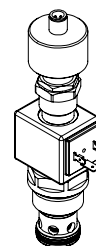
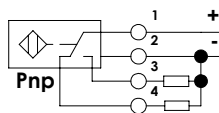
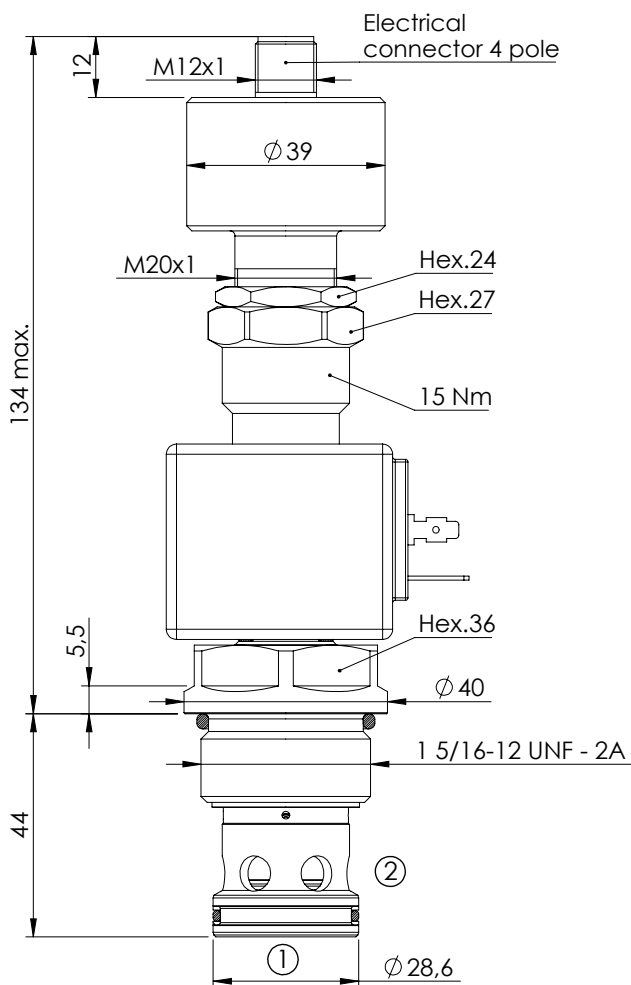
**ORDERING CODES**

Quick code	Description	Connector	Voltage	Options
CE001104	CEBN-200-NCFN-120-013-V350-12HR	DIN 43650	12V DC	Proximity sensor
CE001105	CEBN-200-NCFN-120-013-V350-24HR	DIN 43650	24V DC	Proximity sensor

**SOLENOID OPERATED CARTRIDGE**

**CEBN-300-NCDR**

**POPPET TYPE  
PROXIMITY SENSOR**

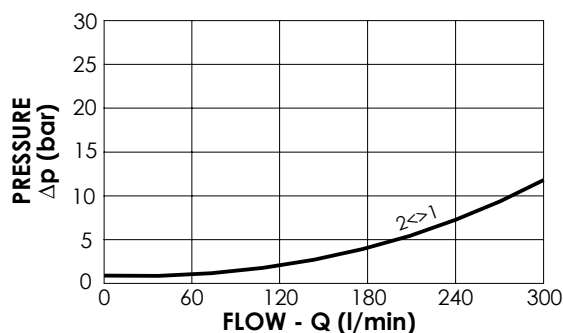


**SPECIFICATIONS**

Max. operating pressure:	350 bar
Rated flow:	300 l/min
Cavity:	SAE-16-2N
Weight:	0,7 kg
Coil type:	M7 type
Operating temperature:	-25/+80°C

**NOTES**

Installation torque:	118 - 132 Nm
Seal kit:	RB100084



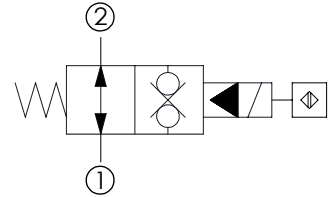
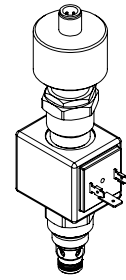
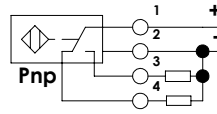
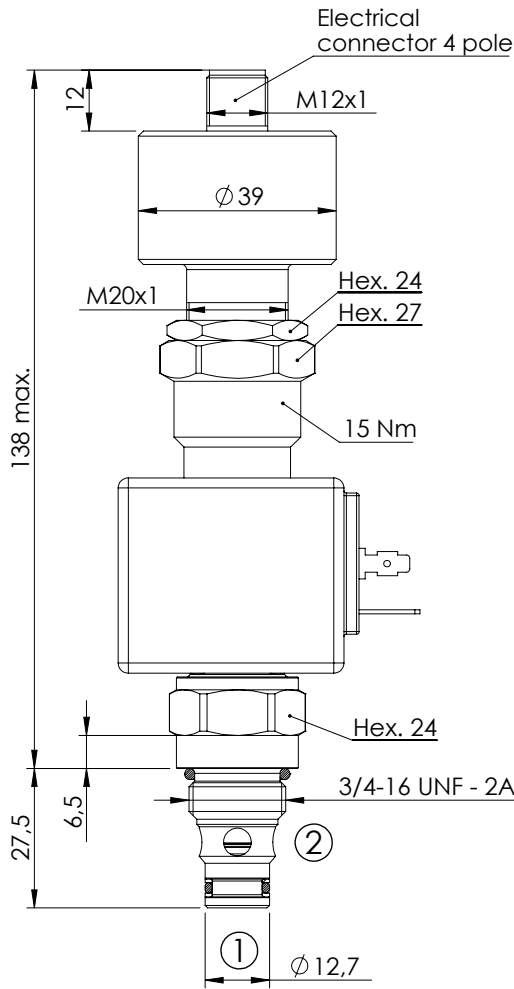
**ORDERING CODES**

Quick code	Description	Connector	Voltage	Options
CE001046	CEBN-300-NCDR-120-S16-V350-12HR	DIN 43650	12V DC	Proximity sensor
CE001068	CEBN-300-NCDR-120-S16-V350-24HR	DIN 43650	24V DC	Proximity sensor

**SOLENOID OPERATED CARTRIDGE**

**CEBN-040-NADR**

**POPPET TYPE  
PROXIMITY SENSOR**

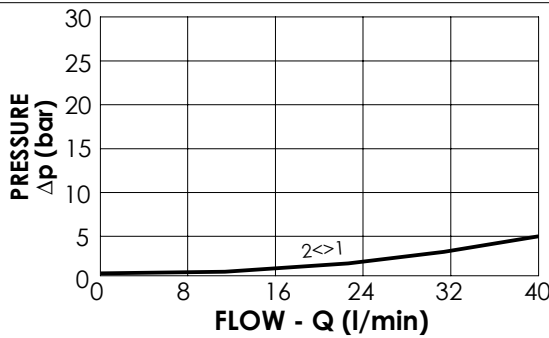


**SPECIFICATIONS**

Max. operating pressure:	350 bar
Rated flow:	40 l/min
Cavity:	SAE-08-2N
Weight:	0,5 kg
Coil type:	M7 type
Operating temperature:	-25/+80°C

**NOTES**

Installation torque:	45 - 50 Nm
Seal kit:	RB100081



**ORDERING CODES**

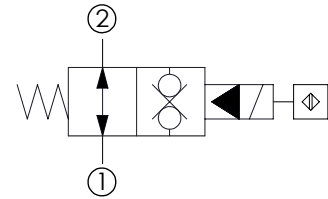
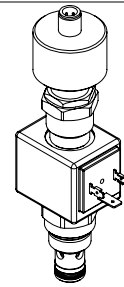
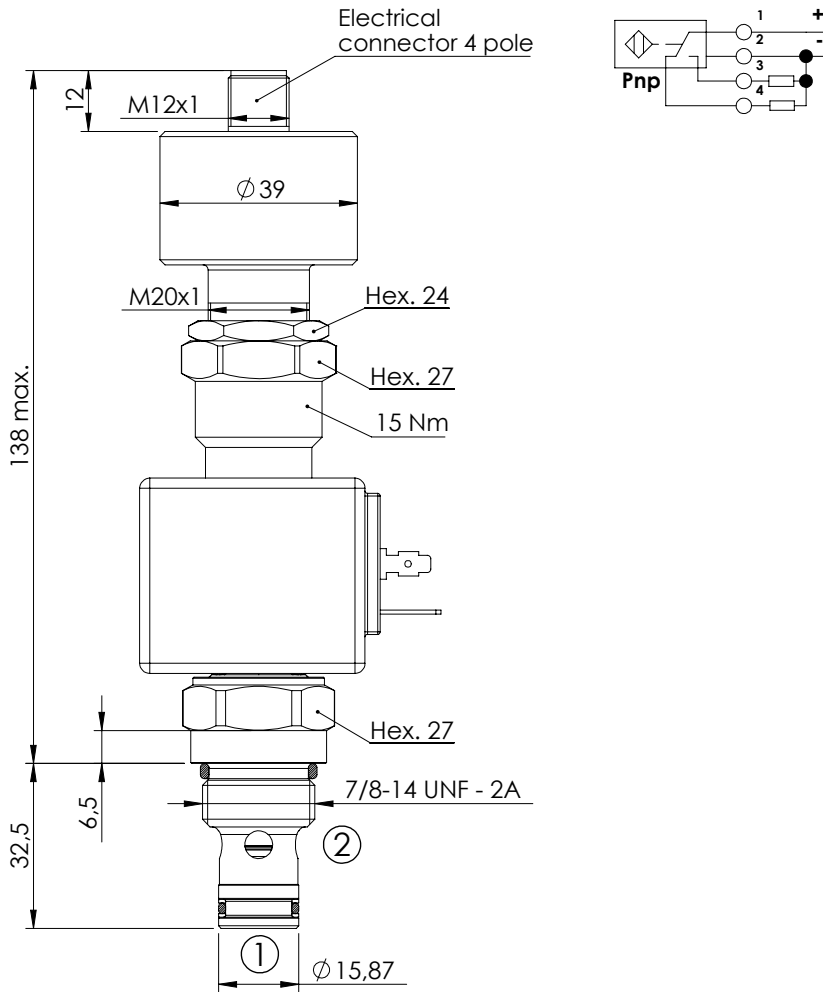
Quick code	Description	Connector	Voltage	Options
CE001047	CEBN-040-NADR-121-S08-V350-12HR	DIN 43650	12V DC	Proximity sensor
CE001069	CEBN-040-NADR-121-S08-V350-24HR	DIN 43650	24V DC	Proximity sensor

**SOLENOID OPERATED CARTRIDGE**



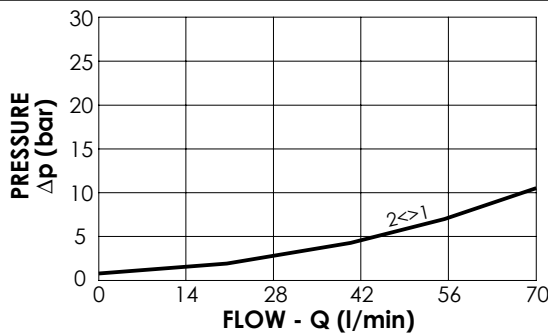
**CEBN-070-NADR**

**POPET TYPE PROXIMITY SENSOR**



**SPECIFICATIONS**

Max. operating pressure:	350 bar
Rated flow:	70 l/min
Cavity:	SAE-10-2N
Weight:	0,53 kg
Coil type:	M7 type
Operating temperature:	-25/+80°C



**NOTES**

Installation torque:	55 - 62 Nm
Seal kit:	RB100082

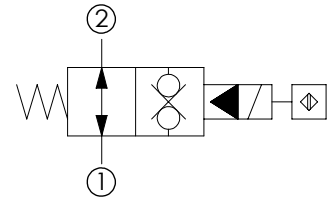
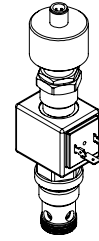
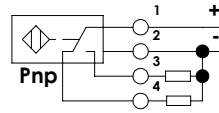
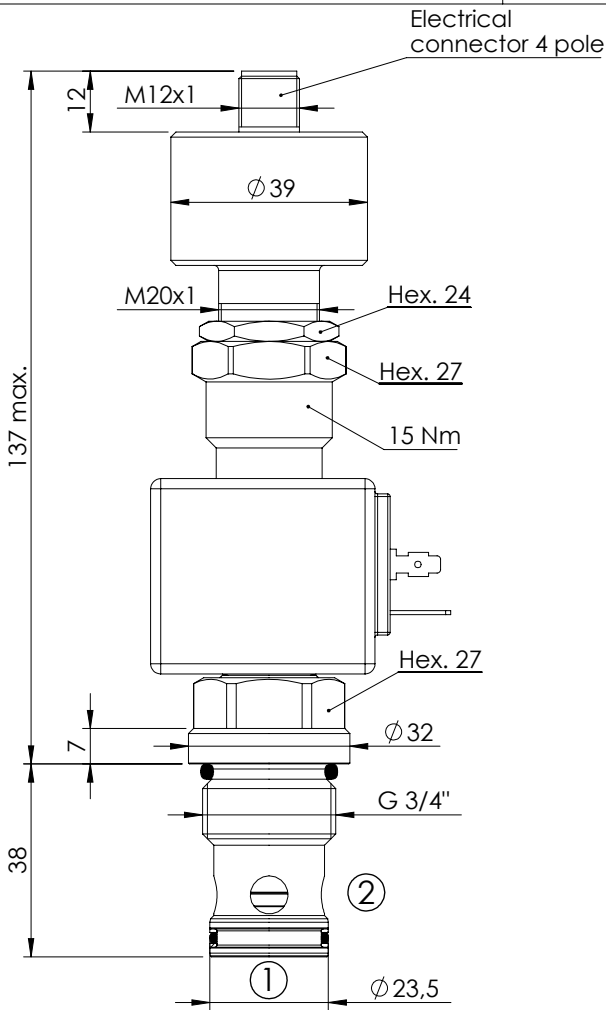
**ORDERING CODES**

Quick code	Description	Connector	Voltage	Options
CE001048	CEBN-070-NADR-121-S10-V350-12HR	DIN 43650	12V DC	Proximity sensor
CE001070	CEBN-070-NADR-121-S10-V350-24HR	DIN 43650	24V DC	Proximity sensor

**SOLENOID OPERATED CARTRIDGE**

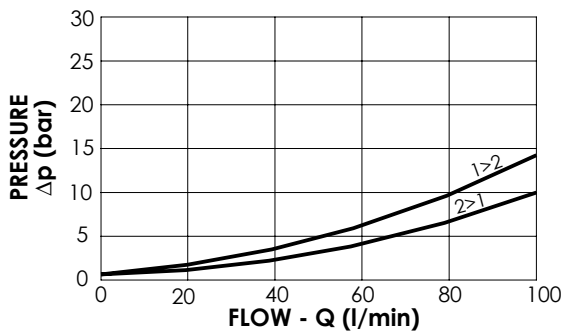
**CEBN-100-NAFN**

**POPPET TYPE  
PROXIMITY SENSOR**



**SPECIFICATIONS**

Max. operating pressure:	350 bar
Rated flow:	100 l/min
Cavity:	VP000057
Weight:	0,6 kg
Coil type:	M7 type
Operating temperature:	-25/+80°C



**NOTES**

Installation torque:	110 - 130 Nm
Seal kit:	RD100057

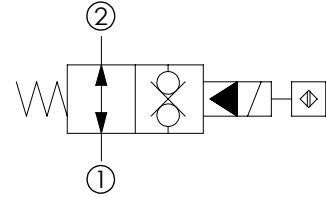
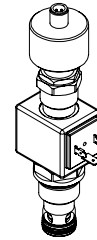
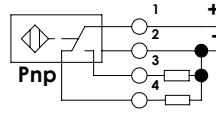
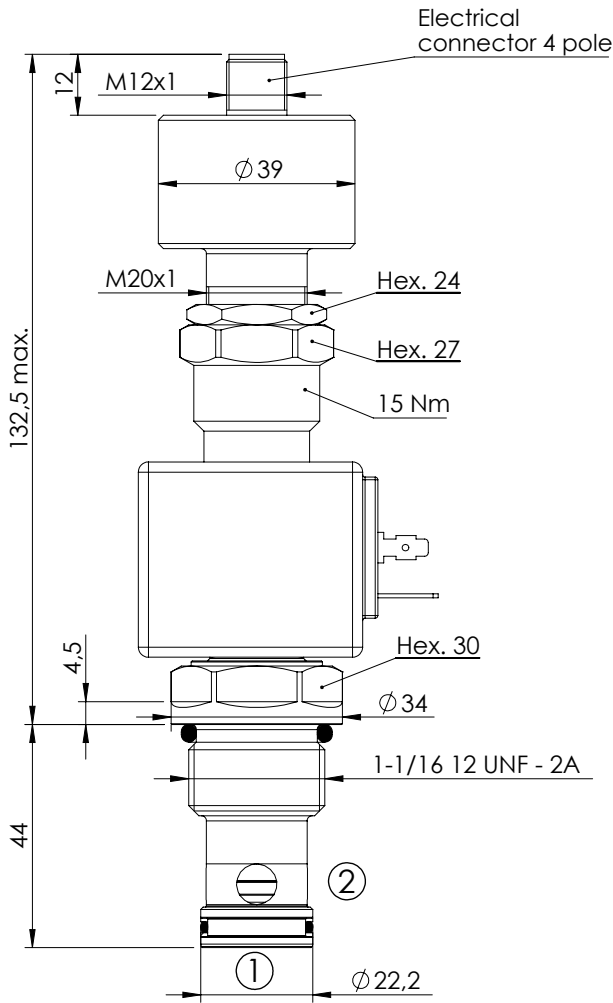
**ORDERING CODES**

Quick code	Description	Connector	Voltage	Options
CE001106	CEBN-100-NAFN-121-057-V350-12HR	DIN 43650	12V DC	Proximity sensor
CE001107	CEBN-100-NAFN-121-057-V350-24HR	DIN 43650	24V DC	Proximity sensor

**SOLENOID OPERATED CARTRIDGE**

**CEBN-180-NAFN**

**POPPET TYPE  
PROXIMITY SENSOR**

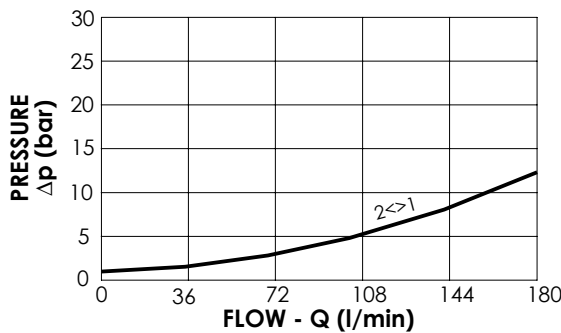


**SPECIFICATIONS**

Max. operating pressure:	350 bar
Rated flow:	180 l/min
Cavity:	SAE-12-2N
Weight:	0,6 kg
Coil type:	M7 type
Operating temperature:	-25/+80°C

**NOTES**

Installation torque:	135 - 150 Nm
Seal kit:	RB100083



**ORDERING CODES**

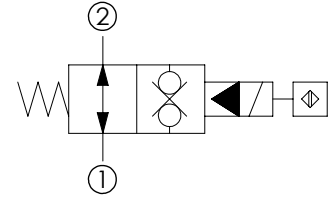
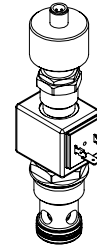
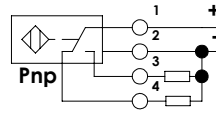
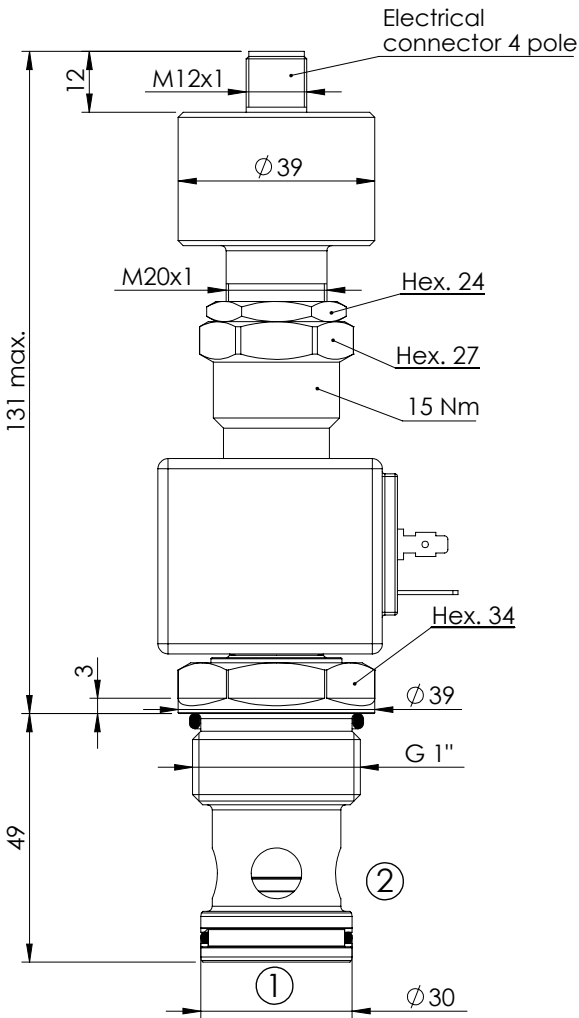
Quick code	Description	Connector	Voltage	Options
CE001108	CEBN-180-NAFN-121-S12-V350-12HR	DIN 43650	12V DC	Proximity sensor
CE001109	CEBN-180-NAFN-121-S12-V350-24HR	DIN 43650	24V DC	Proximity sensor



**SOLENOID OPERATED CARTRIDGE**

**CEBN-200-NAFN**

**POPPET TYPE  
PROXIMITY SENSOR**

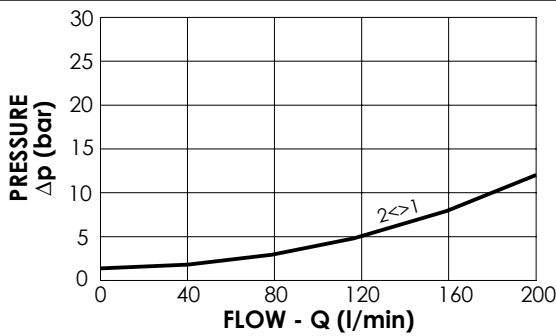


**SPECIFICATIONS**

Max. operating pressure:	350 bar
Rated flow:	200 l/min
Cavity:	VP000013
Weight:	0,71 kg
Coil type:	M7 type
Operating temperature:	-25/+80°C

**NOTES**

Installation torque:	135 - 150 Nm
Seal kit:	RD100013



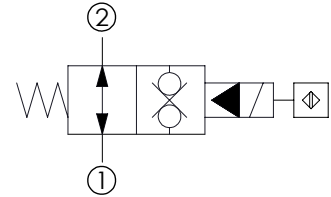
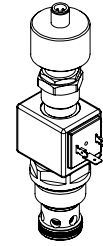
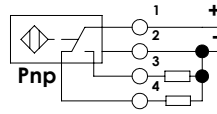
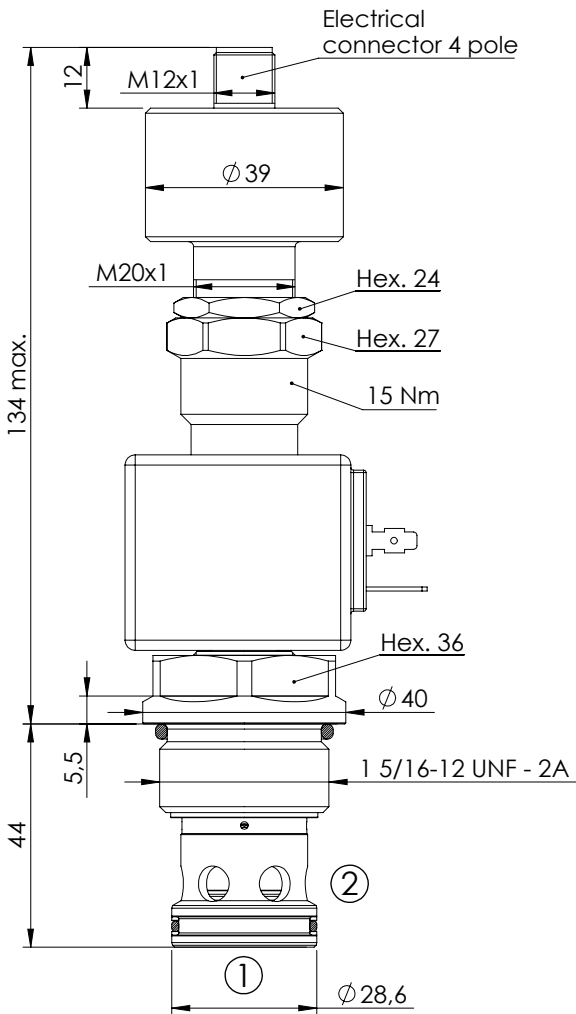
**ORDERING CODES**

Quick code	Description	Connector	Voltage	Options
CE001110	CEBN-200-NAFN-121-013-V350-12HR	DIN 43650	12V DC	Proximity sensor
CE001111	CEBN-200-NAFN-121-013-V350-24HR	DIN 43650	24V DC	Proximity sensor

**SOLENOID OPERATED CARTRIDGE**

**CEBN-300-NADR**

**POPPET TYPE  
PROXIMITY SENSOR**

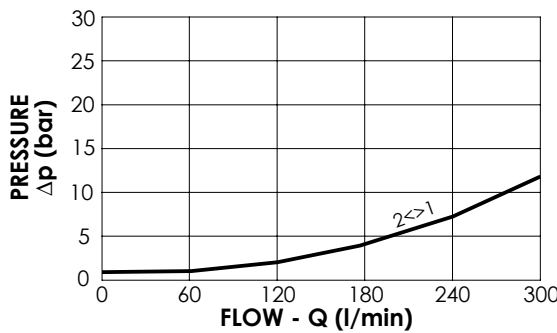


**SPECIFICATIONS**

Max. operating pressure:	350 bar
Rated flow:	300 l/min
Cavity:	SAE-16-2N
Weight:	0,72 kg
Coil type:	M7 type
Operating temperature:	-25/+80°C

**NOTES**

Installation torque:	118 - 132 Nm
Seal kit:	RB100084



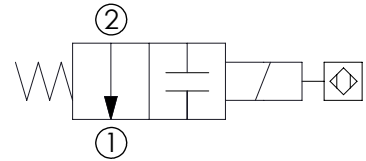
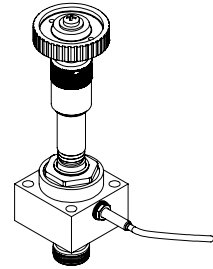
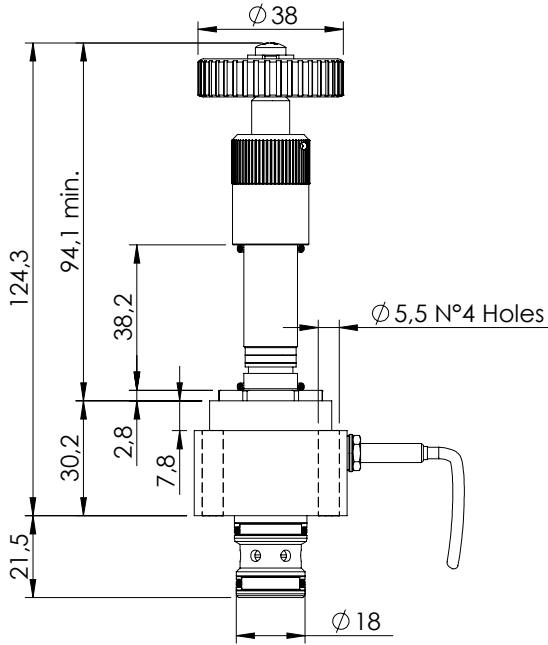
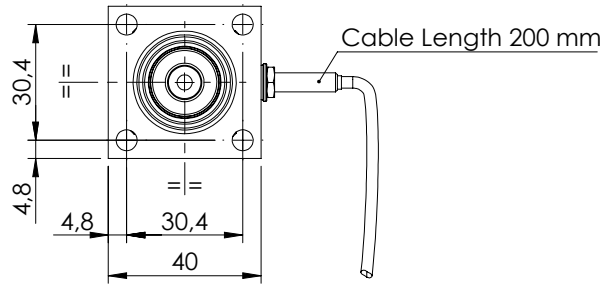
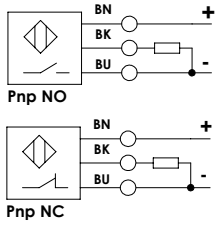
**ORDERING CODES**

Quick code	Description	Connector	Voltage	Options
CE001049	CEBN-300-NADR-121-S16-V350-12HR	DIN 43650	12V DC	Proximity sensor
CE001071	CEBN-300-NADR-121-S16-V350-24HR	DIN 43650	24V DC	Proximity sensor

**SOLENOID OPERATED CARTRIDGE**

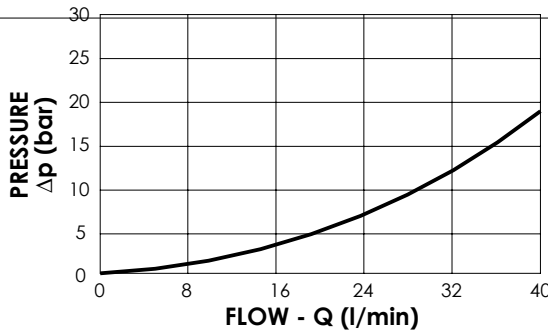
**CEBD-040-NAMV**

**DIRECT OPERATED  
POPPET TYPE  
POSITION SENSOR**



**SPECIFICATIONS**

Max. operating pressure:	350 bar
Rated flow:	40 l/min
Cavity:	VP000338
Weight:	0,4 kg
Coil type:	M14 type
Min. voltage required:	90% of nominal
Max. int. leakage:	200 cc/min (@46 cst)
Installation torque:	5 Nm
Seal kit:	RD700338



**NOTES**

- To be mounted with M5x30 screws
- Maximum pressure in ②: 100 bar

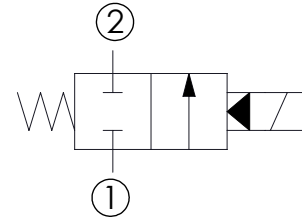
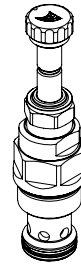
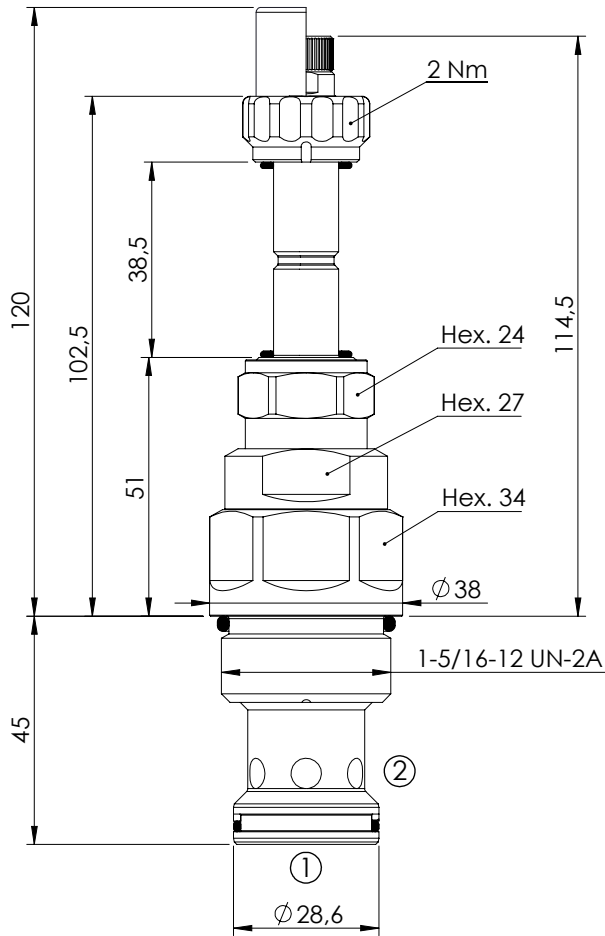
**ORDERING CODES**

Quick code	Description	Sensor type	
CE000818	CEBD-040-NAMV-97-338-N350	Valve not energized Sensor open (PNP-NO)	
CE000819	CEBD-040-NACV-97-338-N350	Valve not energized Sensor closed (PNP-NC)	

**SOLENOID OPERATED CARTRIDGE**

**CEBT-300-NCFN**

**PILOTED RELIEF  
SPOOL TYPE**

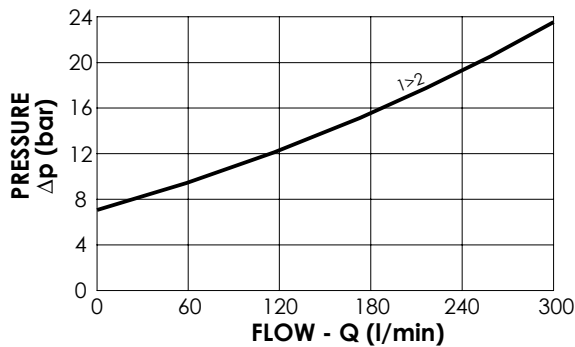


**SPECIFICATIONS**

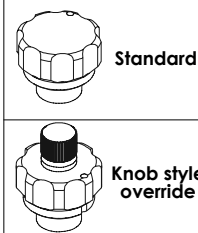
Max. operating pressure:	350 bar
Rated flow:	300 l/min
Cavity:	SAE-16-2N
Weight:	0,5 kg
Coil type:	M7 type
Max. int. leakage:	350 cm <sup>3</sup> /min (@46 cSt)
Seal kit:	RA900084

**NOTES**

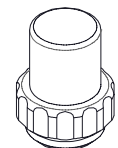
Installation torque: 118 - 132 Nm



**OPTIONS**



**SEALING CAP**



Ordering code:  
AT000113

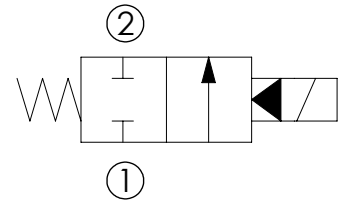
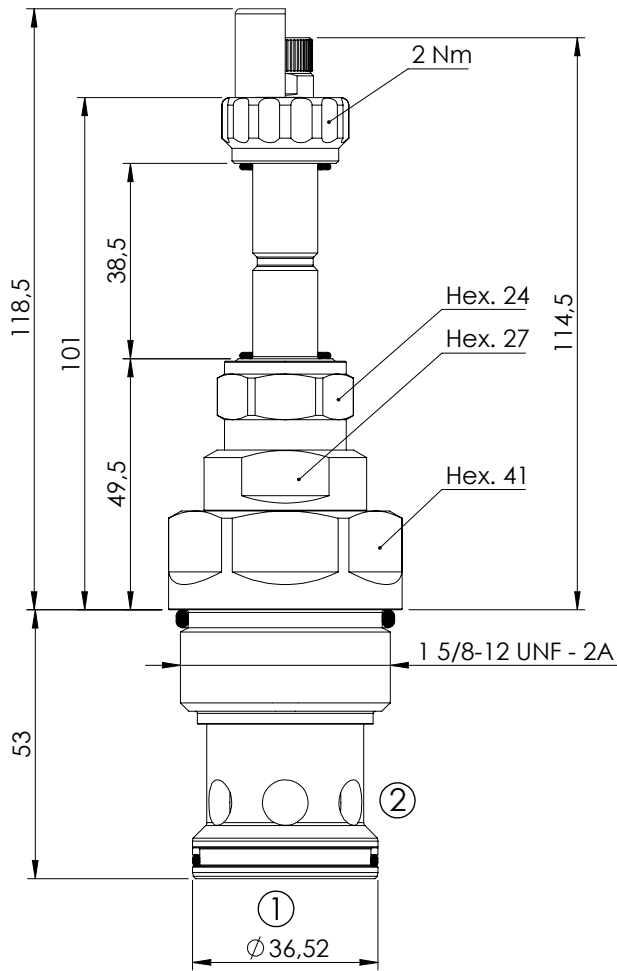
**ORDERING CODES**

Quick code	Description	Options
CE000913	CEBT-300-NCFN-98-S16-N350	Standard
CE000914	CEBT-300-NCFE-98-S16-N350	Knob style override

**SOLENOID OPERATED CARTRIDGE**

**CEBT-500-NCFN**

**PILOTED OPERATED  
SPOOL TYPE**

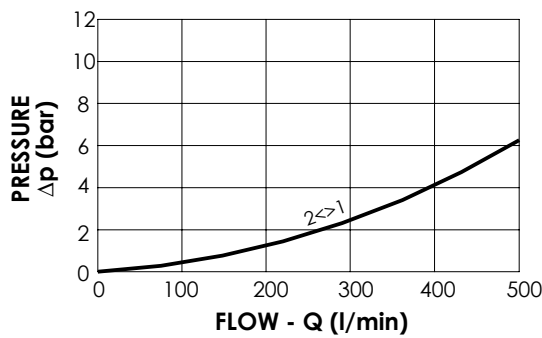


**SPECIFICATIONS**

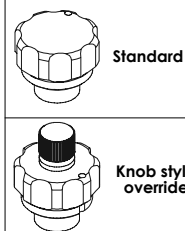
Max. operating pressure:	350 bar
Rated flow:	500 l/min
Cavity:	SAE-20-2N
Weight:	0,7 kg
Coil type:	M7 type
Max. int. leakage:	400 cm <sup>3</sup> /min (@46 cst)
Seal kit:	RA900085

**NOTES**

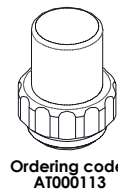
Installation torque: 230 - 250 Nm



**OPTIONS**



**SEALING CAP**



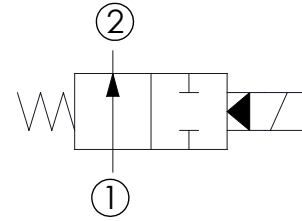
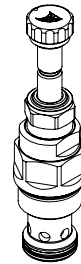
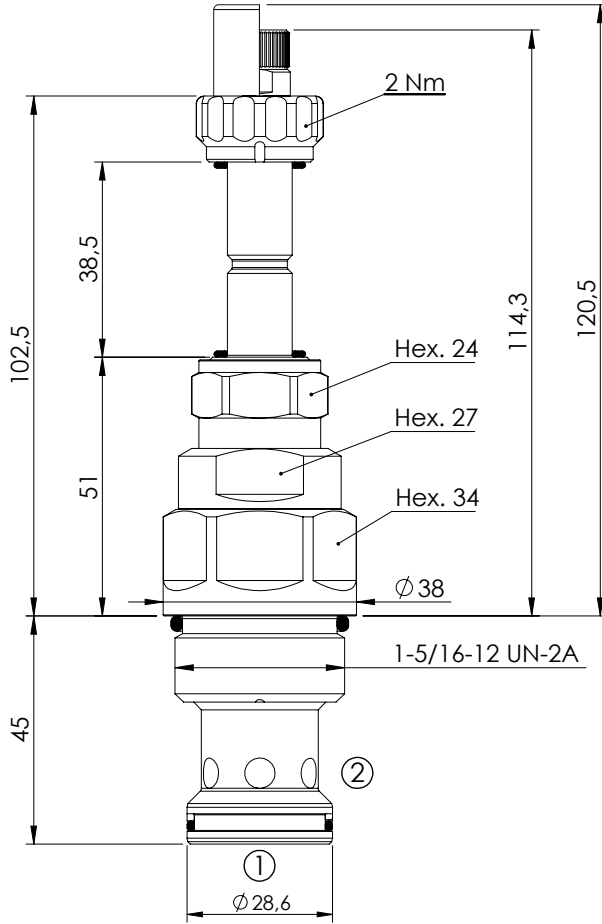
**ORDERING CODES**

Quick code	Description	Options	
CE000763	CEBT-500-NCFN-98-S20-N350	Standard	
CE000764	CEBT-500-NCFK-98-S20-N350	Knob style override	

**SOLENOID OPERATED CARTRIDGE**

**CEBT-300-NAFN**

**PILOTED RELIEF  
SPOOL TYPE**



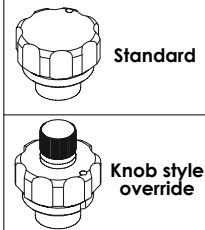
**SPECIFICATIONS**

Max. operating pressure:	350 bar
Rated flow:	300 l/min
Cavity:	SAE-16-2N
Weight:	0,5 kg
Coil type:	M7 type
Max. int. leakage:	350 cm <sup>3</sup> /min (@46 cSt)
Seal kit:	RA900084

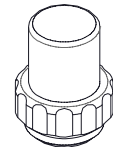
**NOTES**

Installation torque: 118 - 132 Nm

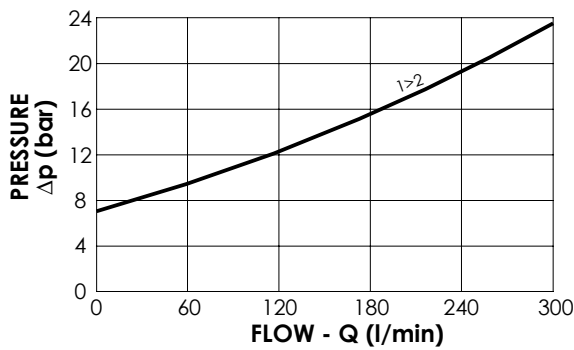
**OPTIONS**



**SEALING CAP**



Ordering code:  
AT000113



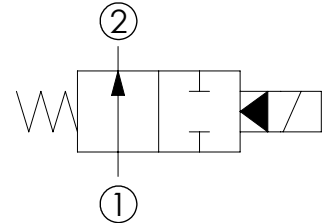
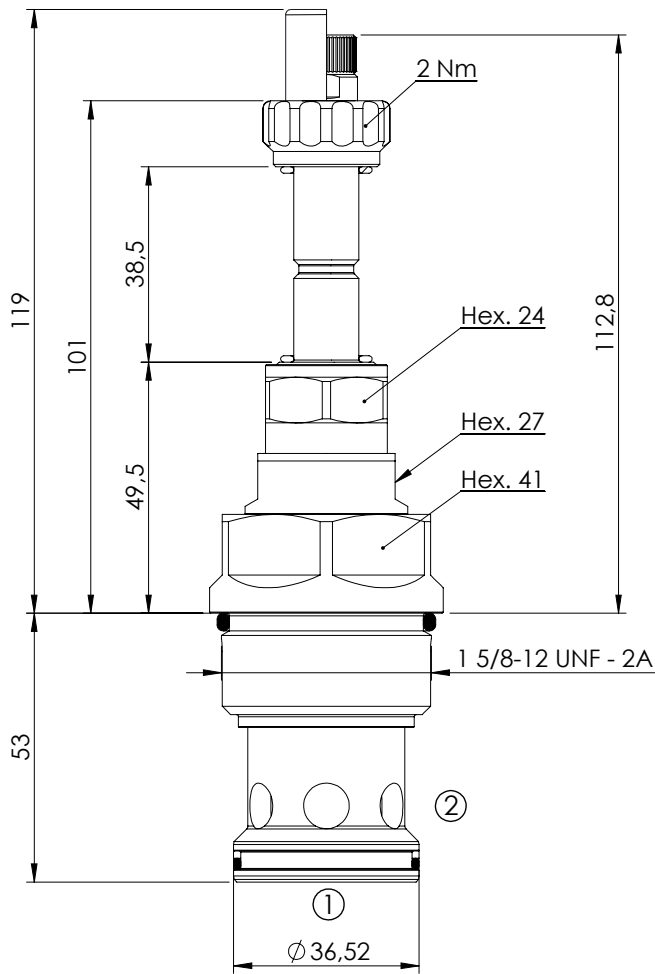
**ORDERING CODES**

Quick code	Description	Options
CE000861	CEBT-300-NAFN-99-S16-N350	Standard
CE000888	CEBT-300-NAFE-99-S16-N350	Knob style override

**SOLENOID OPERATED CARTRIDGE**

**CEBT-500-NAFN**

**PILOTED OPERATED  
SPOOL TYPE**

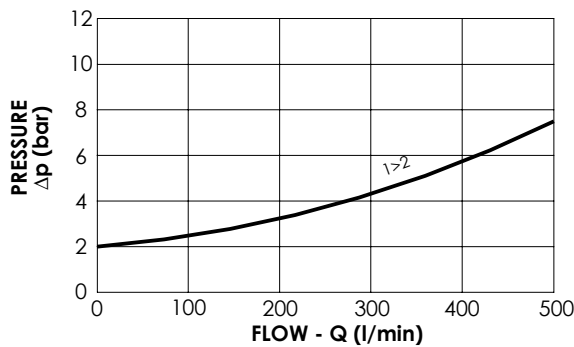


**SPECIFICATIONS**

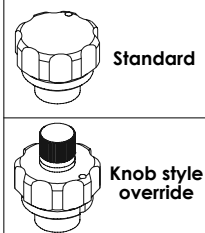
Max. operating pressure:	350 bar
Rated flow:	500 l/min
Cavity:	SAE-20-2N
Weight:	0,7 kg
Coil type:	M7 type
Max. int. leakage:	400 cm <sup>3</sup> /min (@46 cSt)
Seal kit:	RA900085

**NOTES**

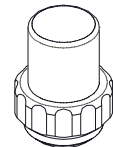
Installation torque: 230 - 250 Nm



**OPTIONS**



**SEALING CAP**



Ordering code:  
AT000113

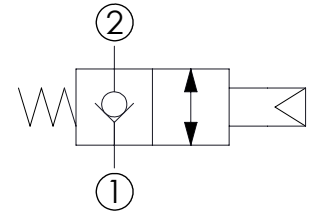
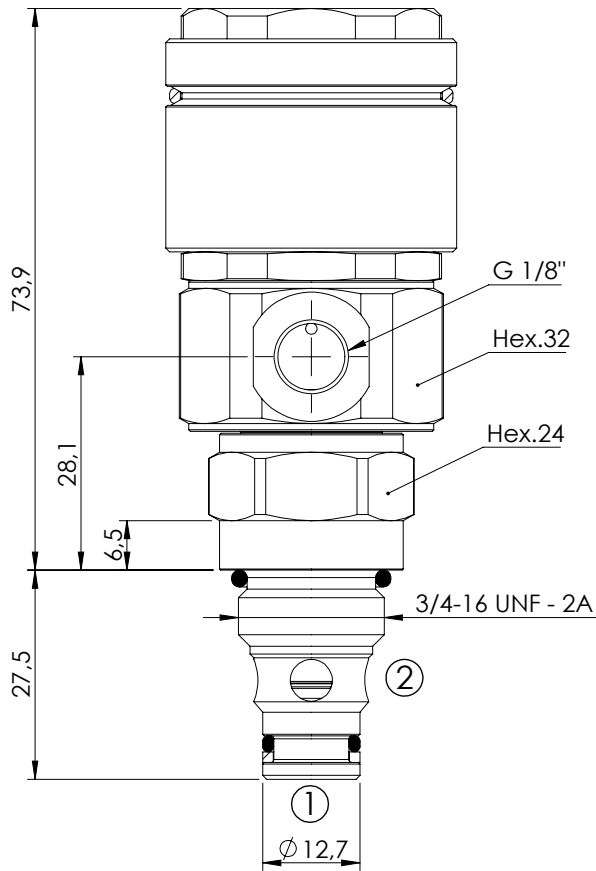
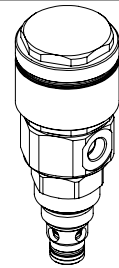
**ORDERING CODES**

Quick code	Description	Options
CE000765	CEBT-500-NAFN-99-S20-N350	Standard
CE000766	CEBT-500-NAFK-99-S20-N350	Knob style override

**SOLENOID OPERATED CARTRIDGE**

**CEBN-040-NCAN**

**PNEUMATIC OPERATED  
POPPET TYPE**

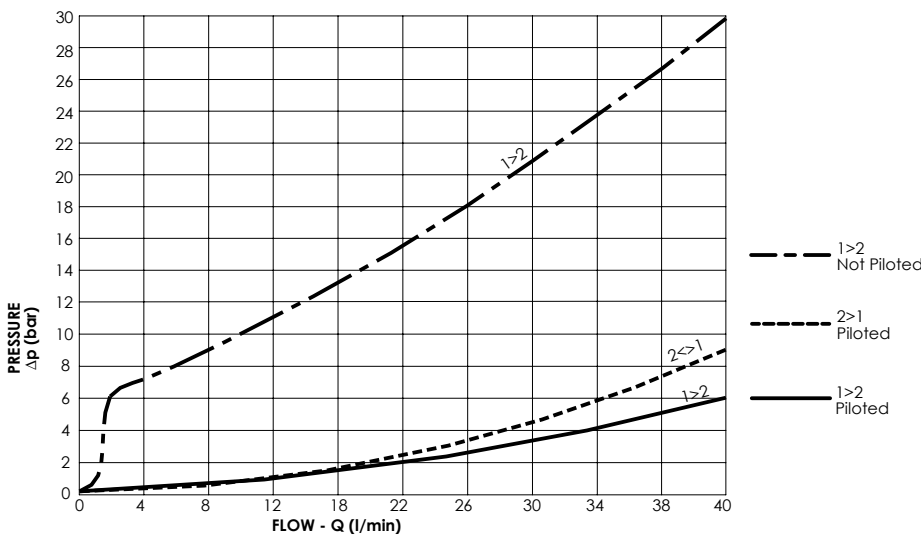


**SPECIFICATIONS**

Max. operating pressure:	350 bar
Rated flow:	40 l/min
Cavity:	SAE-08-2N
Weight:	0,31 kg
Seal kit:	RA900081

**NOTES**

Installation torque: **45 - 50 Nm**



**ORDERING CODES**

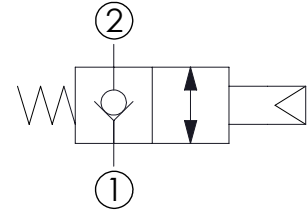
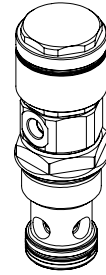
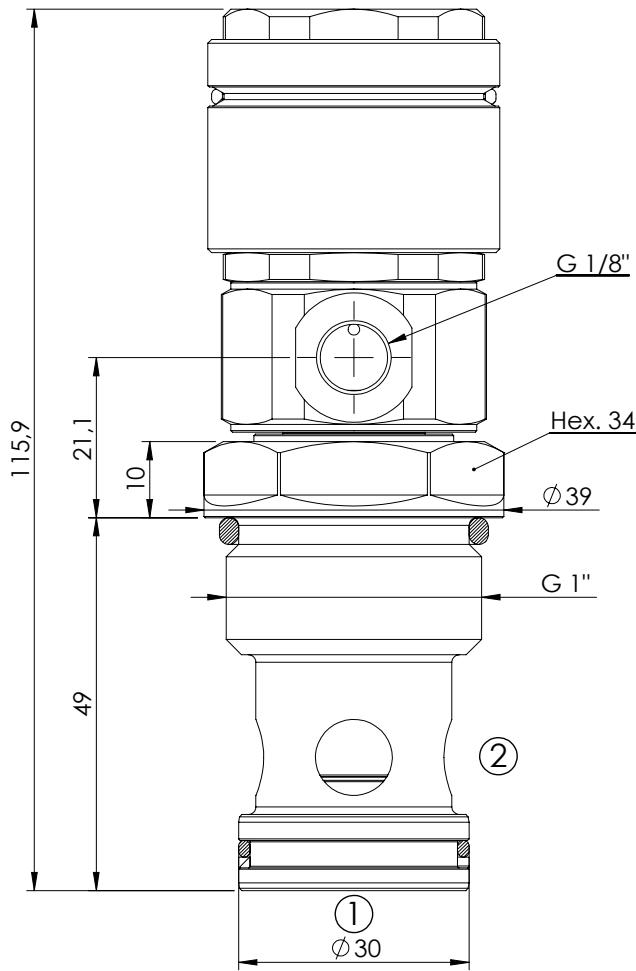
Quick code	Description	Pneumatic pilot pressure (bar)	
		Min. 4	Max. 10
CE000961	CEBN-040-NCAN-123-S08-N350		



SOLENOID OPERATED CARTRIDGE

**CEBN-200-NCAN**

PNEUMATIC OPERATED  
POPPET TYPE

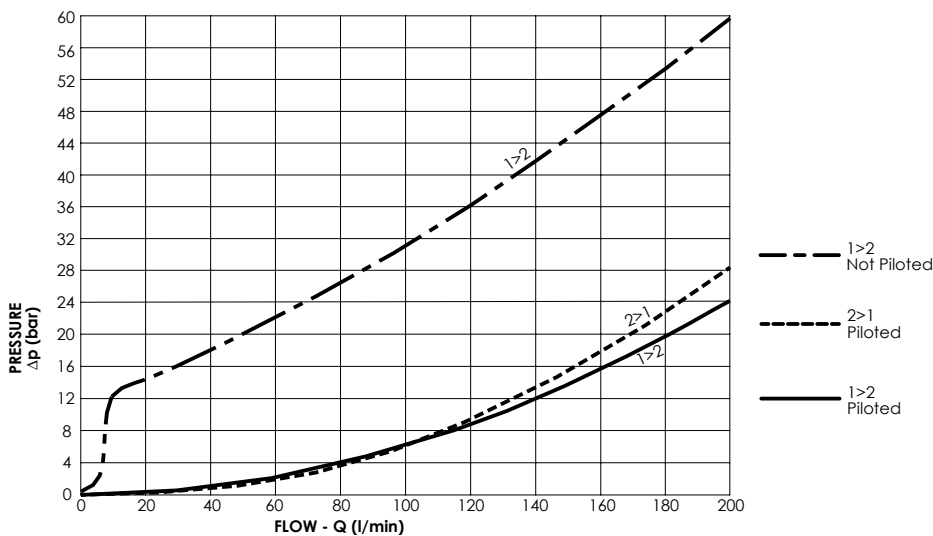


**SPECIFICATIONS**

Max. operating pressure:	350 bar
Rated flow:	200 l/min
Cavity:	VP000013
Weight:	0,52 kg
Seal kit:	RA900013

**NOTES**

Installation torque: 135 - 150 Nm



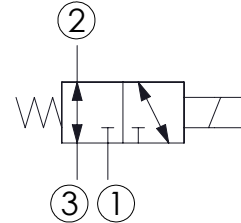
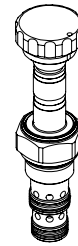
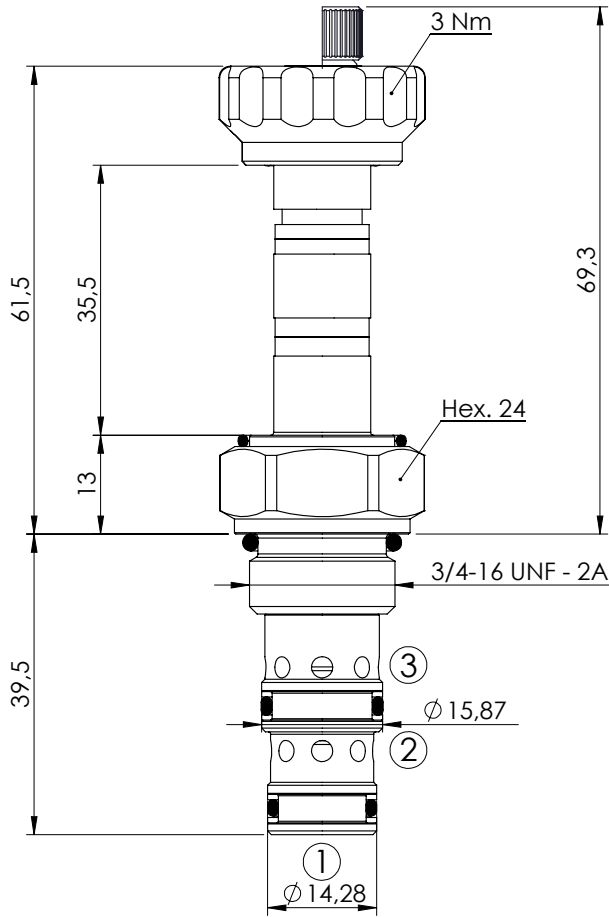
**ORDERING CODES**

Quick code	Description	Pneumatic pilot pressure (bar)	
		Min. 4	Max. 10
CE000883	CEBN-200-NCAN-123-013-N350	Min. 4	Max. 10

**SOLENOID OPERATED CARTRIDGE**

**CECS-010-SEFN**

**DIRECT OPERATED  
SPOOL TYPE**



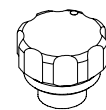
**SPECIFICATIONS**

Max. operating pressure:	210 bar
Rated flow:	10 l/min
Cavity:	SAE-08-3N
Weight:	0,14 kg
Min. voltage required:	90% of nominal
Coil type:	M7 type
Leakage:	120cm <sup>3</sup> /min
Seal kit:	RB700091

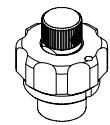
**NOTES**

Installation torque: 45 - 50 Nm

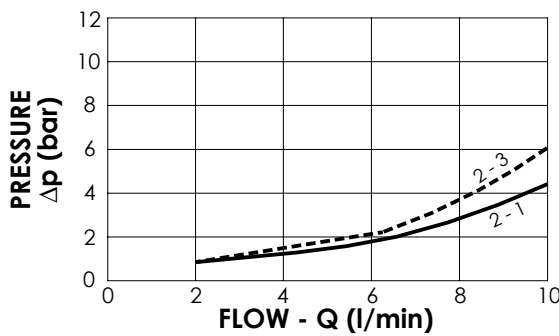
**OPTIONS**



Standard



Knob style  
override



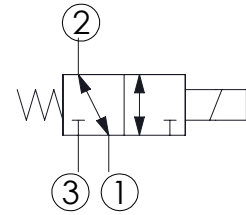
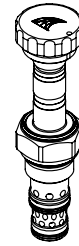
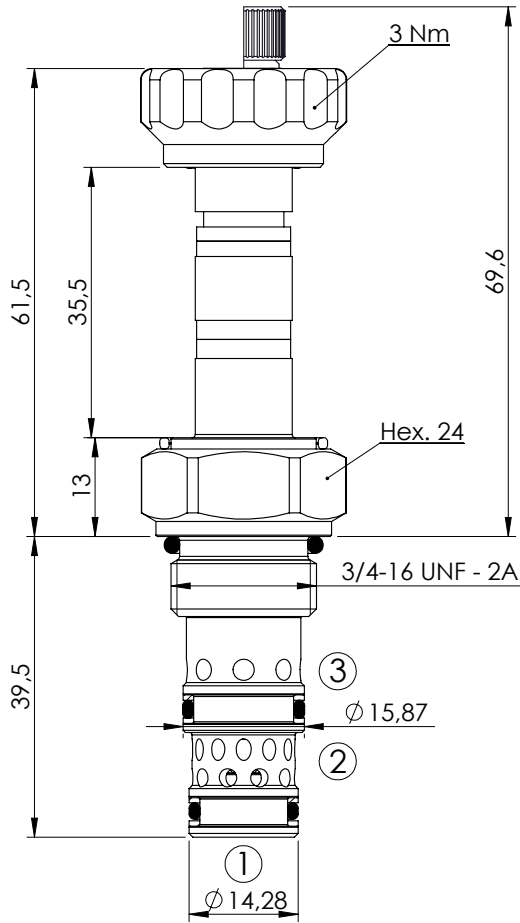
**ORDERING CODES**

Quick code	Description	Options	
CE000009	CECS-010-SEFN-61-S08-N210	Standard	
CE000066	CECS-010-SEFE-61-S08-N210	Knob style override	

SOLENOID OPERATED CARTRIDGE

**CECS-010-SEFN**

**DIRECT OPERATED  
SPOOL TYPE**



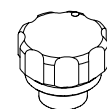
**SPECIFICATIONS**

Max. operating pressure:	210 bar
Rated flow:	10 l/min
Cavity:	SAE-08-3N
Weight:	0,14 kg
Min. voltage required:	90% of nominal
Coil type:	M7 type
Leakage:	120cm <sup>3</sup> /min
Seal kit:	RB700091

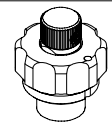
**NOTES**

Installation torque: 45 - 50 Nm

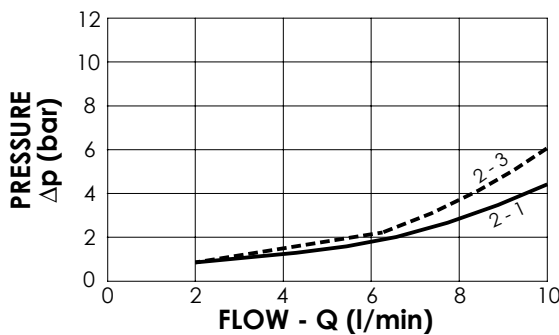
**OPTIONS**



Standard



Knob style override



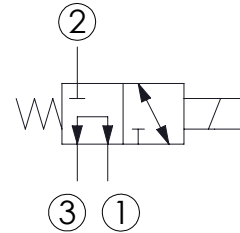
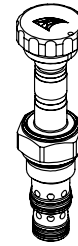
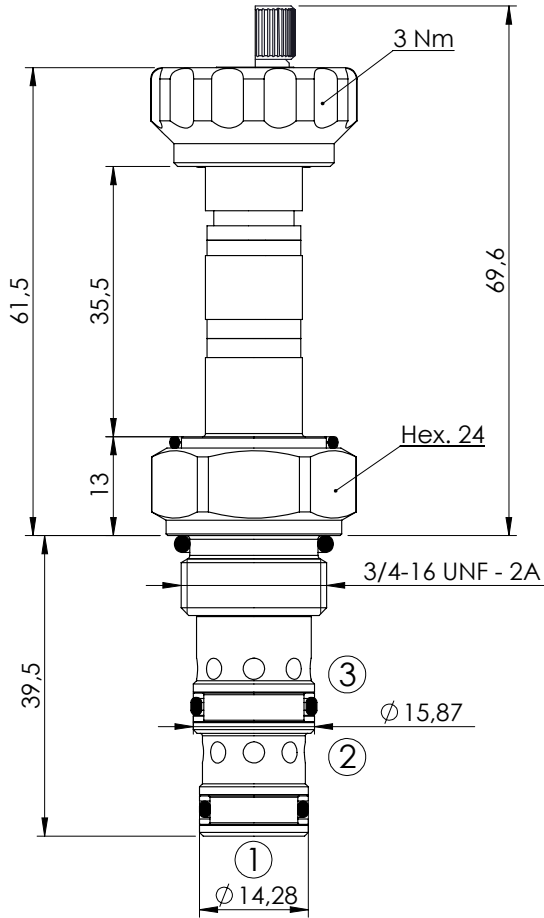
**ORDERING CODES**

Quick code	Description	Options	
CE000010	CECS-010-SEFN-62-S08-N210	Standard	
CE000067	CECS-010-SEFE-62-S08-N210	Knob style override	

**SOLENOID OPERATED CARTRIDGE**

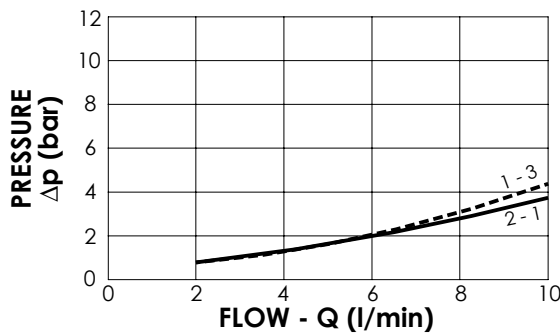
**CECS-010-SEFN**

**DIRECT OPERATED  
SPOOL TYPE**



**SPECIFICATIONS**

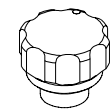
Max. operating pressure:	210 bar
Rated flow:	10 l/min
Cavity:	SAE-08-3N
Weight:	0,14 kg
Min. voltage required:	90% of nominal
Coil type:	M7 type
Leakage:	120cm <sup>3</sup> /min
Seal kit:	RB700091



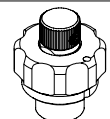
**NOTES**

Installation torque: 45 - 50 Nm

**OPTIONS**



Standard



Knob style  
override

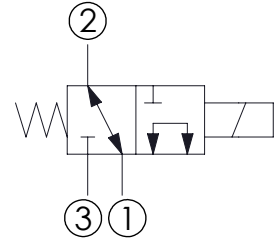
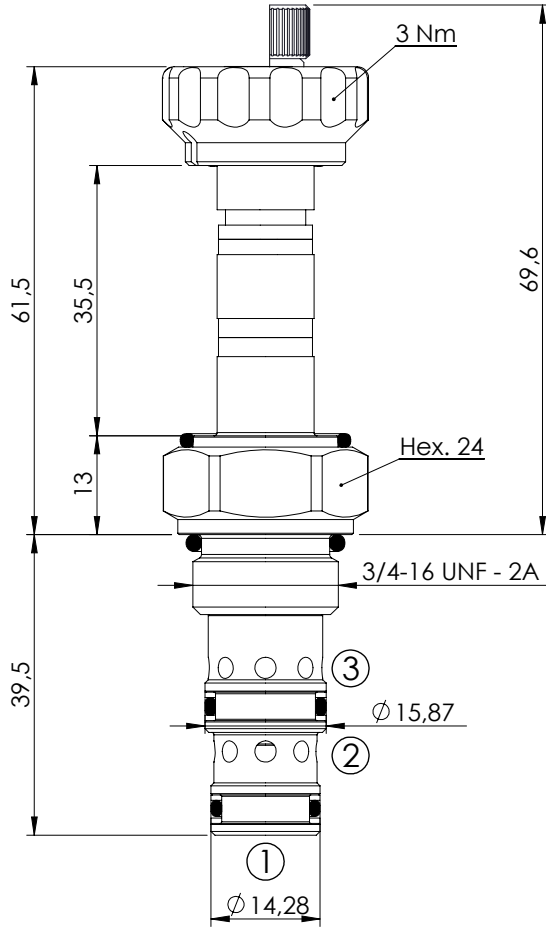
**ORDERING CODES**

Quick code	Description	Options	
CE000011	CECS-010-SEFN-63-S08-N210	Standard	
CE000068	CECS-010-SEFE-63-S08-N210	Knob style override	

**SOLENOID OPERATED CARTRIDGE**

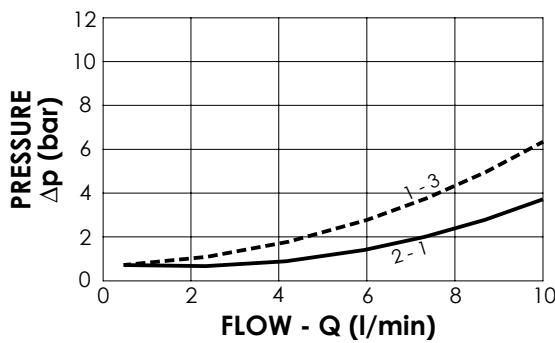
**CECS-010-SEFN**

**DIRECT OPERATED  
SPOOL TYPE**



**SPECIFICATIONS**

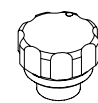
Max. operating pressure:	210 bar
Rated flow:	10 l/min
Cavity:	SAE-08-3N
Weight:	0,14 kg
Min. voltage required:	90% of nominal
Coil type:	M7 type
Leakage:	120cm <sup>3</sup> /min
Seal kit:	RB700091



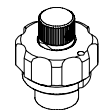
**NOTES**

Installation torque: 45 - 50 Nm

**OPTIONS**



Standard



Knob style  
override

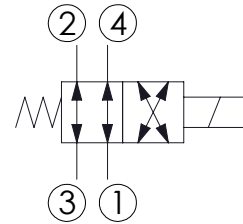
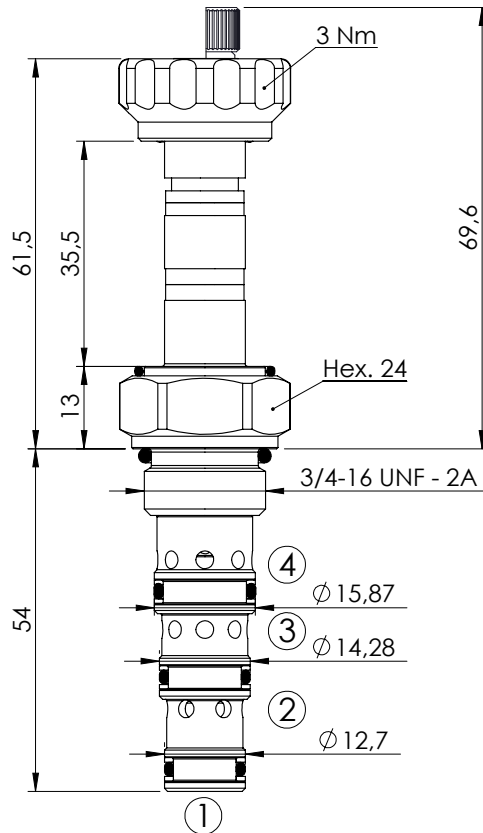
**ORDERING CODES**

Quick code	Description	Options	
CE000008	CECS-010-SEFN-64-S08-N210	Standard	
CE000070	CECS-010-SEFE-64-S08-N210	Knob style override	

**SOLENOID OPERATED CARTRIDGE**

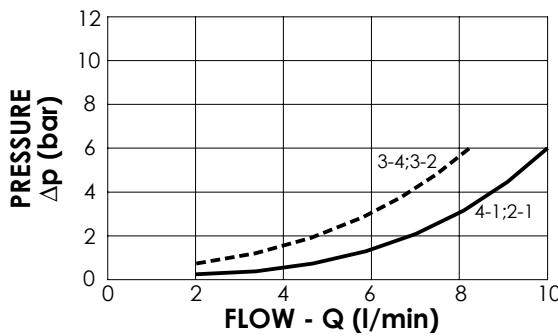
**CEDS-010-SEFN**

**DIRECT OPERATED  
SPOOL TYPE**



**SPECIFICATIONS**

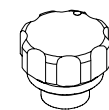
Max. operating pressure:	210 bar
Rated flow:	10 l/min
Cavity:	SAE-08-4N
Weight:	0,14 kg
Min. voltage required:	90% of nominal
Coil type:	M7 type
Leakage:	120cm <sup>3</sup> /min
Seal kit:	RB700101



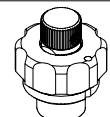
**NOTES**

Installation torque: 45 - 50 Nm

**OPTIONS**



Standard



Knob style  
override

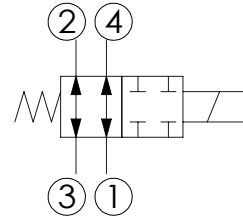
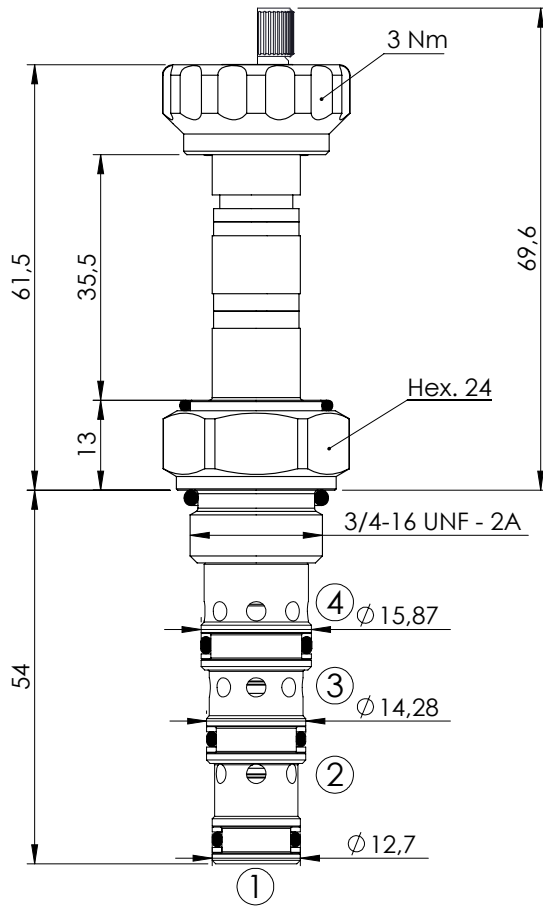
**ORDERING CODES**

Quick code	Description	Options	
CE000014	CEDS-010-SEFN-40-S08-N210	Standard	
CE000071	CEDS-010-SEFE-40-S08-N210	Knob style override	

**SOLENOID OPERATED CARTRIDGE**

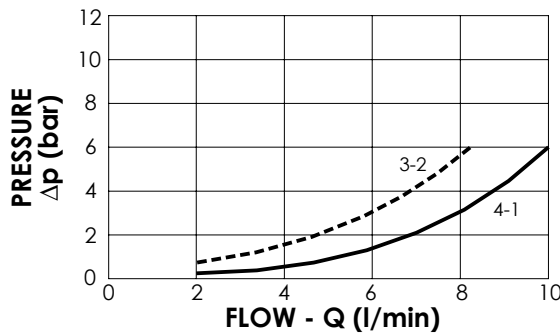
**CEDS-010-SEFN**

**DIRECT OPERATED  
SPOOL TYPE**



**SPECIFICATIONS**

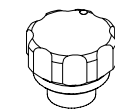
Max. operating pressure:	210 bar
Rated flow:	10 l/min
Cavity:	SAE-08-4N
Weight:	0,14 kg
Min. voltage required:	90% of nominal
Coil type:	M7 type
Leakage:	120cm <sup>3</sup> /min
Seal kit:	RB700101



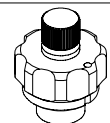
**NOTES**

Installation torque: 45 - 50 Nm

**OPTIONS**



Standard



Knob style  
override

**ORDERING CODES**

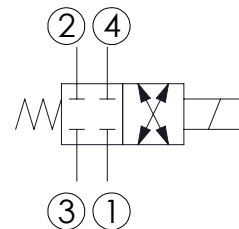
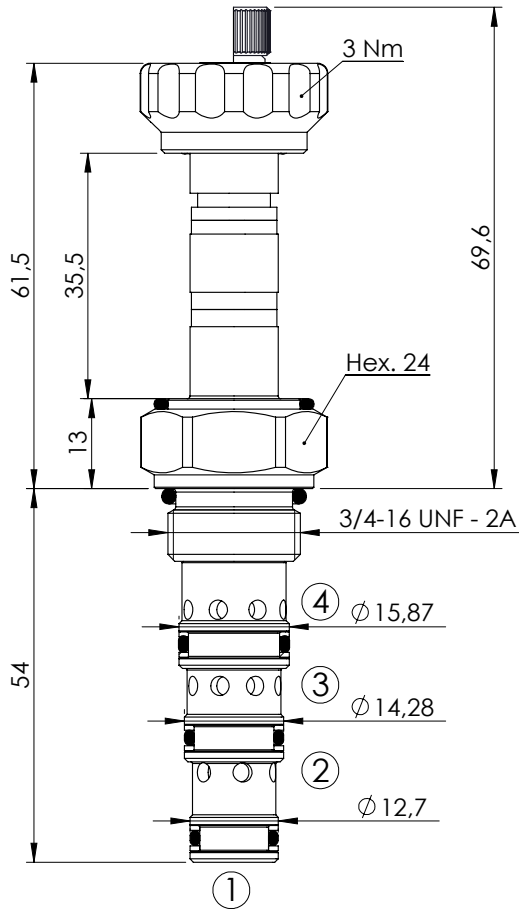
Quick code	Description	Options	
CE000867	CEDS-010-SEFN-49-S08-N210	Standard	
CE000787	CEDS-010-SEFE-49-S08-N210	Knob style override	

**SOLENOID OPERATED CARTRIDGE**



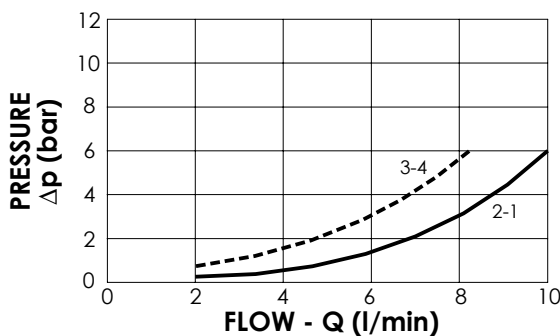
**CEDS-010-SEFN**

**DIRECT OPERATED  
SPOOL TYPE**



**SPECIFICATIONS**

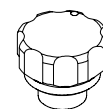
Max. operating pressure:	210 bar
Rated flow:	10 l/min
Cavity:	SAE-08-4N
Weight:	0,14 kg
Min. voltage required:	90% of nominal
Coil type:	M7 type
Leakage:	120cm <sup>3</sup> /min
Seal kit:	RB700101



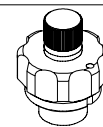
**NOTES**

Installation torque: **45 - 50 Nm**

**OPTIONS**



Standard



Knob style  
override

**ORDERING CODES**

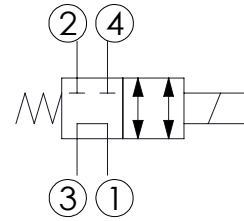
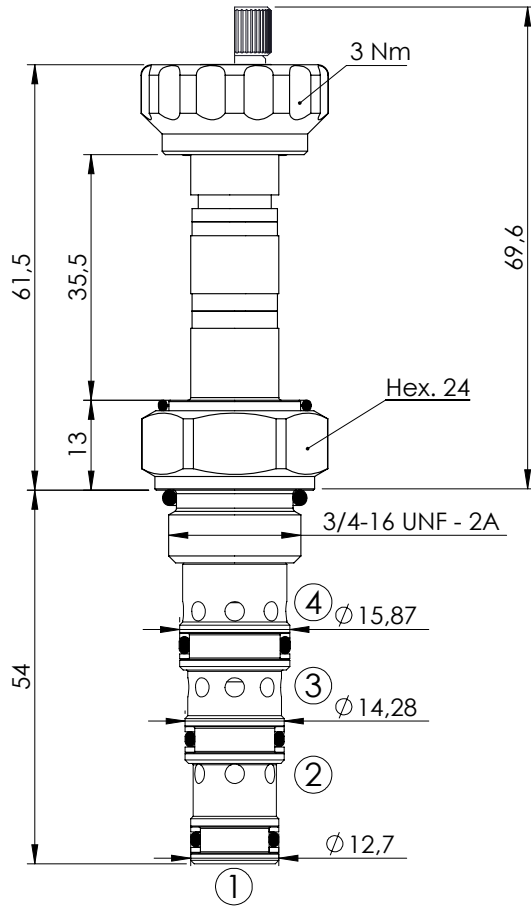
Quick code	Description	Options	
CE000012	CEDS-010-SEFN-41-S08-N210	Standard	
CE000073	CEDS-010-SEFE-41-S08-N210	Knob style override	



SOLENOID OPERATED CARTRIDGE

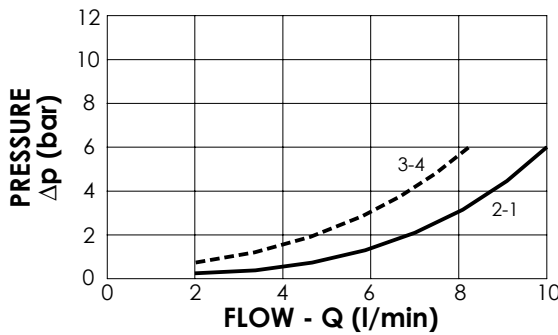
**CEDS-010-SEFN**

DIRECT OPERATED  
SPOOL TYPE



**SPECIFICATIONS**

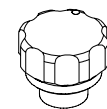
Max. operating pressure:	210 bar
Rated flow:	10 l/min
Cavity:	SAE-08-4N
Weight:	0,14 kg
Min. voltage required:	90% of nominal
Coil type:	M7 type
Leakage:	120cm <sup>3</sup> /min
Seal kit:	RB700101



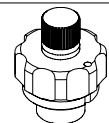
**NOTES**

Installation torque: 45 - 50 Nm

**OPTIONS**



Standard



Knob style  
override

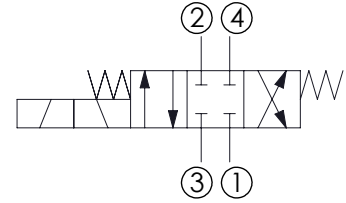
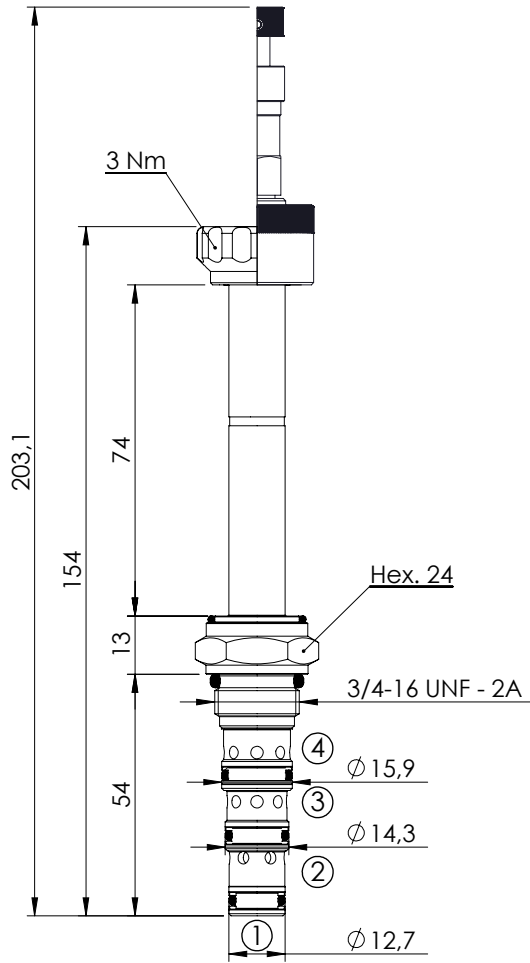
**ORDERING CODES**

Quick code	Description	Options	
CE000006	CEDS-010-SEFN-43-S08-N210	Standard	
CE000074	CEDS-010-SEFE-43-S08-N210	Knob style override	

**SOLENOID OPERATED CARTRIDGE**

**CEES-010-SEFN**

**DIRECT OPERATED  
SPOOL TYPE**



**SPECIFICATIONS**

Max. operating pressure:	210 bar
Rated flow:	10 l/min
Cavity:	SAE-08-4N
Weight:	0,18 kg
Min. voltage required:	90% of nominal
Coil type:	M7 type
Leakage:	120cm <sup>3</sup> /min
Seal kit:	RB700101

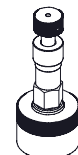
**NOTES**

Installation torque: 45 - 50 Nm

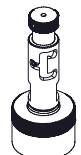
**OPTIONS**



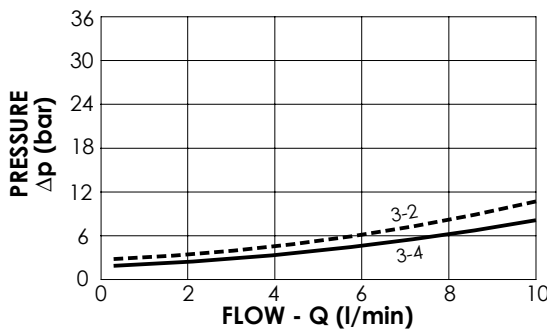
Standard



Push and pull manual override



Push pull and twist manual override



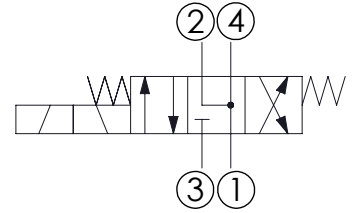
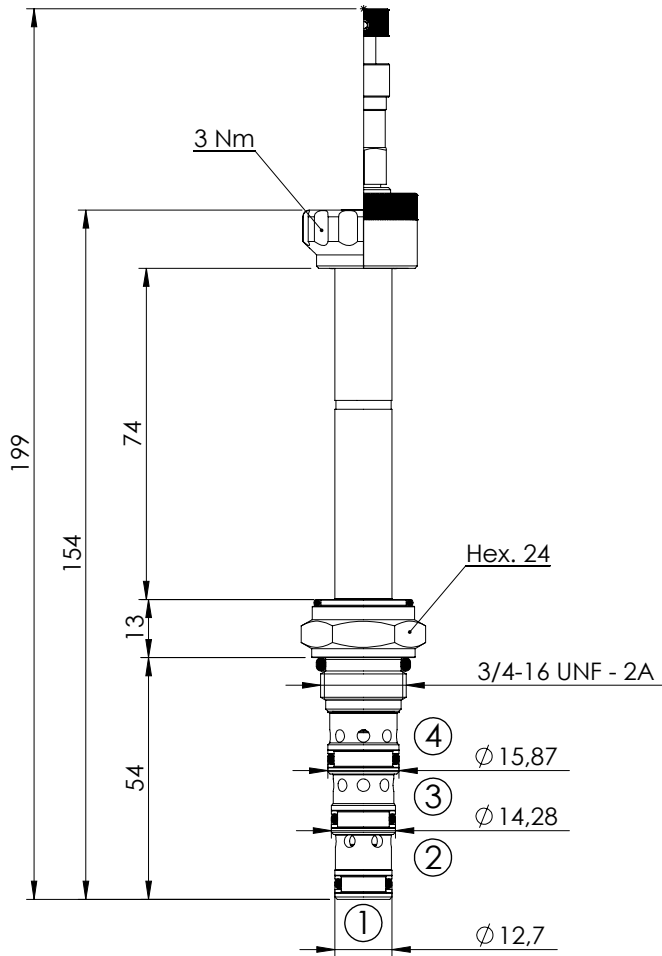
**ORDERING CODES**

Quick code	Description	Options	
CE000028	CEES-010-SEFN-51-S08-N210	Standard	
CE000098	CEES-010-SEFL-51-S08-N210	Push and pull manual override	
CE000189	CEES-010-SEFG-51-S08-N210	Push pull and twist manual override	

**SOLENOID OPERATED CARTRIDGE**

**CEES-010-SEFN**

**DIRECT OPERATED  
SPOOL TYPE**



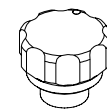
**SPECIFICATIONS**

Max. operating pressure:	210 bar
Rated flow:	10 l/min
Cavity:	SAE-08-4N
Weight:	0,18 kg
Min. voltage required:	90% of nominal
Coil type:	M7 type
Leakage:	120cm <sup>3</sup> /min
Seal kit:	RB700101

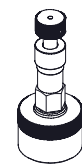
**NOTES**

Installation torque: **45 - 50 Nm**

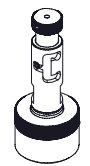
**OPTIONS**



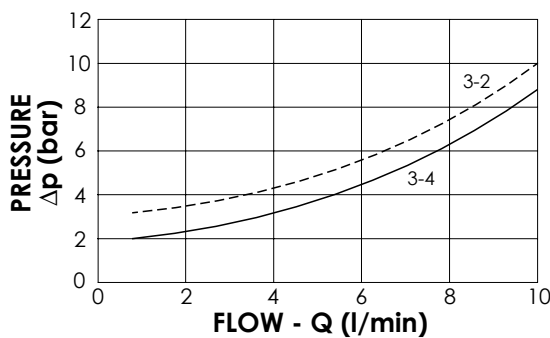
Standard



Push and pull manual override



Push pull and twist manual override



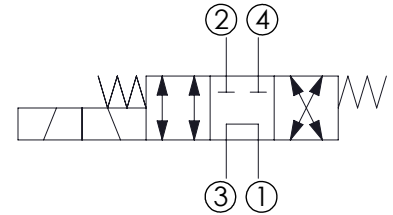
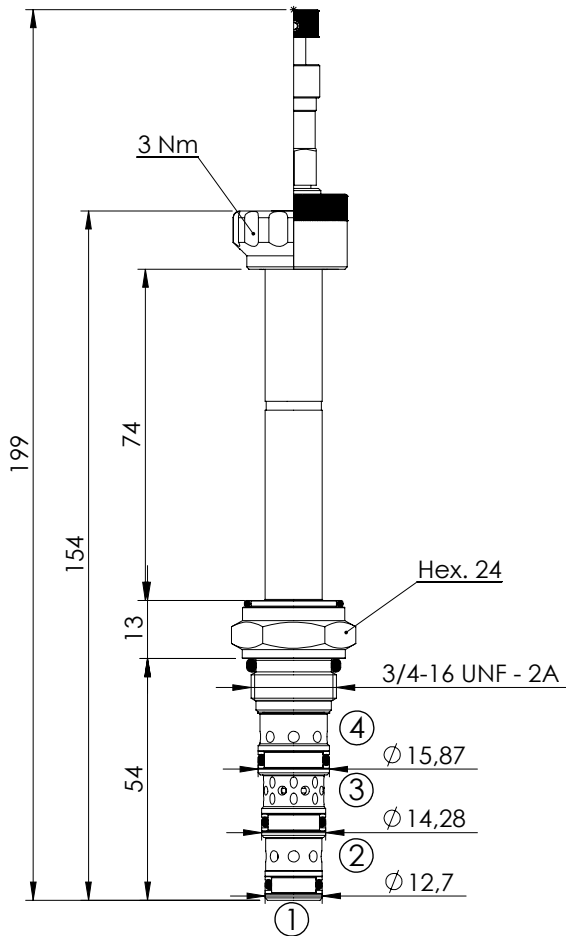
**ORDERING CODES**

Quick code	Description	Options	
CE000029	CEES-010-SEFN-52-S08-N210	Standard	
CE000095	CEES-010-SEFL-52-S08-N210	Push and pull manual override	
CE000145	CEES-010-SEFG-52-S08-N210	Push pull and twist manual override	

**SOLENOID OPERATED CARTRIDGE**

**CEES-010-SEFN**

**DIRECT OPERATED  
SPOOL TYPE**



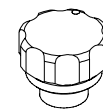
**SPECIFICATIONS**

Max. operating pressure:	210 bar
Rated flow:	10 l/min
Cavity:	SAE-08-4N
Weight:	0,18 kg
Min. voltage required:	90% of nominal
Coil type:	M7 type
Leakage:	120cm <sup>3</sup> /min
Seal kit:	RB700101

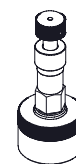
**NOTES**

Installation torque: 45 - 50 Nm

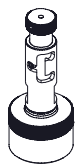
**OPTIONS**



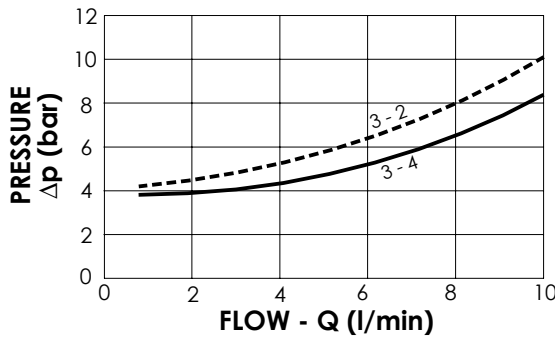
Standard



Push and pull manual override



Push pull and twist manual override



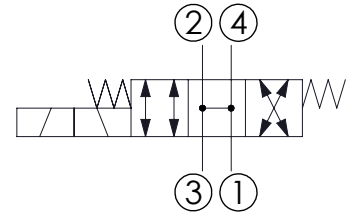
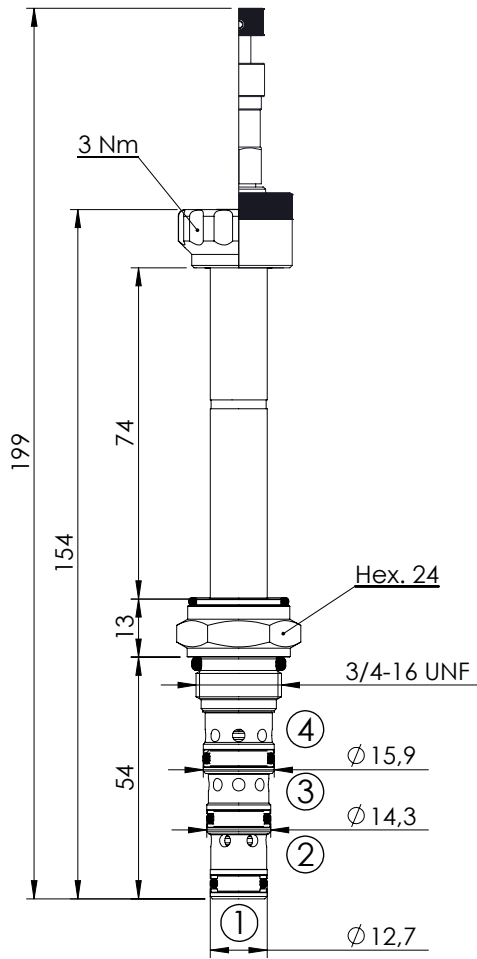
**ORDERING CODES**

Quick code	Description	Options	
CE000083	CEES-010-SEFN-53-S08-N210	Standard	
CE000097	CEES-010-SEFL-53-S08-N210	Push and pull manual override	
CE000185	CEES-010-SEFG-53-S08-N210	Push pull and twist manual override	

**SOLENOID OPERATED CARTRIDGE**

**CEES-010-SEFN**

**DIRECT OPERATED  
SPOOL TYPE**



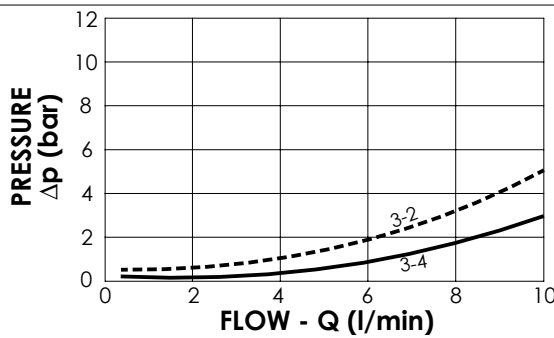
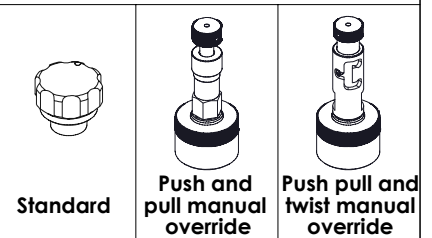
**SPECIFICATIONS**

Max. operating pressure:	210 bar
Rated flow:	10 l/min
Cavity:	SAE-08-4N
Weight:	0,18 kg
Min. voltage required:	90% of nominal
Coil type:	M7 type
Leakage:	120cm <sup>3</sup> /min
Seal kit:	RB700101

**NOTES**

Installation torque: 45 - 50 Nm

**OPTIONS**



**ORDERING CODES**

Quick code	Description	Options	
CE000018	CEES-010-SEFN-54-S08-N210	Standard	
CE000099	CEES-010-SEFL-54-S08-N210	Push and pull manual override	
CE000188	CEES-010-SEFG-54-S08-N210	Push pull and twist manual override	