



ATLANTIC
Fluid Tech

SECTION 8

Hydraulic
Motors,
Actuators
and Winch
Valves

SECTION 8

**HYDRAULIC MOTOR, ACTUATOR,
AND WINCH VALVES**



Hydraulic scheme	Valve description	Valve type	Rated flow (l/min)	Max. pressure (bar)	Installation	Main port size or cavity type	Page
	MADN-030-TLNR	Double antishock	30	350	In line	G 3/8"	8.01.010
	MADN-030-TLNR	Double antishock	30	350	In line	G 1/2"	8.01.020
	MADN-030-TBNR	Double antishock, for SD OMP-OMR	30	210	Flanged	G 1/2"	8.01.030
	MADN-080-TLNR	Double antishock	80	350	In line	G 1/2"	8.01.040
	MADN-040-LLNR	Dual cross over and anticavitation relief	40	210	In line	G 1/2"	8.02.050
	MADN-080-LLNR	Dual cross over and anticavitation relief	80	250	In line	G 3/4"	8.03.060
	MBDN-055-GLNR	Counterbalance, dual acting	55	350	In line	G 3/8"	8.04.070
	MBDN-055-GLSF	Counterbalance, dual acting, with brake release	55	350	In line	G 3/8"	8.05.080
	MFLN-150-RFSR	Flushing	150	350	Flanged	Ø13	8.06.090
	MFLN-300-RFSR	Flushing	300	350	Flanged	Ø19	8.06.100
	MFLN-500-RFSR	Flushing	500	350	Flanged	Ø25	8.06.110
	MBSN-060-ZMSF	Single acting, brake release, for SD OMS motor	60	350	Flanged	G 1/2"	8.07.120
	MBSN-060-ZMSF	Single acting, brake release, for SD OMP motor	60	350	Flanged	G 1/2"	8.07.130
	MBDN-060-ALSF	Dual acting, brake release	60	350	In line	G 3/8"	8.08.140
	MBDN-060-ALSF	Dual acting, brake release	60	350	In line	G 1/2"	8.08.150
	MBDN-060-ZMSF	Dual acting, brake release	60	250	Flanged	Ø9	8.08.160
	MBDN-060-ZMNR	Dual acting, brake release	60	210	Flanged	1/2" SAE 6000	8.08.170
	MBDN-060-ABSF	Dual acting, brake release	60	350	Flanged	G 1/2"	8.08.180
	MBDN-060-LMSF	Dual acting, brake release, for SD OMS motor	60	250	Flanged	G 1/2"	8.08.190
	MBDN-060-LMSF	Dual acting, brake release, for SD OMP motor	60	250	Flanged	G 1/2"	8.08.200
	MBDN-060-AMSF	Dual acting, brake release, for SAM BR motor	60	250	Flanged	G 1/2"	8.08.210
	MBDN-060-AMSF	Dual acting, brake release, for SAM HR motor	60	250	Flanged	G 1/2"	8.08.220
	MBDN-060-AMSR	Dual acting, brake release, for BR A2FE 28-32	60	420	Flanged	1/2" SAE 6000	8.09.230
	MBDN-100-AMSR	Dual acting, brake release, for BR A2FE 28-32	100	420	Flanged	1/2" SAE 6000	8.09.240
	MBDN-150-AMSR	Dual acting, brake release, for BR A2FE 45-56-63	150	420	Flanged	3/4" SAE 6000	8.09.250
	MBDN-150-AMSR	Dual acting, brake release, for BR A2FE 80-90	180	420	Flanged	1" SAE 6000	8.09.260
	MBDN-300-AMSR	Dual acting, brake release, for BR A2FE 80-90	300	420	Flanged	1" SAE 6000	8.09.270
MBDN-320-AMSR	Dual acting, brake release, for BR A2FE 107-125-160-180	320	420	Flanged	1-1/4" SAE 6000	8.09.280	

SECTION 8

**HYDRAULIC MOTOR, ACTUATOR,
AND WINCH VALVES**

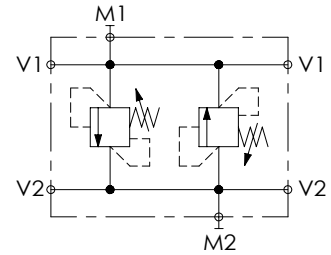
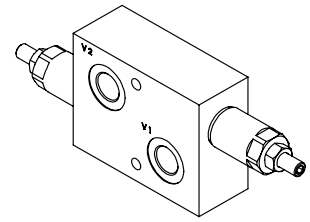
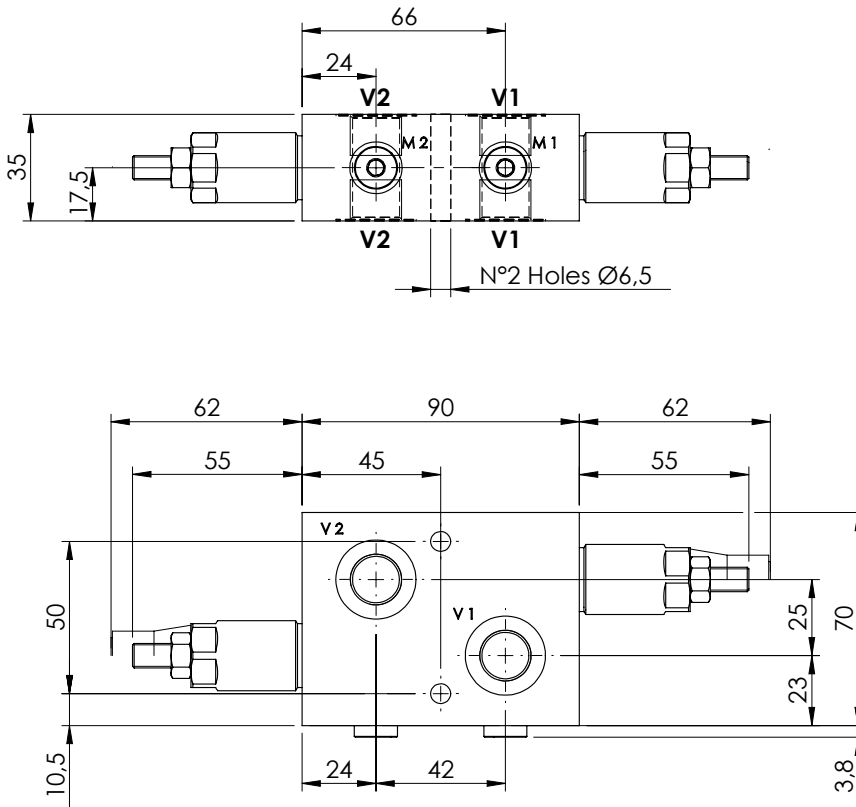


Hydraulic scheme	Valve description	Valve type	Rated flow (l/min)	Max. pressure (bar)	Installation	Main port size or cavity type	Page
	MBSN-100-ZMSF	Single acting for winches, pilot assisted, for SD OMS motor	100	350	Flanged	G 1/2"	8.10. 290
	MBSN-250-AMSF	Single acting for winches, brake release	250	500	Flanged	3/4" SAE 6000	8.11. 300
	MBSN-300-AMSF	Single acting for winches, brake release	300	500	Flanged	1" SAE 6000	8.11. 310
	MBSN-300-AMSF	Single acting for winches, brake release	300	500	Flanged	1-1/4" SAE 6000	8.11. 320
	MBDN-500-AMSF	Double acting for winches, brake release	500	500	Flanged	1-1/4" SAE 6000	8.12. 330

VALVES FOR MOTORS OR HYDRAULIC ACTUATORS

MADN-030-TLNR

DOUBLE ANTISHOCK

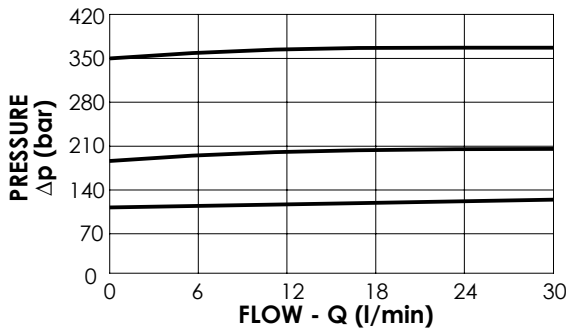
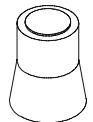


SPECIFICATIONS

Max. operating pressure:	350 bar
Rated flow:	30 l/min
Manifold:	Aluminium
Weight:	0,8 kg

SEALING CAP

Ordering code:
AT000020



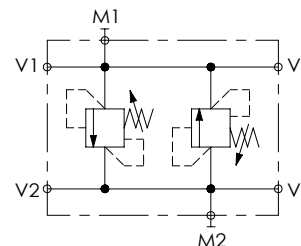
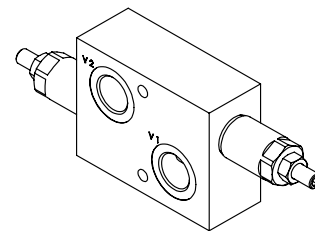
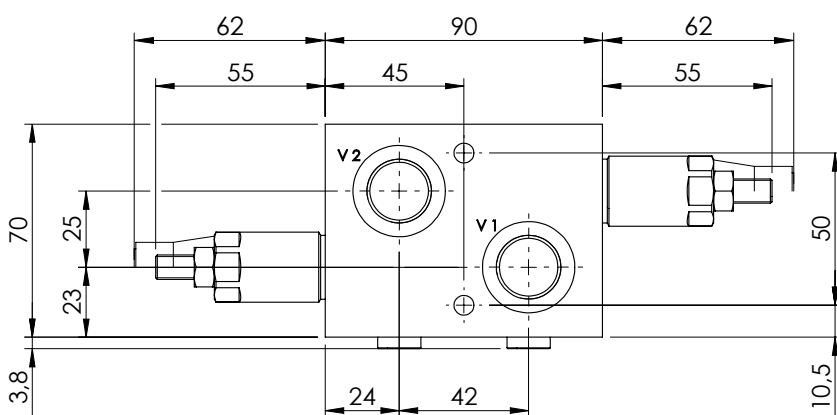
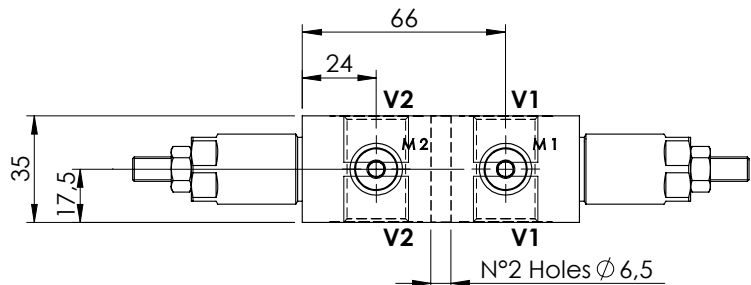
ORDERING CODES

Quick code	Description	Main ports size	Standard setting (bar, Q=5 l/min)	Adjust. range (bar)	Pressure increase (bar/turn)
MA000006	MADN-030-TLNR-HN-G38-N350	V1,V2 : G 3/8" M1,M2 : G1/8"	350	100-350	91
MA000005	MADN-030-TLNR-HN-G38-N200	V1,V2 : G 3/8" M1,M2 : G1/8"	200	50-210	42
MA000004	MADN-030-TLNR-HN-G38-N100	V1,V2 : G 3/8" M1,M2 : G1/8"	100	30-100	20

VALVES FOR MOTORS OR HYDRAULIC ACTUATORS

MADN-030-TLNR

DOUBLE ANTISHOCK

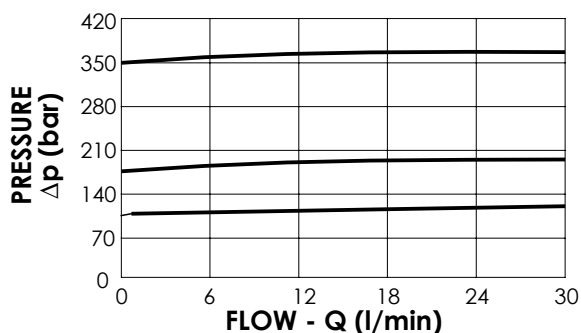
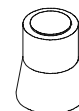


SPECIFICATIONS

Max. operating pressure:	350 bar
Rated flow:	30 l/min
Manifold:	Aluminium
Weight:	0,8 kg

SEALING CAP

Ordering code:
AT000020



ORDERING CODES

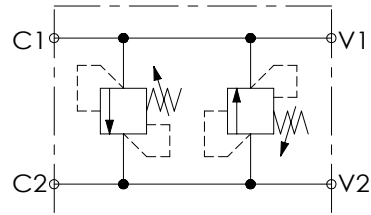
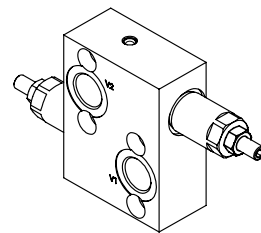
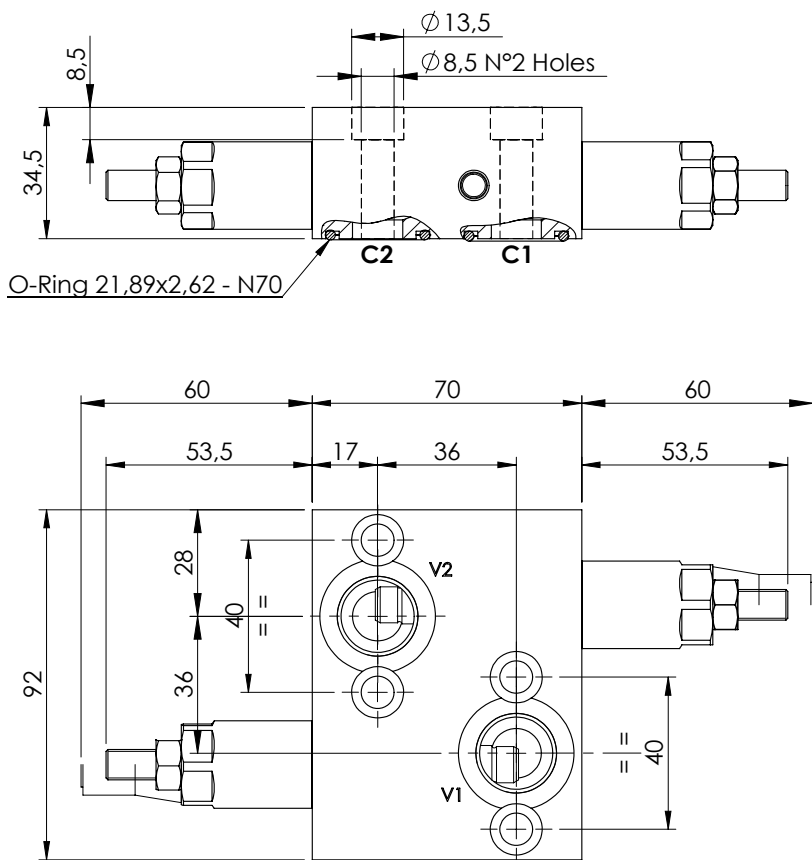
Quick code	Description	Main ports size	Standard setting (bar, Q=5 l/min)	Adjust. range (bar)	Pressure increase (bar/turn)
MA000010	MADN-030-TLNR-HN-G12-N350	V1,V2 : G1/2" M1,M2 : G1/8"	350	100-350	91
MA000007	MADN-030-TLNR-HN-G12-N200	V1,V2 : G1/2" M1,M2 : G1/8"	200	50-210	42
MA000009	MADN-030-TLNR-HN-G12-N100	V1,V2 : G1/2" M1,M2 : G1/8"	100	30-100	20
MA000032	MADN-030-TLNR-HN-G12-N050	V1,V2 : G1/2" M1,M2 : G1/8"	50	10- 50	10

VALVES FOR MOTORS OR HYDRAULIC ACTUATORS



MADN-030-TBNR

DOUBLE ANTISHOCK

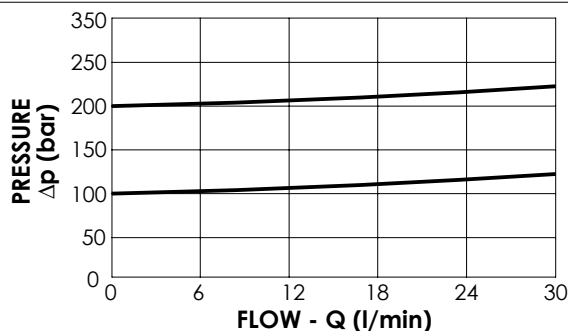
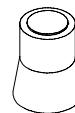


SPECIFICATIONS

Max. operating pressure:	210 bar
Rated flow:	30 l/min
Manifold:	Aluminium
Weight:	0,76 kg

SEALING CAP

Ordering code:
AT000020



NOTES

Setting: at least 1.3 times the load induced pressure
Designed for DANFOSS motors OMP-OMR series.

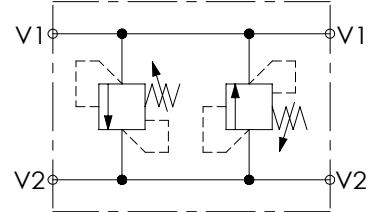
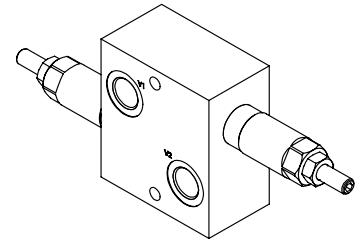
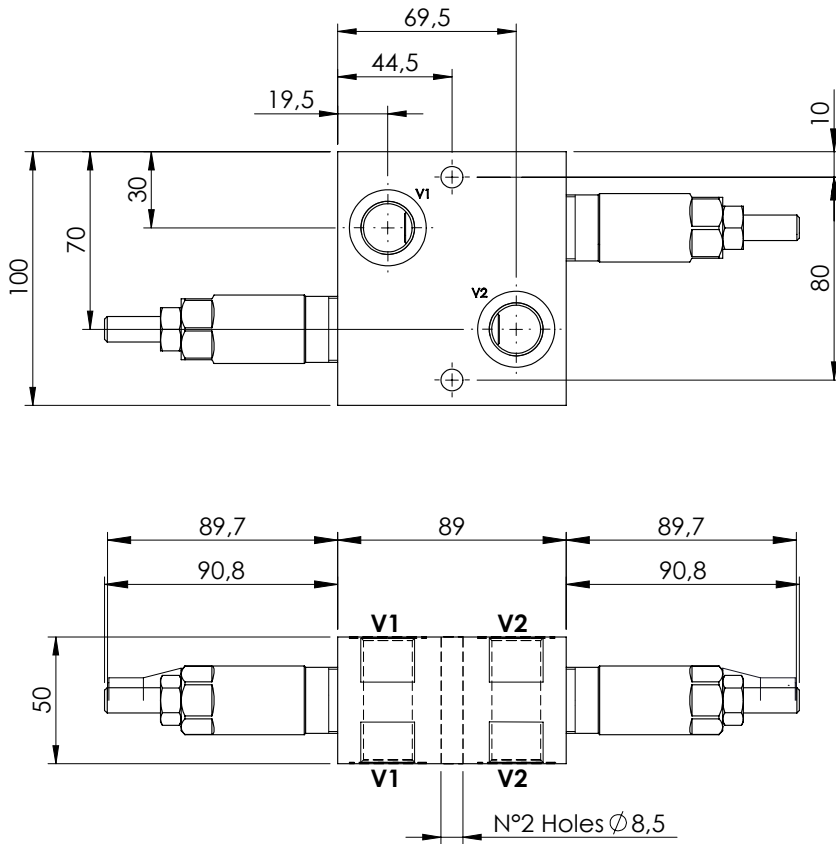
ORDERING CODES

Quick code	Description	Main ports size	Standard setting (bar, Q=5 l/min)	Adjust. range (bar)	Pressure increase (bar/turn)
MA000012	MADN-030-TBNR-HN-G12-N210	V1,V2: G 1/2" C1,C2: $\varnothing 13$	200	50-210	42
MA000022	MADN-030-TBNR-HN-G12-N100	V1,V2: G 1/2" C1,C2: $\varnothing 13$	100	30-100	20

VALVES FOR MOTORS OR HYDRAULIC ACTUATORS

MADN-080-TLNR

DOUBLE ANTISHOCK

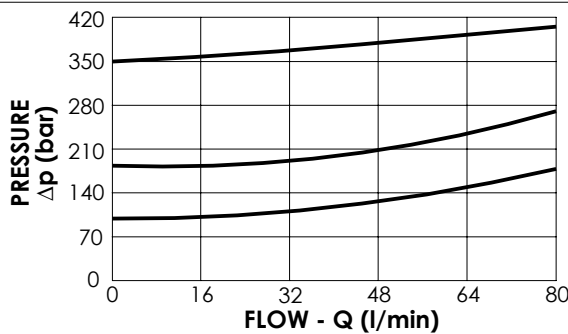
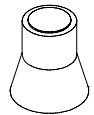


SPECIFICATIONS

Max. operating pressure:	350 bar
Rated flow:	80 l/min
Manifold:	Aluminium
Weight:	1,62 kg

SEALING CAP

Ordering code:
AT000021



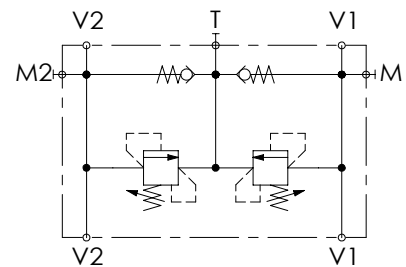
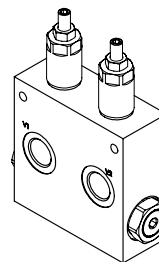
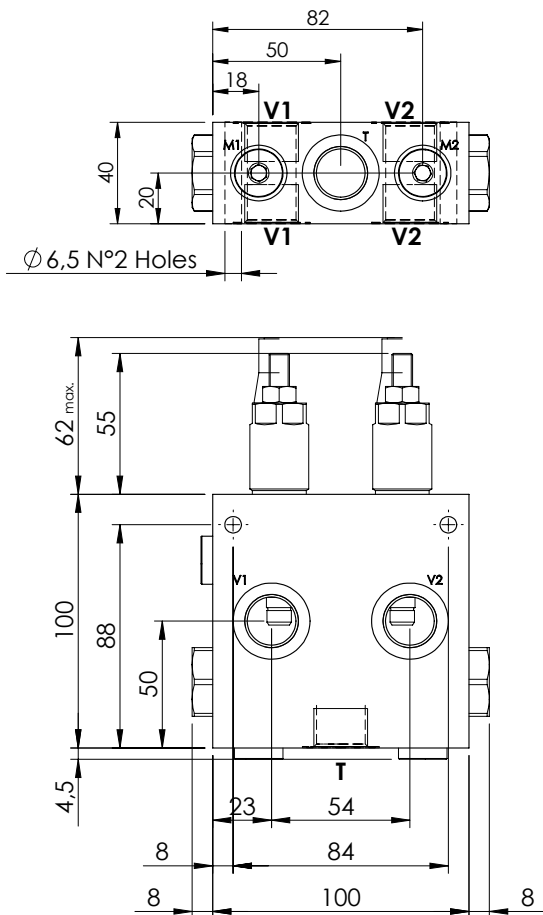
ORDERING CODES

Quick code	Description	Main ports size	Standard setting (bar, Q=5 l/min)	Adjust. range (bar)	Pressure increase (bar/turn)
MA000026	MADN-080-TLNR-HN-G12-N350	V1,V2 : G 1/2"	350	100-350	42
MA000025	MADN-080-TLNR-HN-G12-N200	V1,V2 : G 1/2"	200	60-210	24
MA000021	MADN-080-TLNR-HN-G12-N100	V1,V2 : G 1/2"	100	25-100	13

VALVES FOR MOTORS OR HYDRAULIC ACTUATORS

MADN-040-LLNR

**DUAL CROSS OVER
ANTICAVITATION RELIEF**

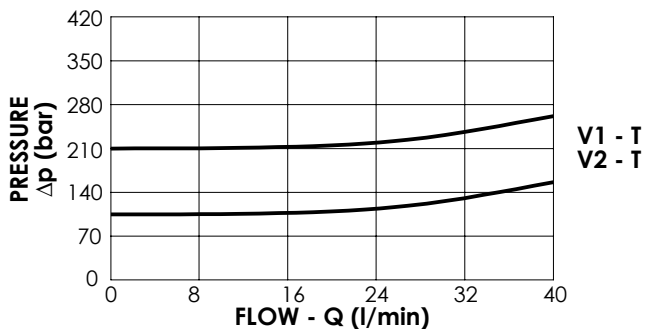
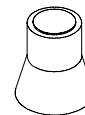


SPECIFICATIONS

Max. operating pressure:	210 bar
Rated flow:	40 l/min
Manifold:	Aluminium
Weight:	1,37 kg

SEALING CAP

Ordering code:
AT000020



NOTES

Setting: at least 1.3 times the load induced pressure

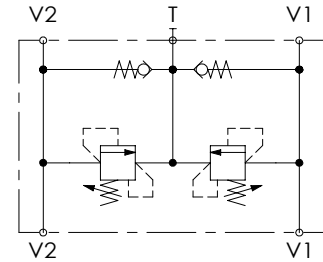
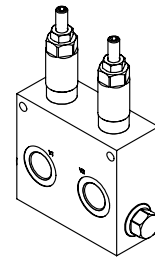
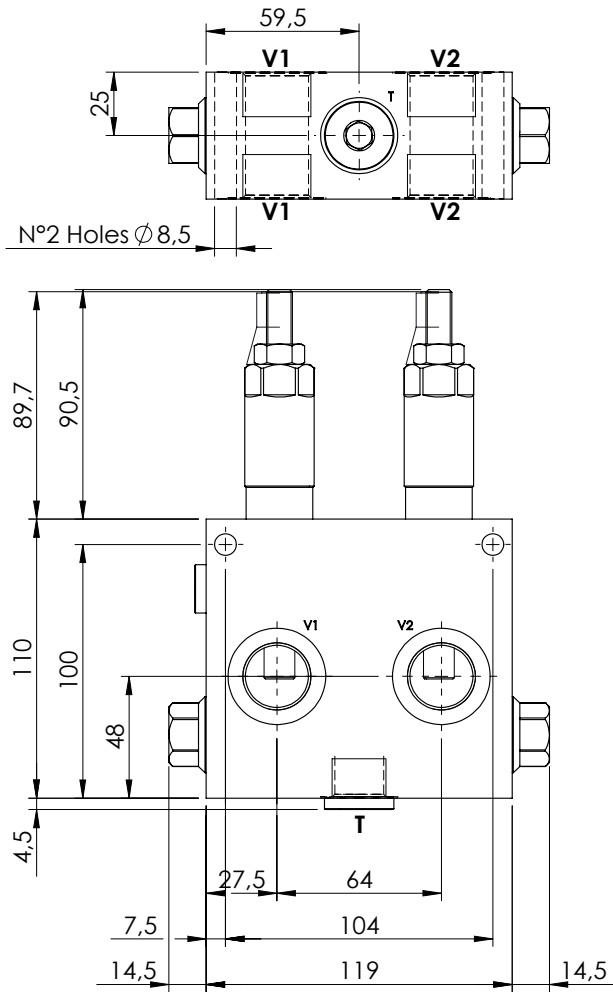
ORDERING CODES

Quick code	Description	Main ports size	Standard setting (bar, Q=5 l/min)	Adjust. range (bar)	Pressure increase (bar/turn)
MA000054	MADN-040-LLNR-HN-G12-N200	V1,V2,T: G1/2" M1,M2: G1/4"	200	50-210	42
MA000055	MADN-040-LLNR-HN-G12-N100	V1,V2,T: G1/2" M1,M2: G1/4"	100	30-100	20

VALVES FOR MOTORS OR HYDRAULIC ACTUATORS

MADN-080-LLNR

DUAL CROSS OVER
ANTICAVITATION RELIEF

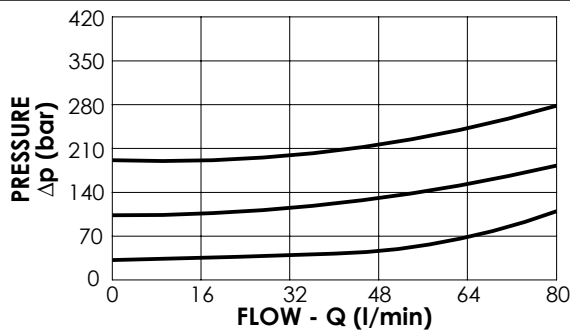
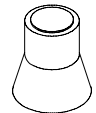


SPECIFICATIONS

Max. operating pressure:	250 bar
Rated flow:	80 l/min
Manifold:	Aluminium
Weight:	2,28 kg

SEALING CAP

Ordering code:
AT000021



V1 - T
V2 - T

NOTES

Setting: at least 1.3 times the load induced pressure

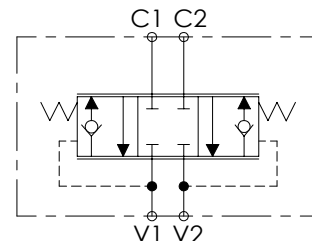
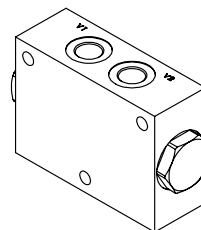
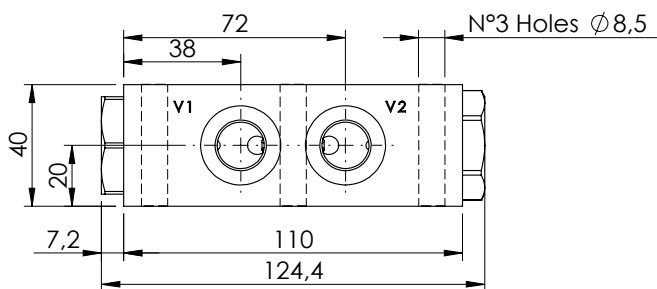
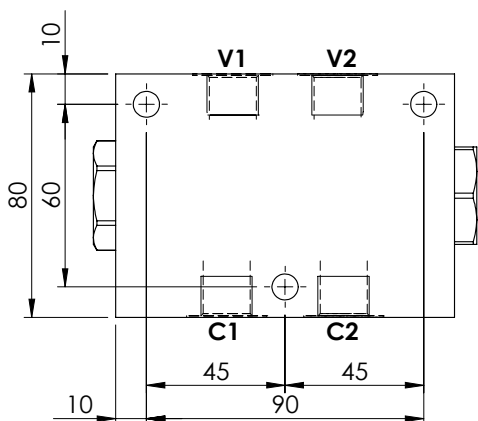
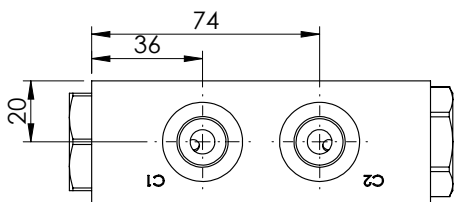
ORDERING CODES

Quick code	Description	Main ports size	Standard setting (bar, Q=5 l/min)	Adjust. range (bar)	Pressure increase (bar/turn)
MA000018	MADN-080-LLNR-HN-G34-N200	V1,V2: G3/4" T: G1/2"	200	60-210	24
MA000023	MADN-080-LLNR-HN-G34-N100	V1,V2: G3/4" T: G1/2"	100	25-100	13
MA000024	MADN-080-LLNR-HN-G34-N050	V1,V2: G3/4" T: G1/2"	50	5-50	9

VALVES FOR MOTORS

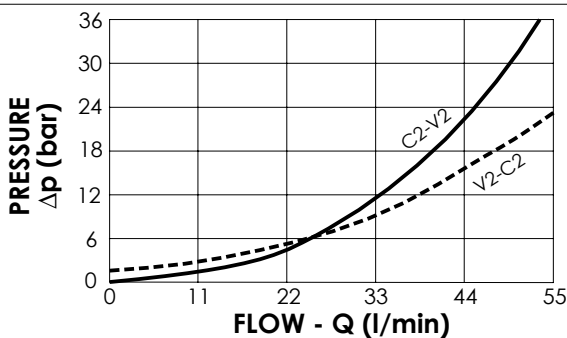
MBDN-055-GLNR

COUNTERBALANCE



SPECIFICATIONS

Max. operating pressure:	350 bar
Rated flow:	55 l/min
Manifold:	Cast iron
Weight:	2,53 kg



NOTES

Designed for traction control of small undercarriages

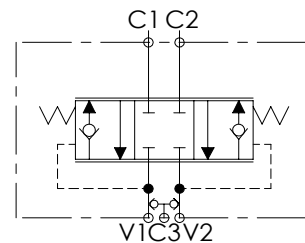
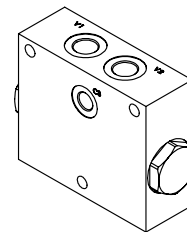
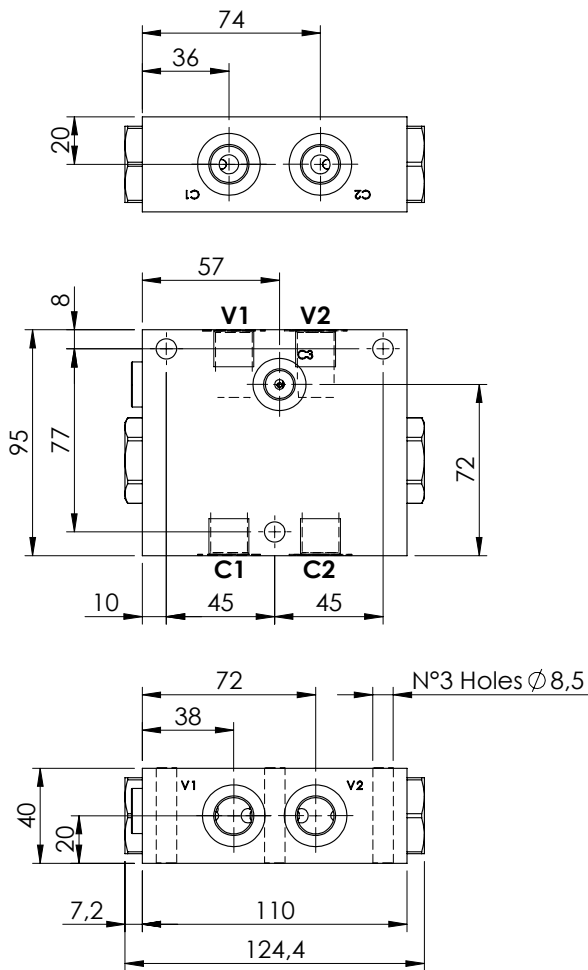
ORDERING CODES

Quick code	Description	Main ports size	Standard setting (bar, Q=5 l/min)	Adjust. range (bar)	Pressure increase (bar/turn)
MB000112	MBDN-055-GLNR-01-G38-N006	V1,V2,C1,C2 : G3/8"	6	Fixed setting	NO

VALVES FOR MOTORS

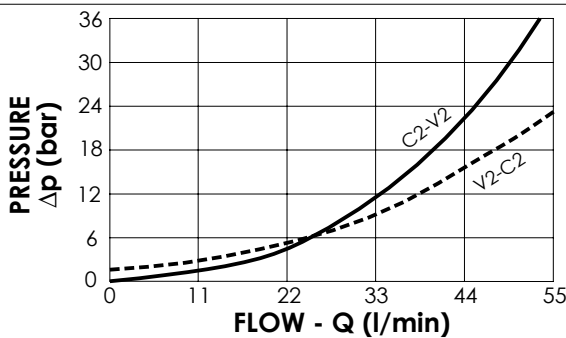
MBDN-055-GLSF

**COUNTERBALANCE
WITH BRAKE RELEASE**



SPECIFICATIONS

Max. operating pressure:	350 bar
Rated flow:	55 l/min
Manifold:	Cast iron
Weight:	3,08 kg



NOTES

Setting: at least 1.3 times the load induced pressure
Designed for traction control of small undercarriages

ORDERING CODES

Quick code	Description	Main ports size	Standard setting (bar, Q=5 l/min)	Adjust. range (bar)	Pressure increase (bar/turn)
MB000232	MBDN-055-GLSF-01-G38-N006	V1,V2,C1,C2 : G3/8" C3 : G1/4"	6	Fixed setting	NO

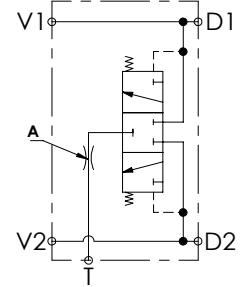
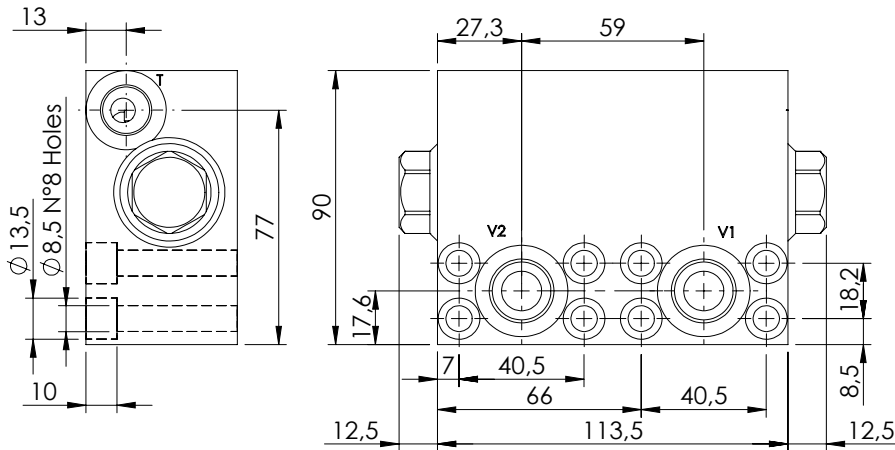
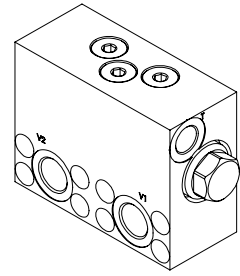
VALVES FOR MOTORS

MFLN-150-RFSR

FLUSHING VALVE
FLANGEABLE TYPE

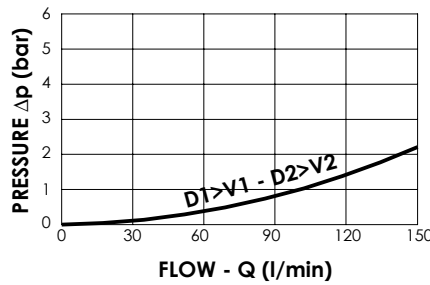
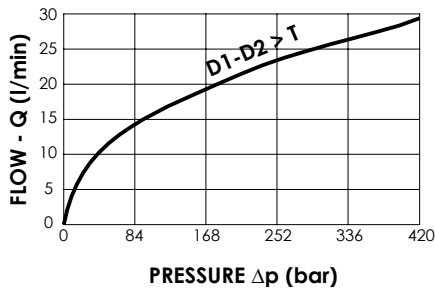


O-Ring 18,64x3,53 - N70



SPECIFICATIONS

Max. operating pressure:	420 bar
Rated flow:	150 l/min
Manifold:	Steel
Weight:	3,38 kg



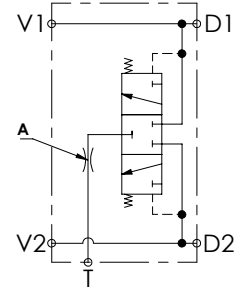
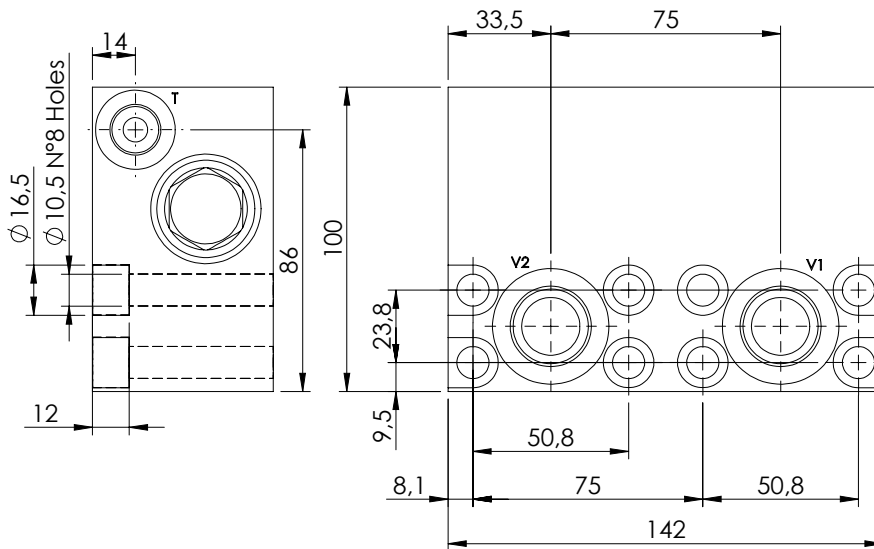
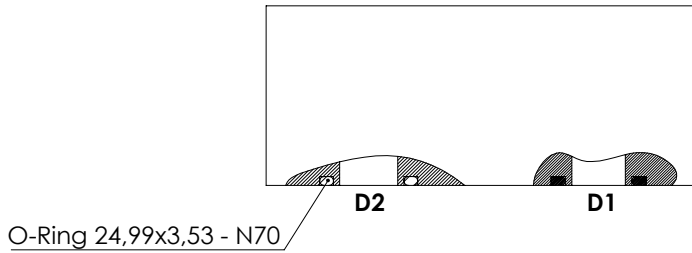
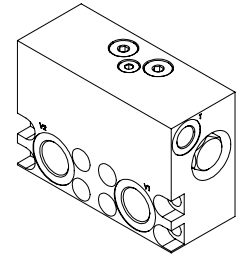
ORDERING CODES

Quick code	Description	Main ports size	Spool setting (bar)	A Orifice Ø	
MF000111	MFLN-150-RFSR-08-S12-N420	V1,V2:G1/2" D1,D2:1/2"SAE 6000 T: G3/8"	6	1,7	

VALVES FOR MOTORS

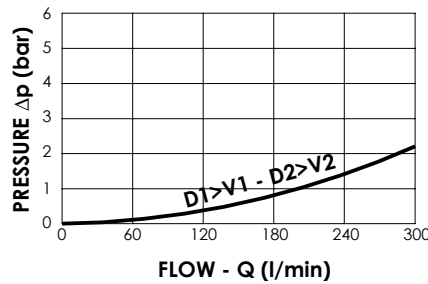
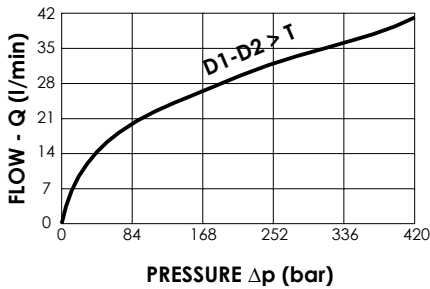
MFLN-300-RFSR

FLUSHING VALVE
FLANGEABLE TYPE



SPECIFICATIONS

Max. operating pressure:	420 bar
Rated flow:	200 l/min
Manifold:	Steel
Weight:	3,38 kg



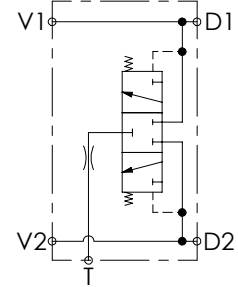
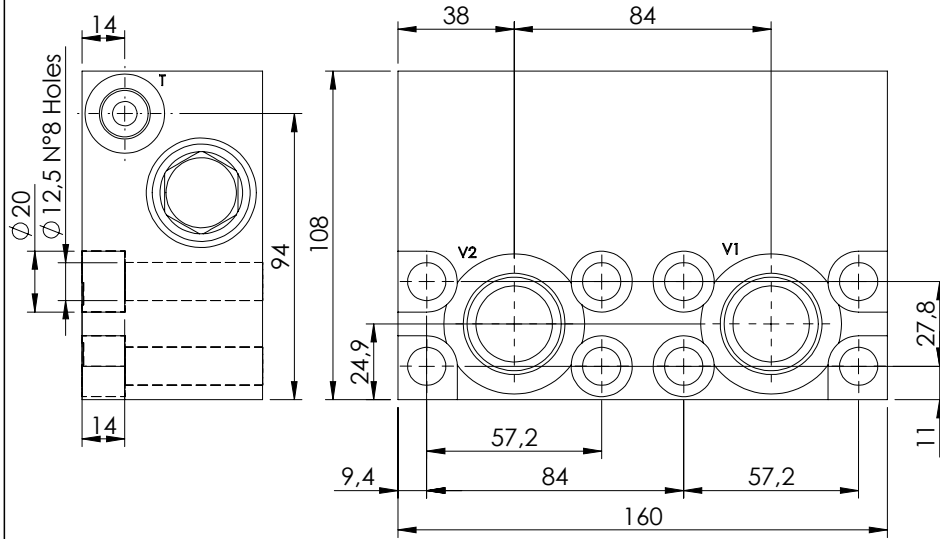
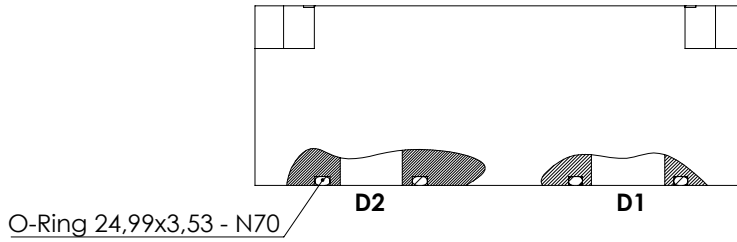
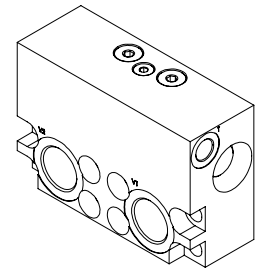
ORDERING CODES

Quick code	Description	Main ports size	Spool setting (bar)	A Orifice Ø	
MF000110	MFLN-200-RFSR-09-S34-N420	V1,V2:G3/4" D1,D2:3/4"SAE 6000 T: G3/8"	6	1,9	

VALVES FOR MOTORS

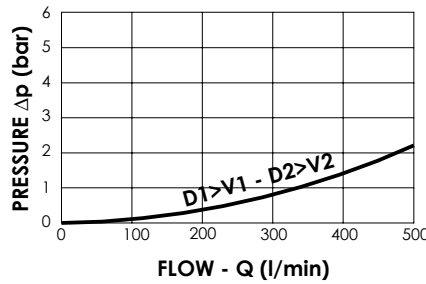
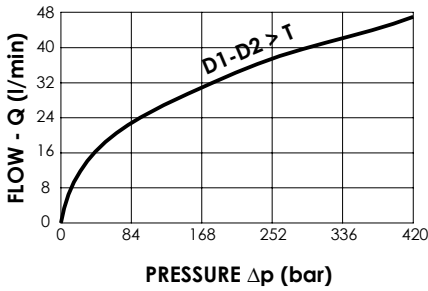
MFLN-500-RFSR

FLUSHING VALVE
FLANGEABLE TYPE



SPECIFICATIONS

Max. operating pressure:	420 bar
Rated flow:	500 l/min
Manifold:	Steel
Weight:	3,38 kg

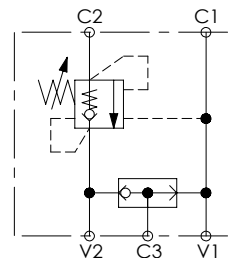
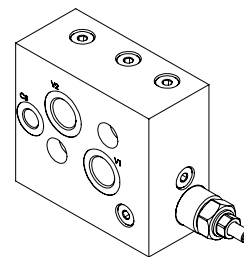
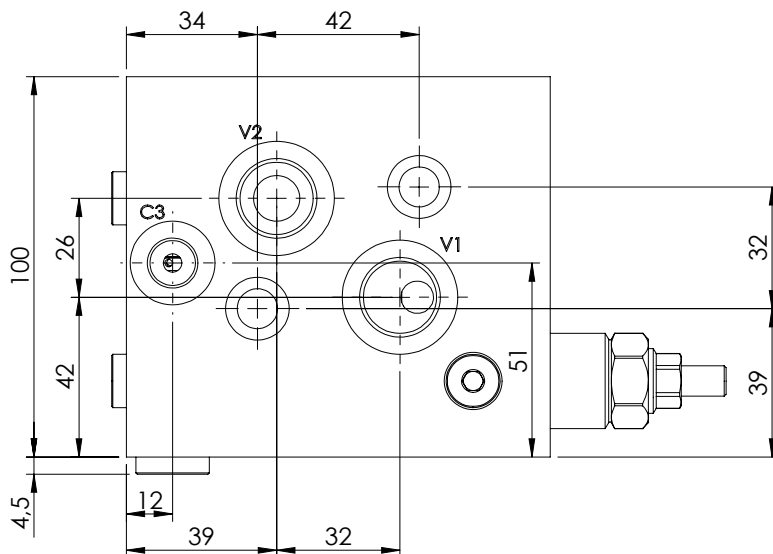


ORDERING CODES

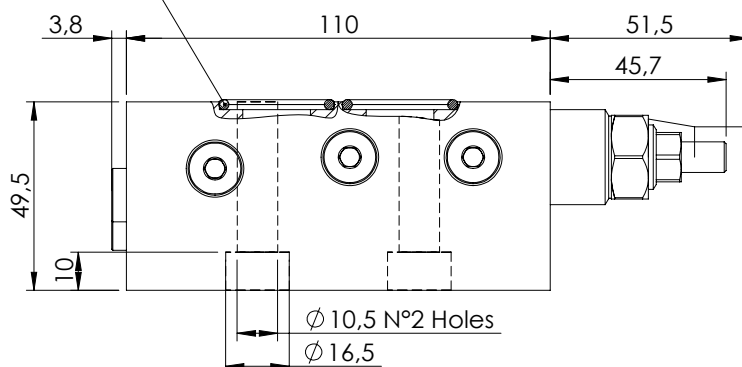
Quick code	Description	Main ports size	Spool setting (bar)	A Orifice \varnothing	
MF000109	MFLN-500-RFSR-13-S10-N420	V1,V2: G1" D1,D2: 1" SAE 6000 T: G3/8"	6	2,1	

MBSN-060-ZMSF

**OVERCENTRE
WITH BRAKE RELEASE**



O-Ring 25,07x2,62-N70

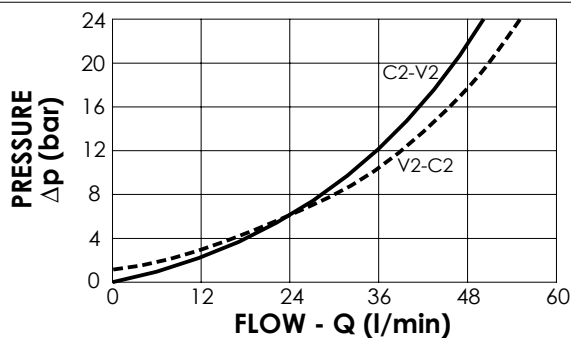
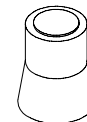


SPECIFICATIONS

Max. operating pressure:	350 bar
Rated flow:	60 l/min
Manifold:	Aluminium
Weight:	1,5 kg

SEALING CAP

Ordering code:
AT000020



NOTES

Setting: at least 1.3 times the load induced pressure

Designed for DANFOSS motors OMS series

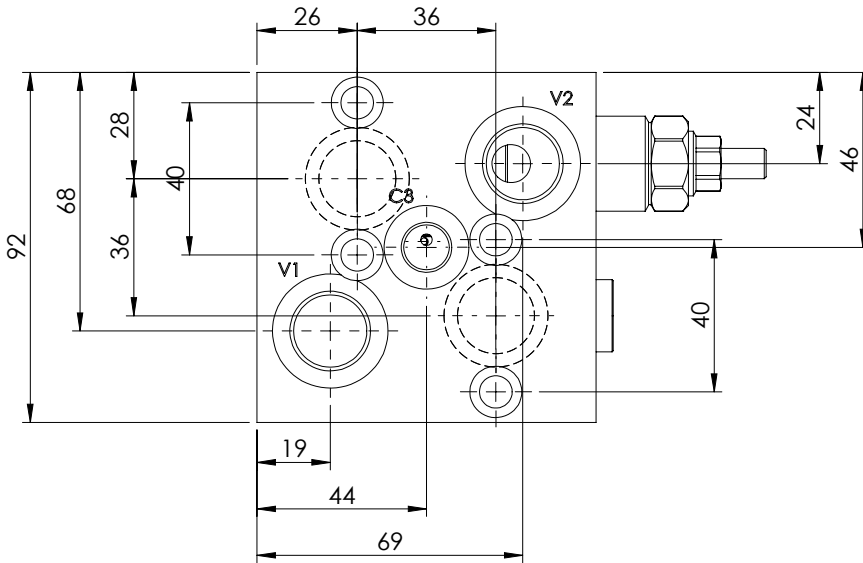
ORDERING CODES

Quick code	Description	Pilot ratio	Main ports size	Standard setting (bar, Q=5 l/min)	Adjust. range (bar)	Pressure increase (bar/turn)
MB001036	MBSN-060-ZMSF-04-G12-N350-NOMS	4,2:1	V1, V2: G1/2" C1, C2: OMS flange C3: G 1/4"	350	100-350	139
MB001058	MBSN-060-ZMSF-04-G12-N200-NOMS	4,2:1	V1, V2: G1/2" C1, C2: OMS flange C3: G 1/4"	200	60-210	62

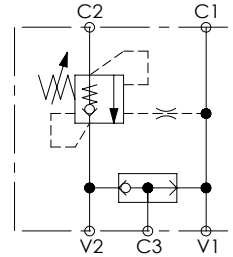
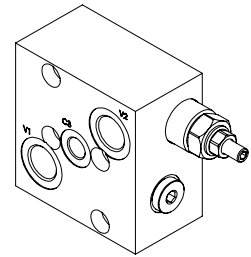
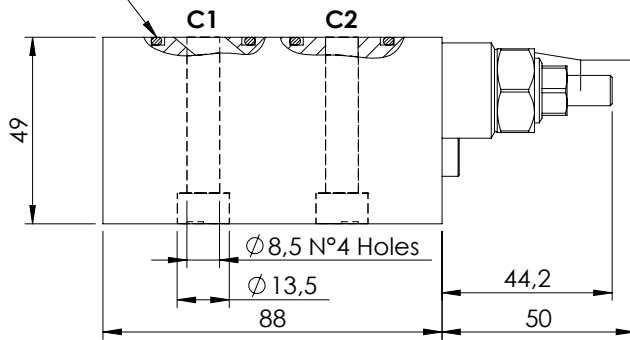
VALVES FOR MOTORS

MBSN-060-ZMSF

**OVERCENTRE
WITH BRAKE RELEASE**



O-Ring 21,89x2,62 - N70

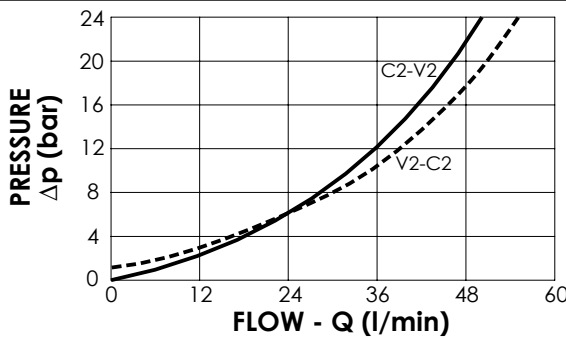
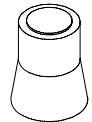


SPECIFICATIONS

Max. operating pressure:	350 bar
Rated flow:	60 l/min
Manifold:	Aluminium
Weight:	1,09 kg

SEALING CAP

Ordering code:
AT000020



NOTES

Setting: at least 1.3 times the load induced pressure

Designed for DANFOSS motors OMP-OMR series

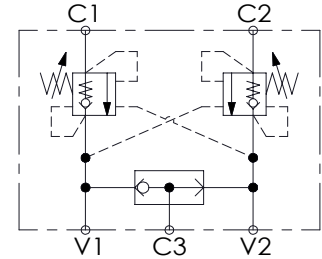
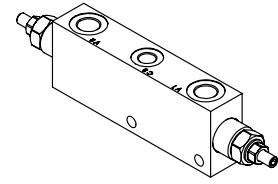
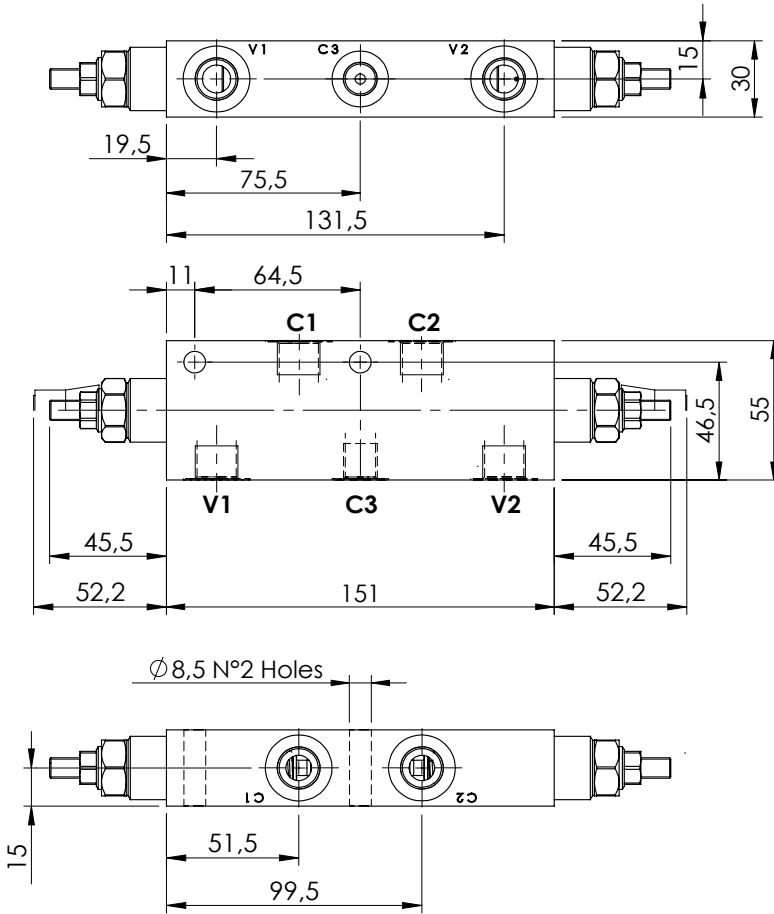
ORDERING CODES

Quick code	Description	Pilot ratio	Main ports size	Standard setting (bar, Q=5 l/min)	Adjust. range (bar)	Pressure increase (bar/turn)
MB000796	MBSN-060-ZMSF-04-G12-N350-NOMP	4,2:1	V1,V2: G1/2" C1,C2: OMP flange C3: G 1/4"	350	100-350	139
MB000795	MBSN-060-ZMSF-04-G12-N200-NOMP	4,2:1	V1,V2: G1/2" C1,C2: OMP flange C3: G 1/4"	200	60-210	62

VALVES FOR MOTORS

MBDN-060-ALSF

**DOUBLE ACTING WITH
BRAKE RELEASE**

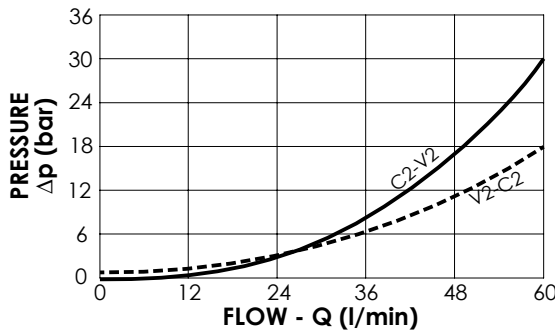
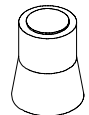


SPECIFICATIONS

Max. operating pressure:	350 bar
Rated flow:	60 l/min
Manifold:	Steel
Weight:	1,89 kg

SEALING CAP

Ordering code:
AT000020



NOTES

Setting: at least 1.3 times the load induced pressure

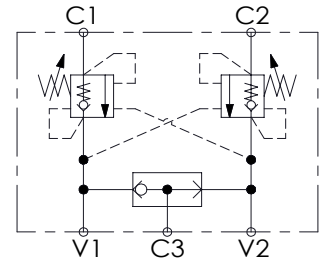
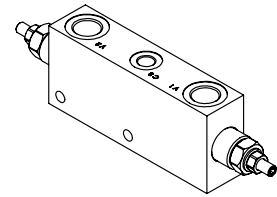
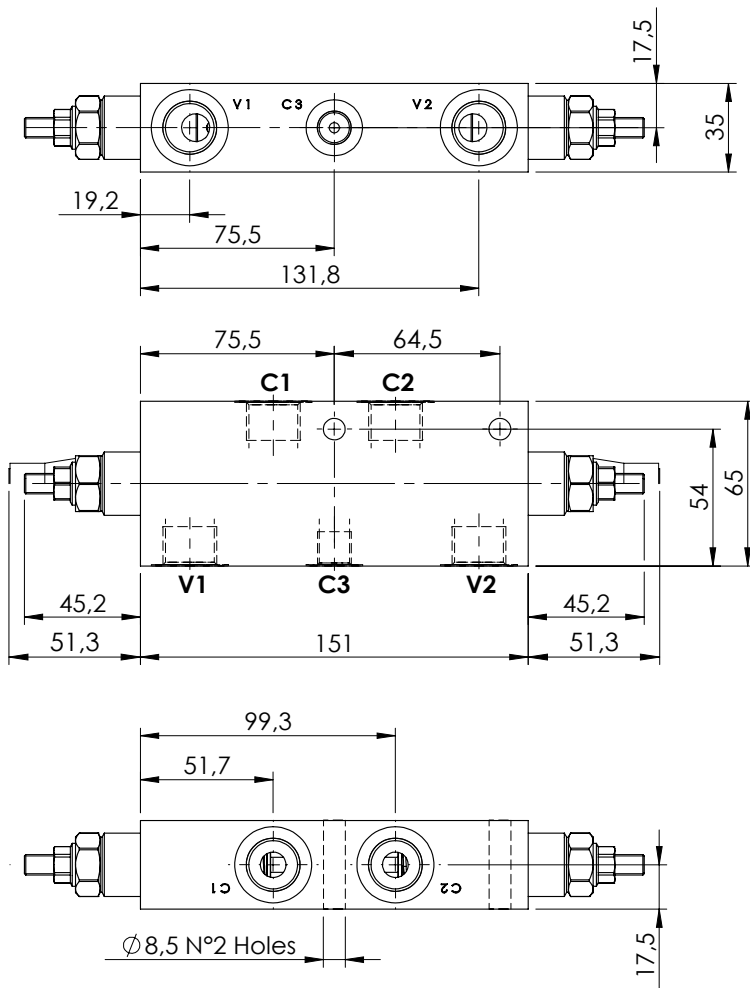
ORDERING CODES

Quick code	Description	Pilot ratio	Main ports size	Standard setting (bar, Q=5 l/min)	Adjust. range (bar)	Pressure increase (bar/turn)
MB000528	MBDN-060-ALSF-04-G38-N350	4,2:1	V1,V2: G3/8" C1,C2: G3/8" C3:G1/4"	350	100-350	138
MB000529	MBDN-060-ALSF-04-G38-N200	4,2:1	V1,V2: G3/8" C1,C2: G3/8" C3:G1/4"	200	60-210	62
MB000704	MBDN-060-ALSF-11-G38-N250	11:1	V1,V2: G3/8" C1,C2: G3/8" C3:G1/4"	250	60-250	56

VALVES FOR MOTORS

MBDN-060-ALSF

DOUBLE ACTING WITH
BRAKE RELEASE

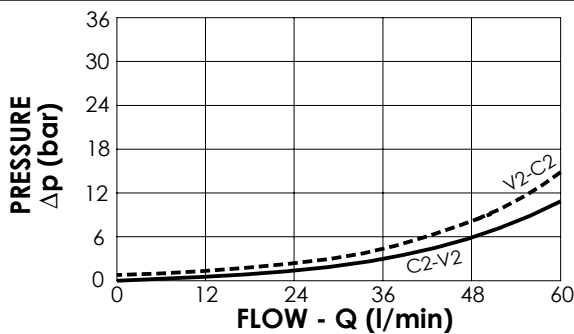
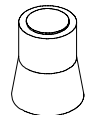


SPECIFICATIONS

Max. operating pressure:	350 bar
Rated flow:	60 l/min
Manifold:	Steel
Weight:	2,53 kg

SEALING CAP

Ordering code:
AT000020



NOTES

Setting: at least 1.3 times the load induced pressure

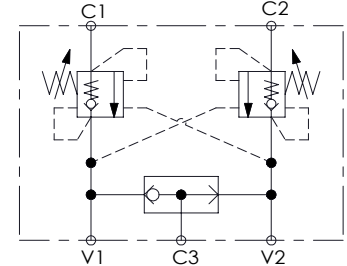
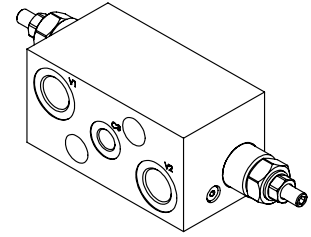
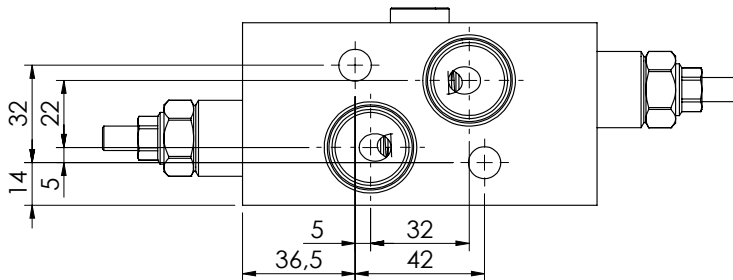
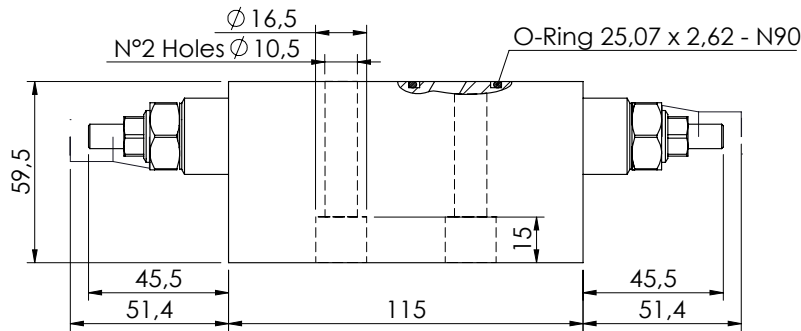
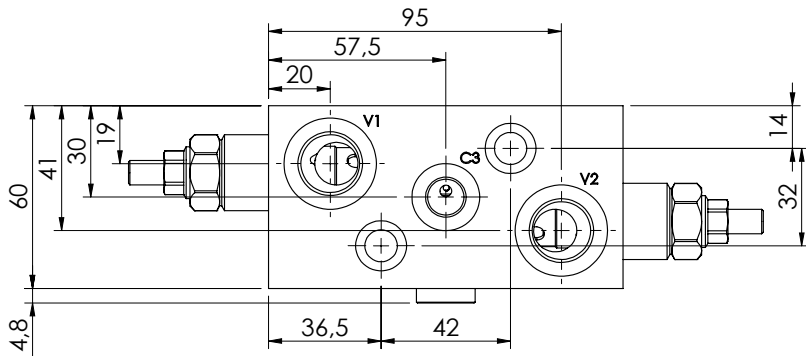
ORDERING CODES

Quick code	Description	Pilot ratio	Main ports size	Standard setting (bar, Q=5 l/min)	Adjust. range (bar)	Pressure increase (bar/turn)
MB000021	MBDN-060-ALSF-11-G12-N350	11:1	V1,V2: G1/2" C1,C2: G1/2" C3:G1/4"	350	100-350	161
MB000465	MBDN-060-ALSF-11-G12-N250	11:1	V1,V2: G1/2" C1,C2: G1/2" C3:G1/4"	250	60-250	69
MB000466	MBDN-060-ALSF-04-G12-N350	4,2:1	V1,V2: G1/2" C1,C2: G1/2" C3:G1/4"	350	100-350	139
MB000363	MBDN-060-ALSF-04-G12-N200	4,2:1	V1,V2: G1/2" C1,C2: G1/2" C3:G1/4"	200	60-210	62

VALVES FOR MOTORS

MBDN-060-ZMSF

DOUBLE ACTING WITH BRAKE RELEASE

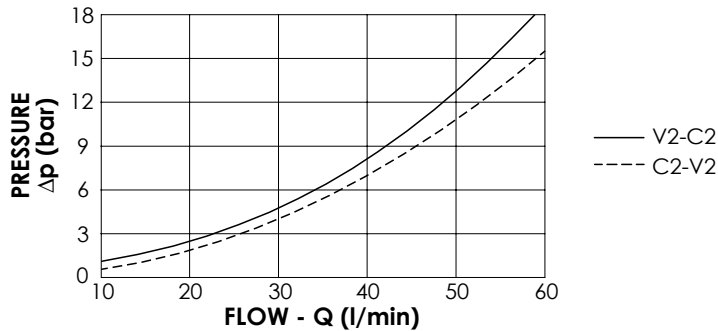
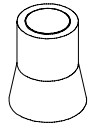


SPECIFICATIONS

Max. operating pressure:	250 bar
Rated flow:	60 l/min
Manifold:	Aluminium
Weight:	1,25 kg

SEALING CAP

Ordering code:
AT000020



NOTES

Designed for OMS motors

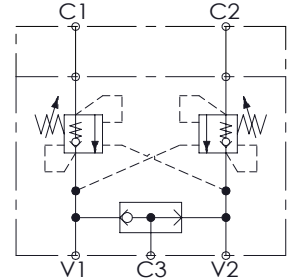
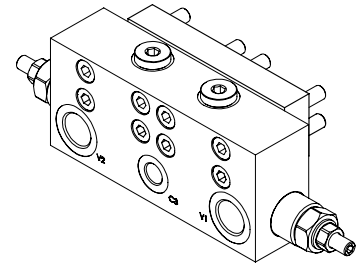
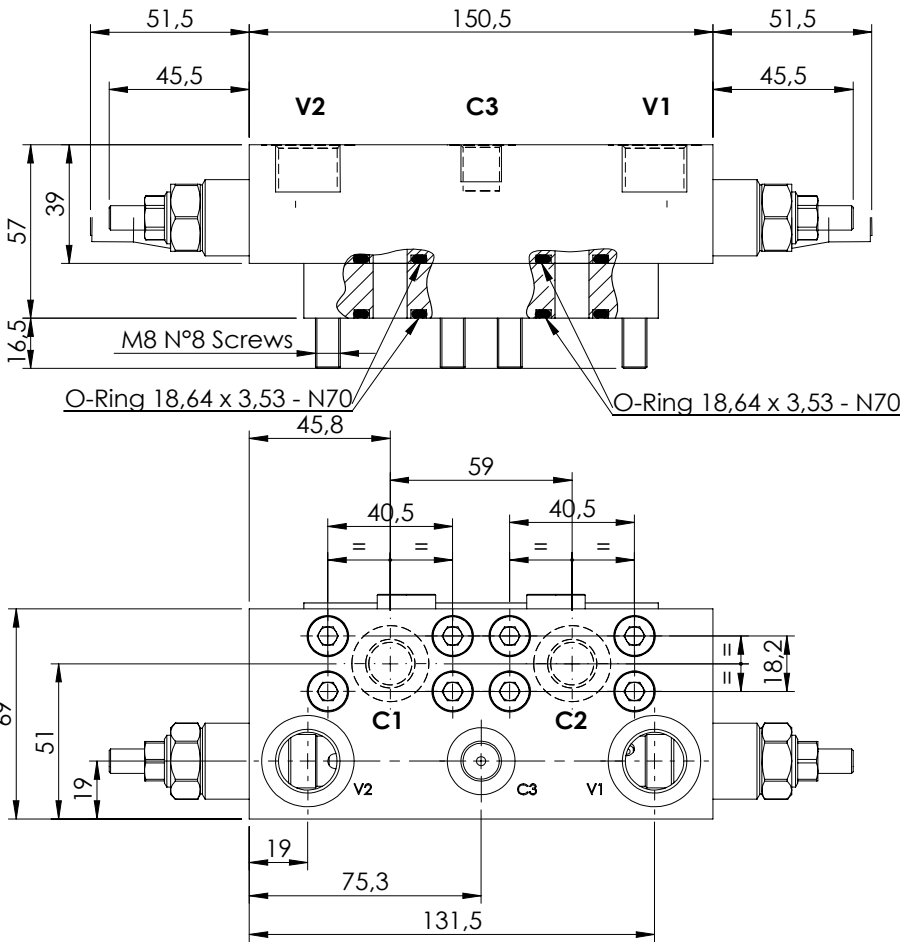
ORDERING CODES

Quick code	Description	Pilot ratio	Main ports size	Standard setting (bar, Q=5 l/min)	Adjust. range (bar)	Pressure increase (bar/turn)
MB000908	MBDN-060-LMSF-11-G12-N250	11:1	V1,V2: G1/2" C1,C2:Ø9 C3:G1/4"	250	100-420	69

VALVES FOR MOTORS

MBDN-060-ZMNR

**OVERCENTRE
WITH BRAKE RELEASE**

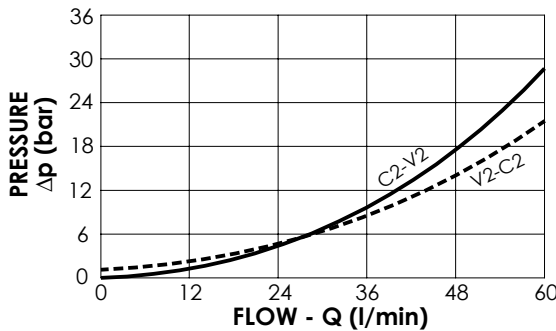
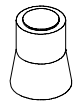


SPECIFICATIONS

Max. operating pressure:	250 bar
Rated flow:	60 l/min
Manifold:	Anodized Aluminium
Weight:	2 kg

SEALING CAP

Ordering code:
AT000020



NOTES

Setting: at least 1.3 times the load induced pressure

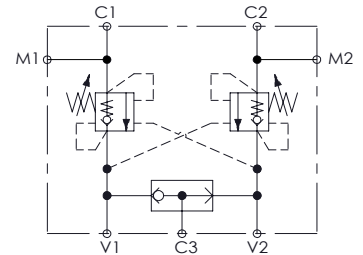
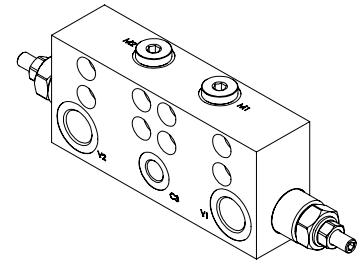
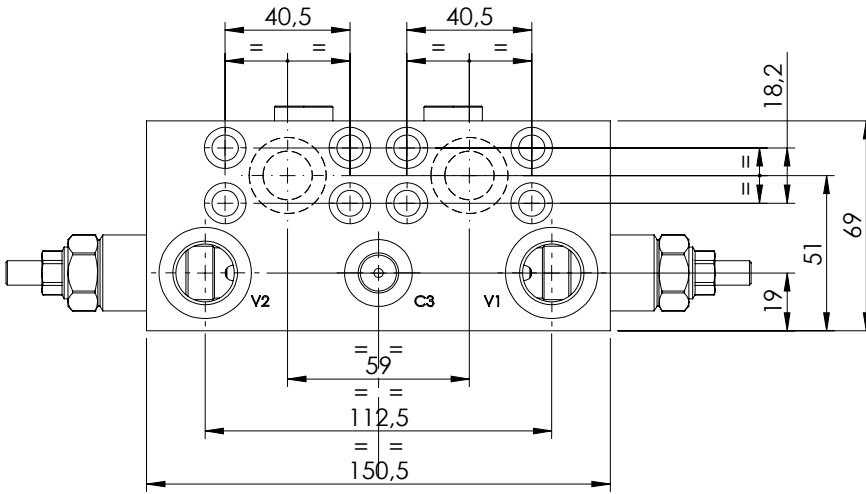
ORDERING CODES

Quick code	Description	Pilot ratio	Main ports size	Standard setting (bar, Q=5 l/min)	Adjust. range (bar)	Pressure increase (bar/turn)
MB000195	MBDN-060-ZMNR-11-G12-N250	11:1	V1,V2: G 1/2" C3: G 1/4" C1,C2: 1/2" SAE 6000	250	60-250	69

VALVES FOR MOTORS

MBDN-060-ABSF

**DOUBLE ACTING WITH
BRAKE RELEASE**

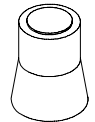


SPECIFICATIONS

Max. operating pressure:	350 bar
Rated flow:	60 l/min
Manifold:	Steel
Weight:	2,91 kg

SEALING CAP

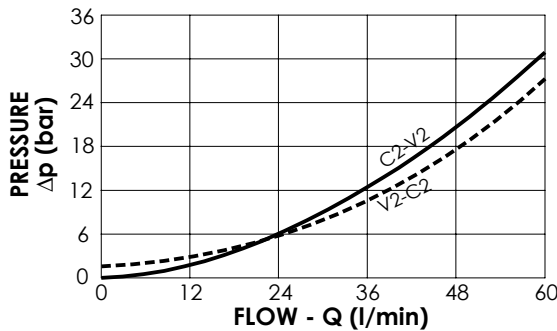
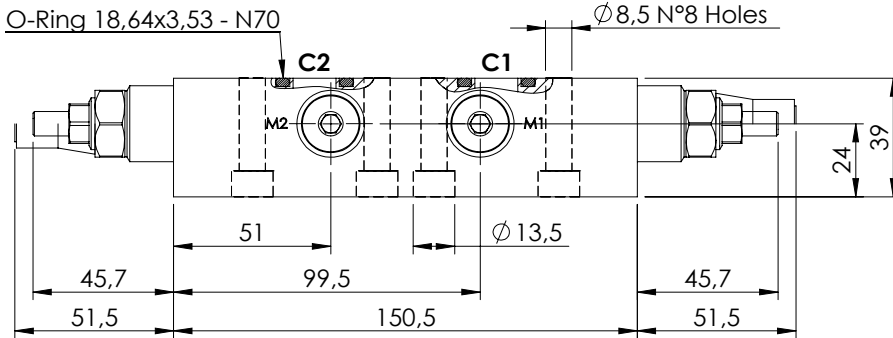
Ordering code:
AT000020



NOTES

Setting: at least 1.3 times the load induced pressure

Designed for REXROTH motors
A2FE-28-32 series



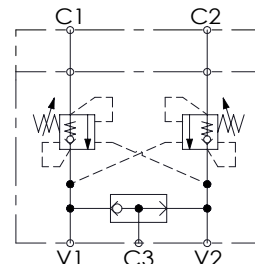
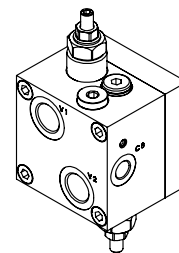
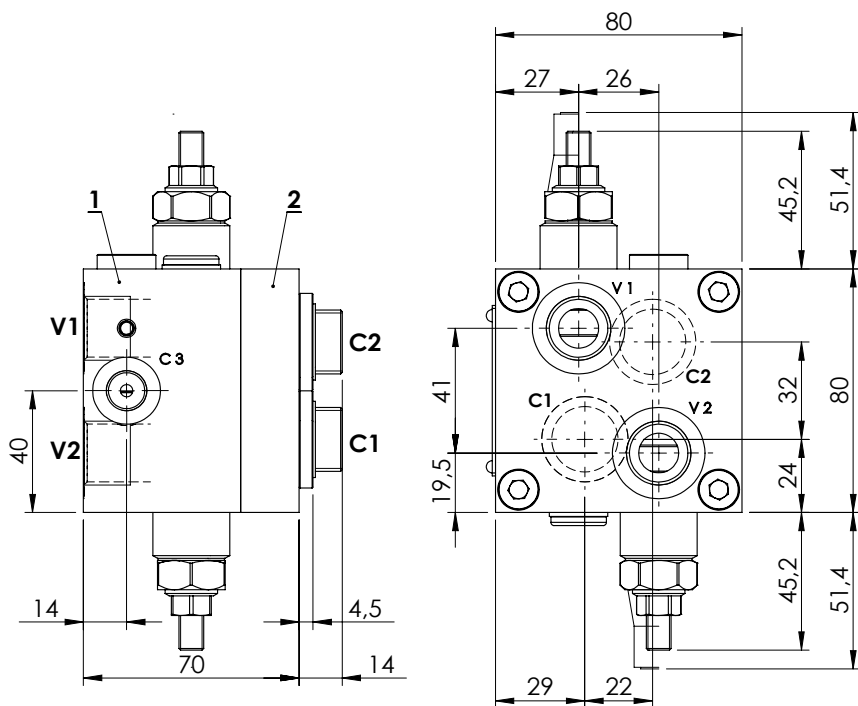
ORDERING CODES

Quick code	Description	Pilot ratio	Main ports size	Standard setting (bar, Q=5 l/min)	Adjust. range (bar)	Pressure increase (bar/turn)
MB000868	MBDN-060-ABSF-04-G12-N350	4:1	V1, V2: G1/2" C3, M1, M2: G1/4" C1, C2: Ø14	170	100-350	139

VALVES FOR MOTORS

MBDN-060-LMSF

**OVERCENTRE
WITH BRAKE RELEASE**

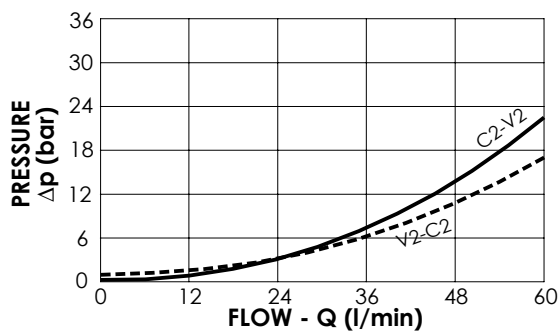
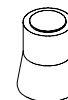


SPECIFICATIONS

Max. operating pressure:	250 bar
Rated flow:	60 l/min
Manifold:	Anodized Aluminium
Weight:	2,07 kg

SEALING CAP

Ordering code:
AT000020



NOTES

Setting: at least 1.3 times the load induced pressure

Designed for OMS motors

Valve composed by:
1.MB000520
2.MP000012

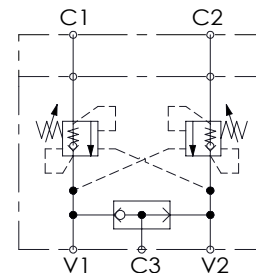
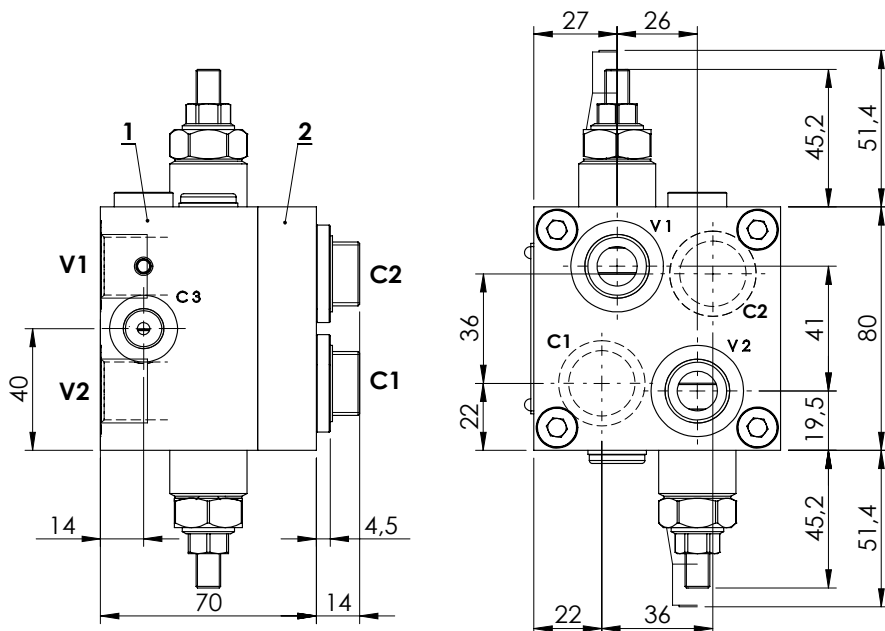
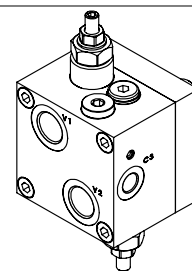
ORDERING CODES

Quick code	Description	Pilot ratio	Main ports size	Standard setting (bar, Q=5 l/min)	Adjust. range (bar)	Pressure increase (bar/turn)
MB000036	MBDN-060-LMSF-04-G12-N200-NOMS	4,2:1	V1,V2: G 1/2" C1,C2: OMS flange C3: G 1/4"	200	60-210	62

VALVES FOR MOTORS

MBDN-060-LMSF

**OVERCENTRE
WITH BRAKE RELEASE**

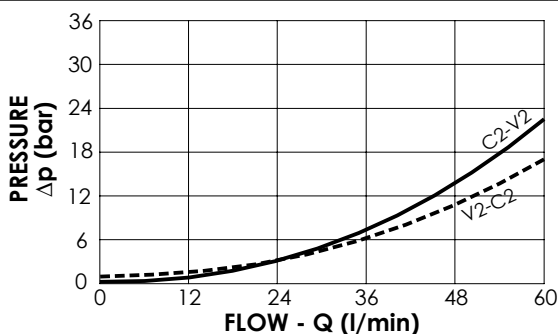


SPECIFICATIONS

Max. operating pressure:	250 bar
Rated flow:	60 l/min
Manifold:	Anodized Aluminium
Weight:	2,07 kg

SEALING CAP

Ordering code:
AT000020



NOTES

Setting: at least 1.3 times the load induced pressure

Designed for OMP motors

Valve composed by:
1.MB000520
2.MP000013

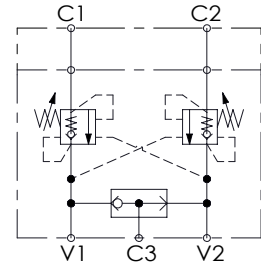
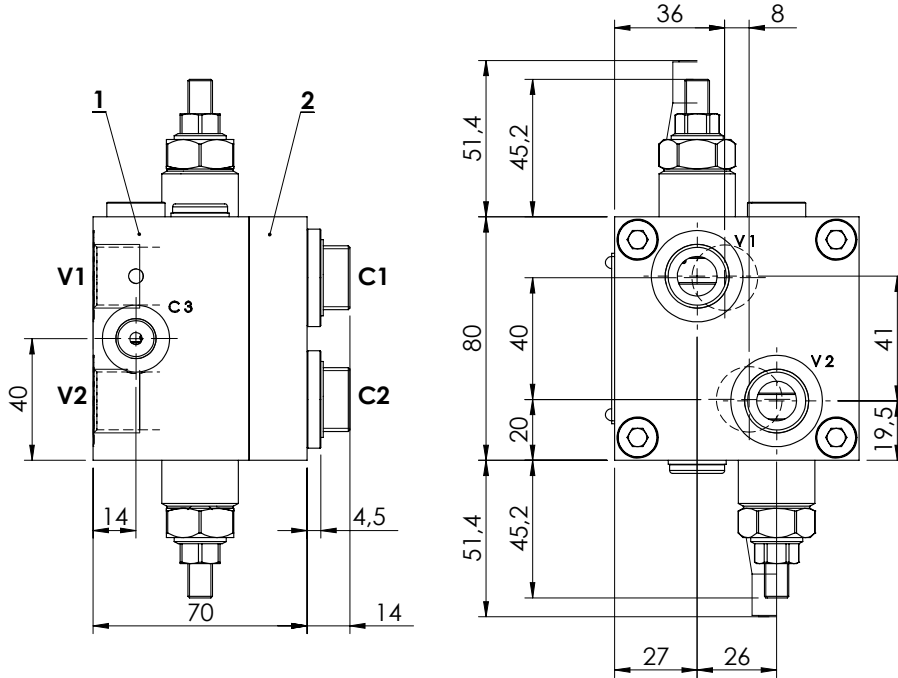
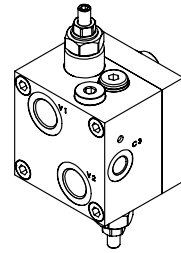
ORDERING CODES

Quick code	Description	Pilot ratio	Main ports size	Standard setting (bar, Q=5 l/min)	Adjust. range (bar)	Pressure increase (bar/turn)
MB000208	MBDN-060-LMSF-04-G12-N200-NOMP	4,2:1	V1,V2: G 1/2" C1,C2: OMP flange C3: G1/4"	200	60-210	62

VALVES FOR MOTORS

MBDN-060-AMSF

**OVERCENTRE
WITH BRAKE RELEASE**

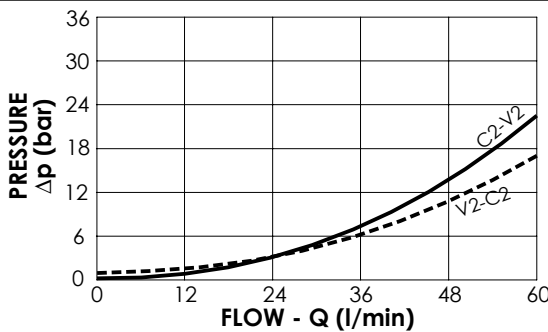
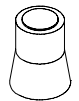


SPECIFICATIONS

Max. operating pressure:	350 bar
Rated flow:	60 l/min
Manifold:	Steel
Weight:	3,44 kg

SEALING CAP

Ordering code:
AT000020



NOTES

Setting: at least 1.3 times the load induced pressure
Designed for SAM HYDRAULIK BR motors
Valve composed by:
1.MB000619
2.MP000034

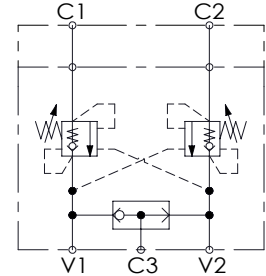
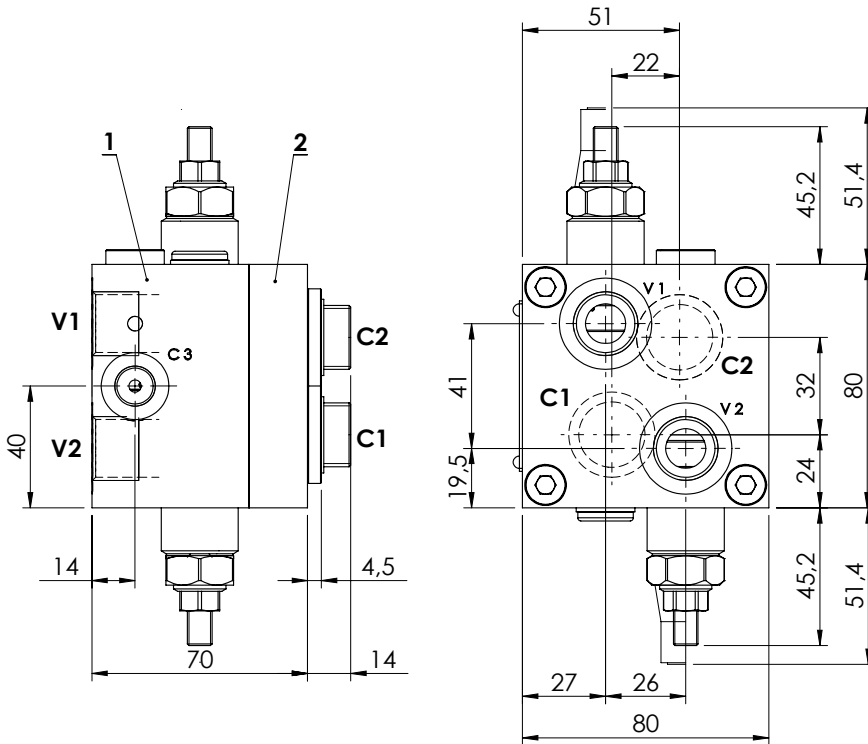
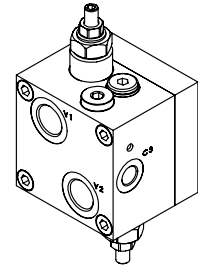
ORDERING CODES

Quick code	Description	Pilot ratio	Main ports size	Standard setting (bar, Q=5 l/min)	Adjust. range (bar)	Pressure increase (bar/turn)
MB000317	MBDN-060-AMSF-04-G12-N200-SH BR	4,2:1	V1, V2: G 1/2" C1, C2: Sam Hydraulik flange C3: G 1/4"	200	60-210	62

VALVES FOR MOTORS

MBDN-060-AMSF

**OVERCENTRE
WITH BRAKE RELEASE**

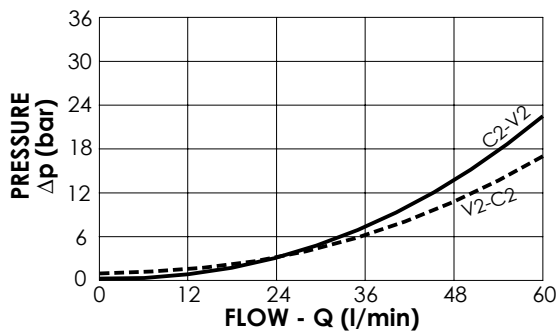


SPECIFICATIONS

Max. operating pressure:	350 bar
Rated flow:	60 l/min
Manifold:	Steel
Weight:	3,44 kg

SEALING CAP

Ordering code:
AT000020



NOTES

Setting: at least 1.3 times the load induced pressure

Designed for
SAM HYDRAULIC HR/OMS motors

Valve composed by:
1.MB000619
2.MP000030

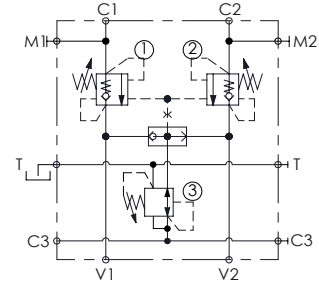
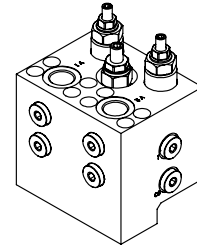
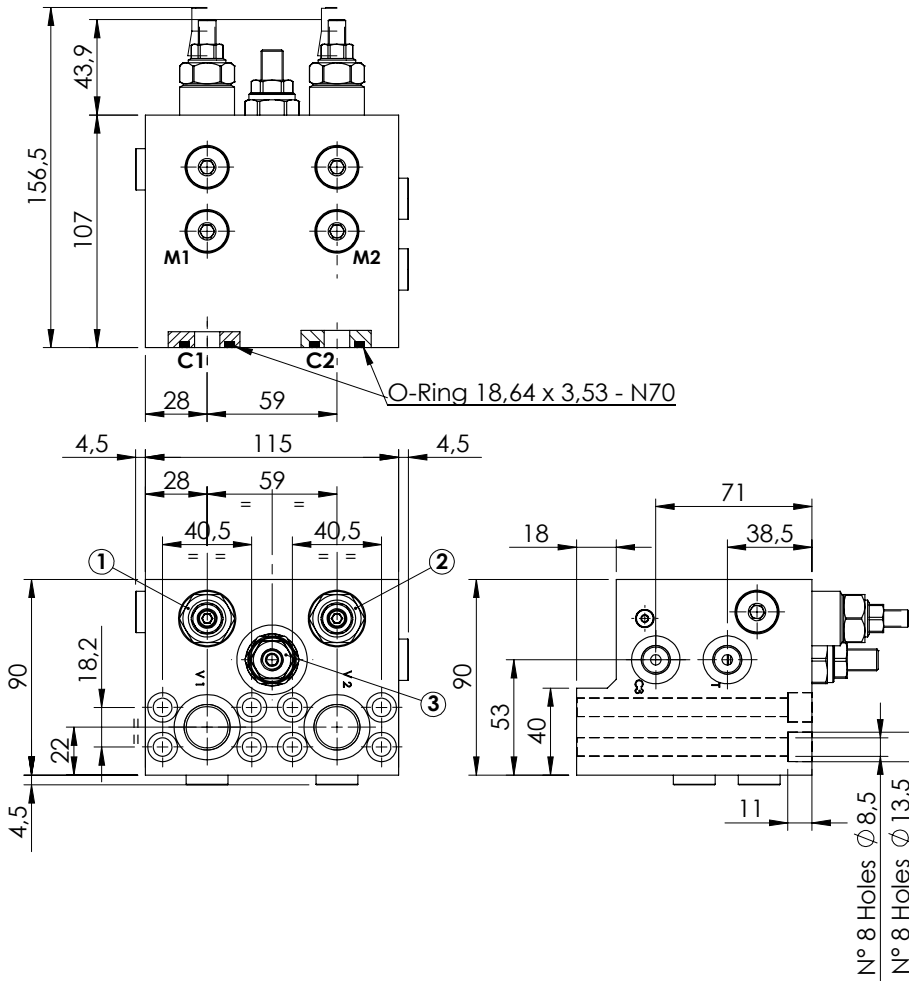
ORDERING CODES

Quick code	Description	Pilot ratio	Main ports size	Standard setting (bar, Q=5 l/min)	Adjust. range (bar)	Pressure increase (bar/turn)
MB000319	MBDN-060-AMSF-04-G12-N200-SH HR	4,2:1	V1, V2: G 1/2" C1, C2: Sam Hydraulic HR /OMS C3: G 1/4"	200	60-210	62

VALVES FOR MOTORS

MBDN-060-AMSR

**OVERCENTRE
WITH BRAKE RELEASE**

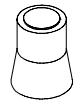


SPECIFICATIONS

Max. operating pressure:	420 bar
Rated flow:	60 l/min
Manifold:	Steel
Weight:	7,04 kg

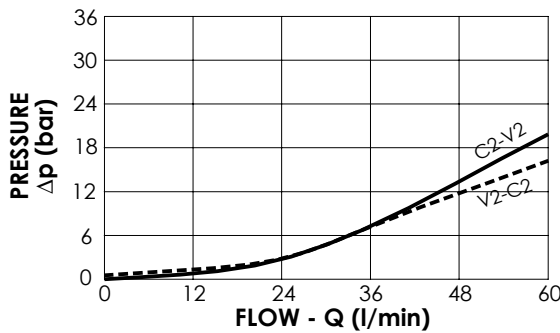
SEALING CAP

Ordering code:
AT000020



NOTES

Setting: at least 1.3 times the load induced pressure
Designed for REXROTH A2FE 28-32 motors



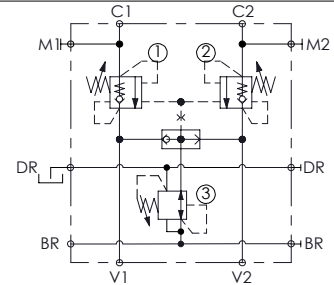
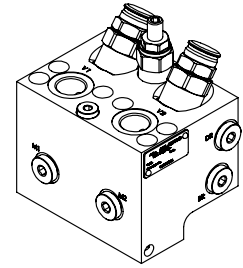
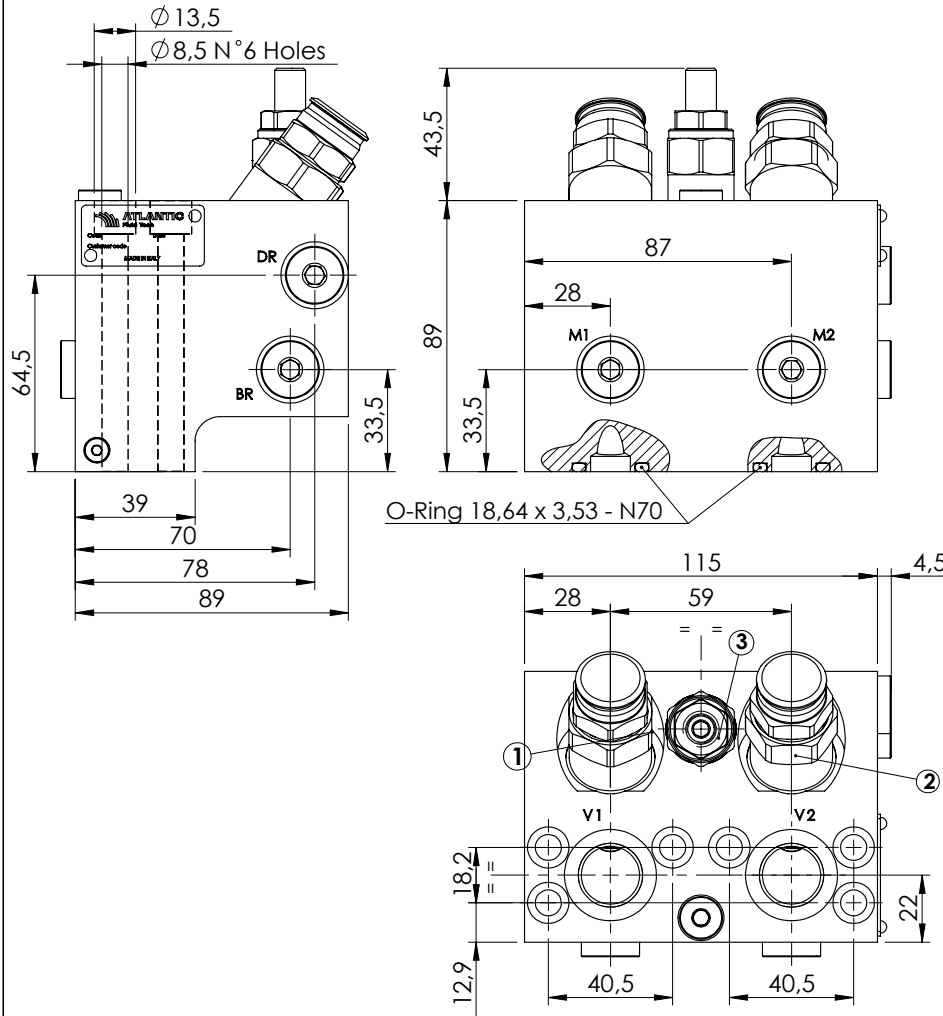
ORDERING CODES

Quick code	Description	Pilot ratio	Main ports size	Standard setting (bar, Q=5 l/min)	Adjust. range (bar)	Pressure increase (bar/turn)
MB000483	MBDN-060-AMSR-11-S12-N420	11:1	V1,V2:G1/2" C1,C2:1/2 SAE 6000 C3,T,M1,M2:G1/4"	① ② :350 ③ :50	① ② :80-350 ③ :10-60	① ② :161 ③ :6

VALVES FOR MOTORS

MBDN-100-AMSR

OVERCENTRE WITH BRAKE RELEASE

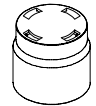


SPECIFICATIONS

Max. operating pressure:	420 bar
Rated flow:	100 l/min
Manifold:	Steel
Weight:	5,83 kg

SEALING CAP

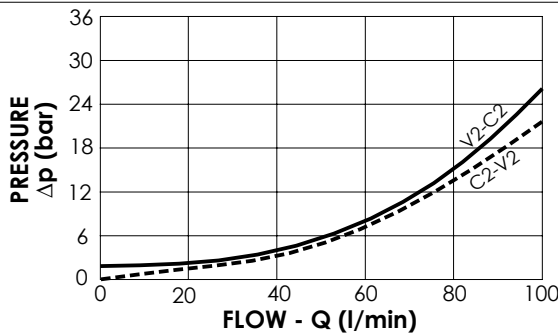
Ordering code:
PT000243



NOTES

Setting: at least 1.3 times the load induced pressure

Designed for REXROTH A2FE 28-32 motors

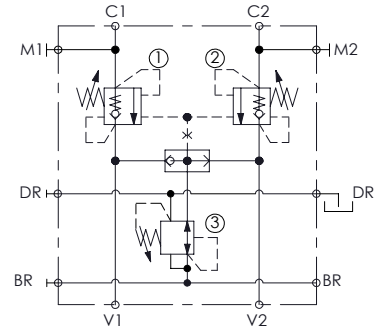
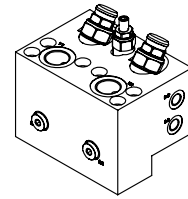


ORDERING CODES

Quick code	Description	Pilot ratio	Main ports size	Standard setting (bar, Q=5 l/min)	Adjust. range (bar)	Pressure increase (bar/turn)
MB000484	MBDN-100-AMSR-04-S12-N420	3,8:1	V1,V2: G1/2" C1,C2: 1/2" SAE 6000 DR,BR,M1,M2: G1/4"	①②:350 ③:40	①②:100-350 ③:10-60	①②:118 ③:6
MB000766	MBDN-100-AMSR-08-S12-N420	8:1	V1,V2: G1/2" C1,C2: 1/2" SAE 6000 DR,BR,M1,M2: G1/4"	①②:350 ③:40	①②:100-350 ③:10-60	①②:132 ③:6

VALVES FOR MOTORS

MBDN-150-AMSR OVERCENTRE WITH BRAKE RELEASE



SPECIFICATIONS

Max. operating pressure:	420 bar
Rated flow:	150 l/min
Manifold:	Steel
Weight:	11 kg

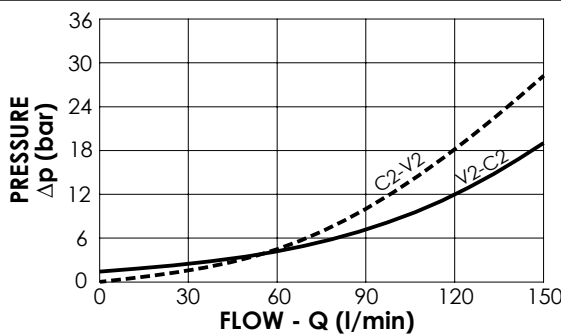
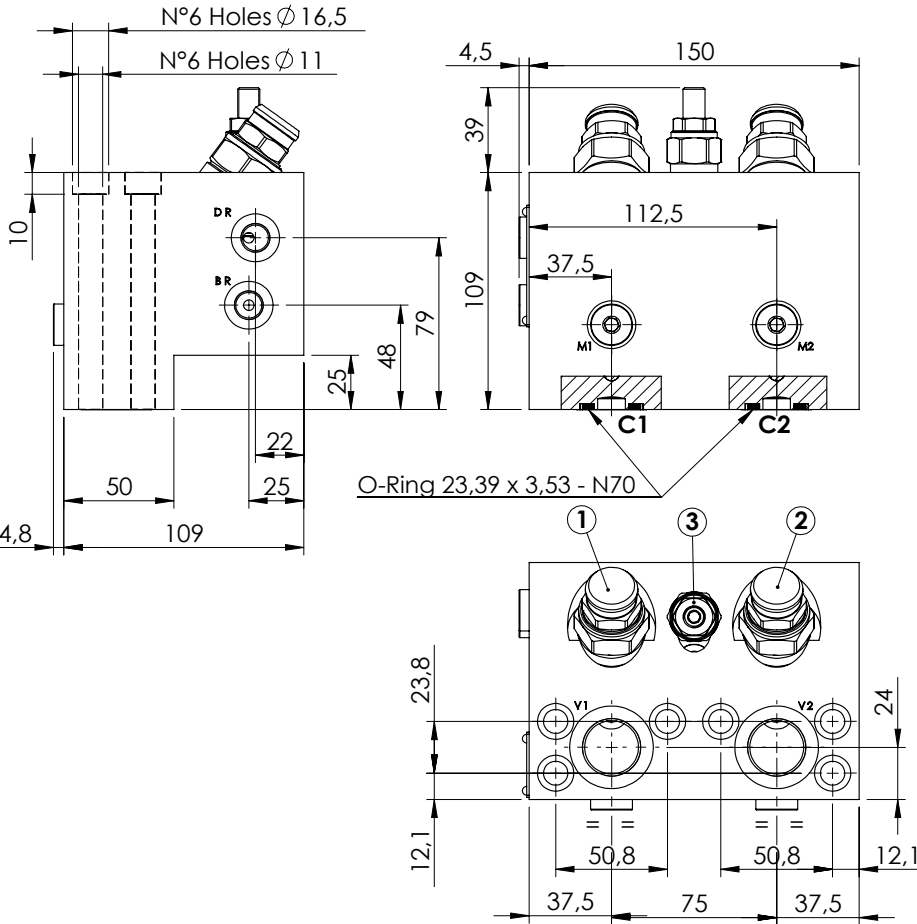
SEALING CAP

Ordering code:
ST000012



NOTES

Setting: at least 1.3 times the load induced pressure
Designed for REXROTH A2FE 45-56-63 motors

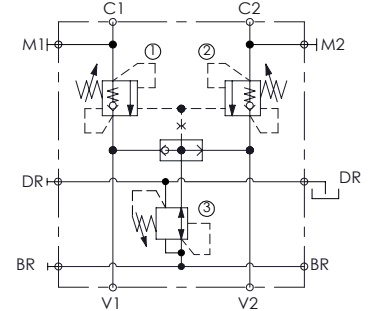
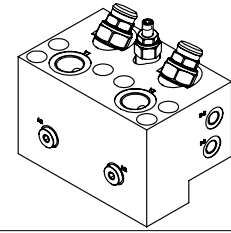
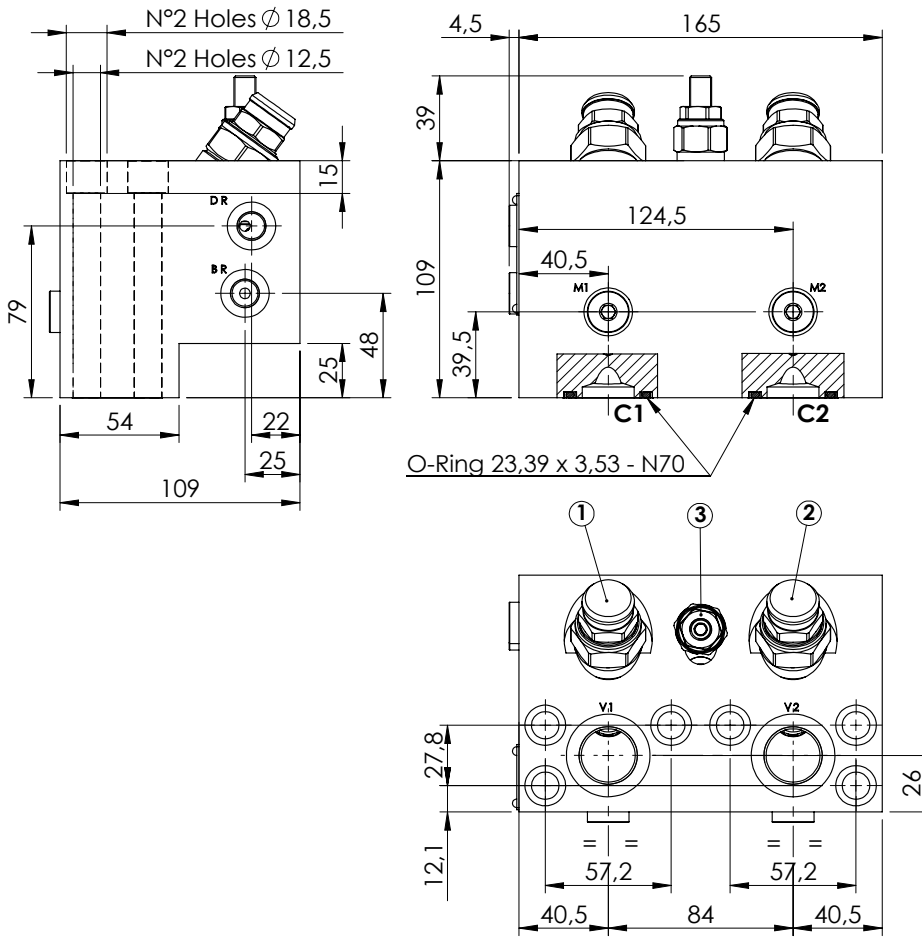


ORDERING CODES

Quick code	Description	Pilot ratio	Main ports size	Standard setting (bar, Q=5 l/min)	Adjust. range (bar)	Pressure increase (bar/turn)
MB000347	MBDN-150-AMSR-04-S34-N420	4:1	V1,V2:G3/4" C1,C2:3/4" SAE 6000 BR,DR,M1,M2:G1/4"	①②: 350 ③: 30	①②:100-350 ③: 10-60	①②: 104 ③: 6
MB000350	MBDN-150-AMSR-08-S34-N420	8:1	V1,V2:G3/4" C1,C2:3/4" SAE 6000 BR,DR,M1,M2:G1/4"	①②: 380 ③: 30	①②:100-420 ③: 10-60	①②: 82 ③: 6

VALVES FOR MOTORS

MBDN-150-AMSR OVERCENTRE WITH BRAKE RELEASE



SPECIFICATIONS

Max. operating pressure:	420 bar
Rated flow:	150 l/min
Manifold:	Steel
Weight:	12,07 kg

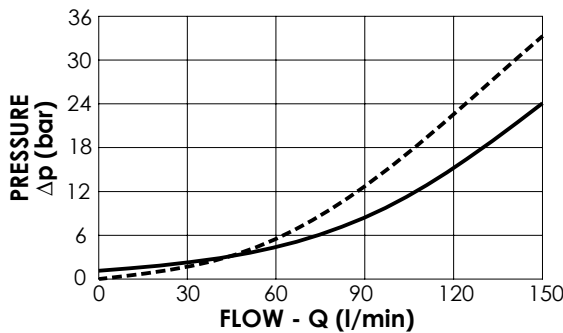
SEALING CAP

Ordering code:
ST000012



NOTES

Setting: at least 1.3 times the load induced pressure
Designed for REXROTH A2FE 80-90 motors

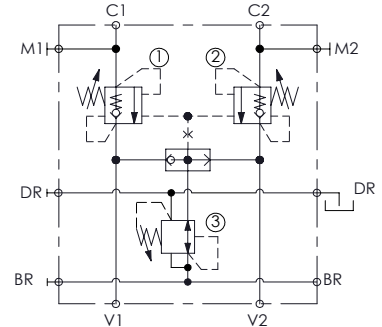
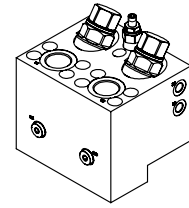
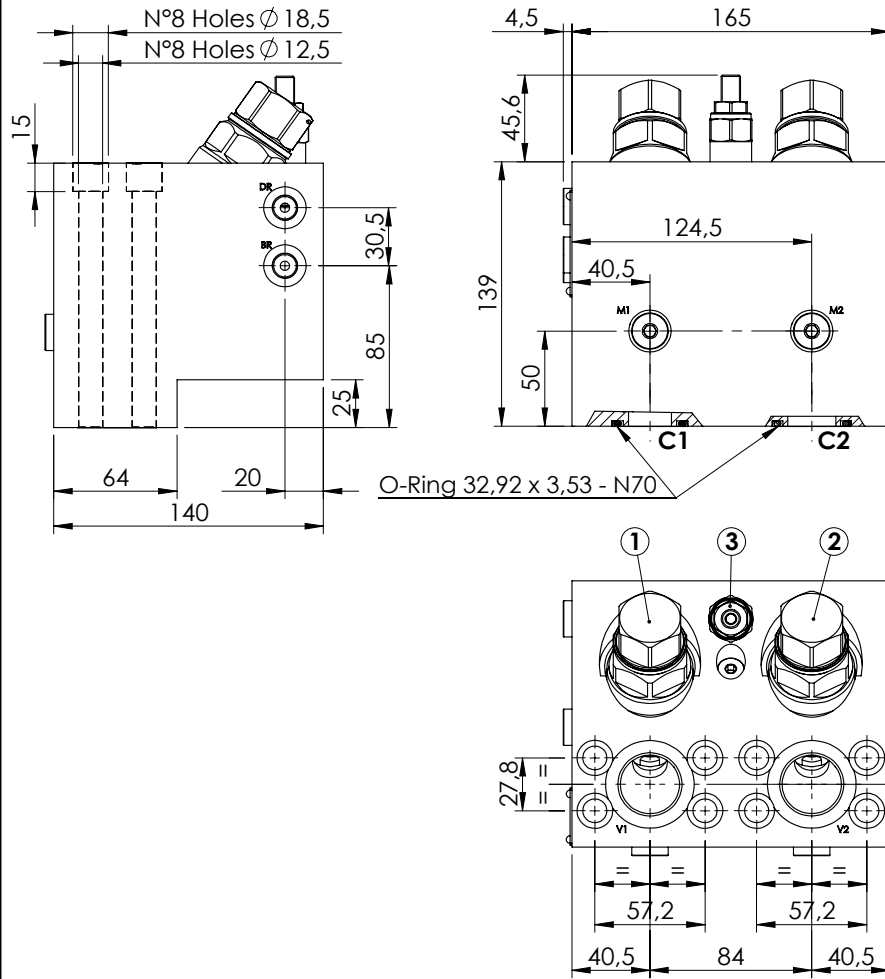


ORDERING CODES

Quick code	Description	Pilot ratio	Main ports size	Standard setting (bar, Q=5 l/min)	Adjust. range (bar)	Pressure increase (bar/turn)
MB000477	MBDN-150-AMSR-04-S10-N420	4:1	V1, V2: G 3/4" C1, C2: 1" SAE 6000 BR, DR: G 1/4"	①②: 350 ③: 40	①②: 100-350 ③: 10-60	①②: 104 ③: 6

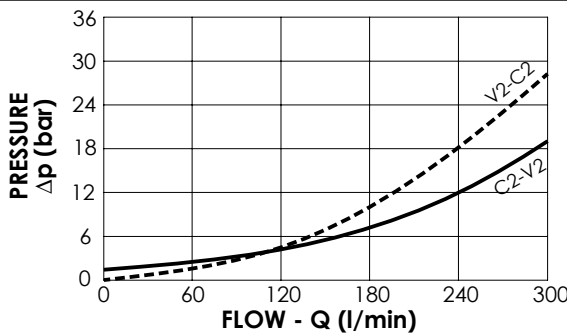
VALVES FOR MOTORS

MBDN-300-AMSR OVERCENTRE WITH BRAKE RELEASE



SPECIFICATIONS

Max. operating pressure:	420 bar
Rated flow:	300 l/min
Manifold:	Steel
Weight:	20,44 kg



NOTES

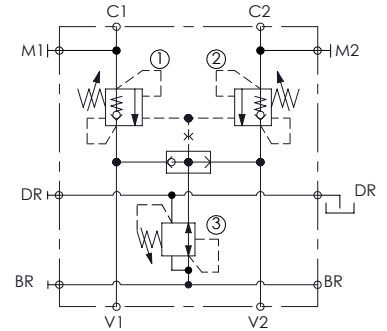
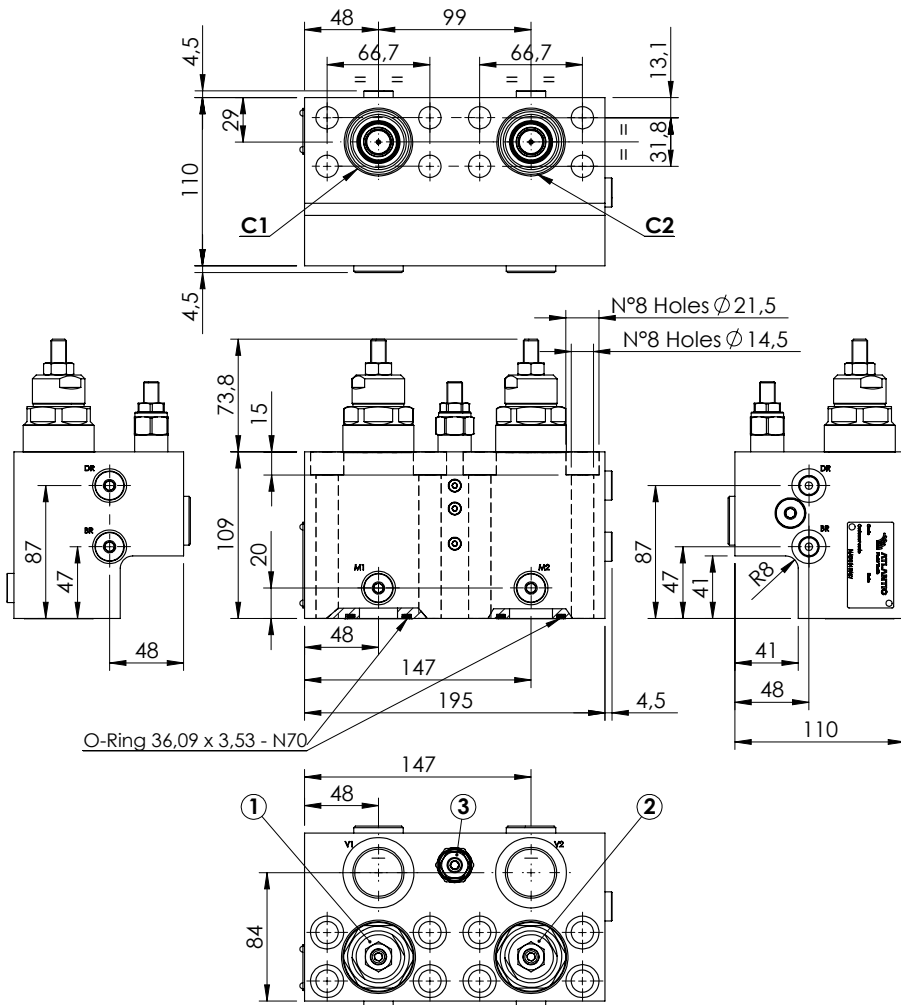
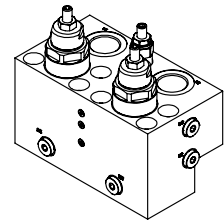
Setting: at least 1.3 times the load induced pressure
 Designed for REXROTH A2FE 80-90 motors

ORDERING CODES

Quick code	Description	Pilot ratio	Main ports size	Standard setting (bar, Q=5 l/min)	Adjust. range (bar)	Pressure increase (bar/turn)
MB000402	MBDN-300-AMSR-04-S10-N420	4:1	V1,V2: G 1" C1,C2: 1" SAE 6000 BR,DR,M1,M2: G1/4"	①② : 350 ③ : 30	①② : 100-350 ③ : 10-60	①② : 75 ③ : 6
MB000349	MBDN-300-AMSR-06-S10-N420	6:1	V1,V2: G 1" C1,C2: 1" SAE 6000 BR,DR,M1,M2: G1/4"	①② : 380 ③ : 30	①② : 100-420 ③ : 10-60	①② : 62 ③ : 6

VALVES FOR MOTORS

MBDN-320-AMSR OVERCENTRE WITH BRAKE RELEASE

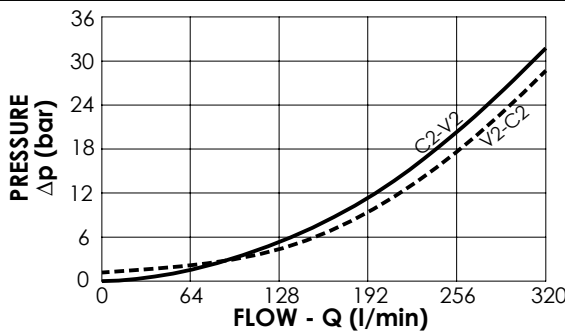


SPECIFICATIONS

Max. operating pressure:	350 bar
Rated flow:	320 l/min
Manifold:	Steel
Weight:	13,7 kg

NOTES

Setting: at least 1.3 times the load induced pressure
 Designed for REXROTH A2FE 107-125 160-180 motors



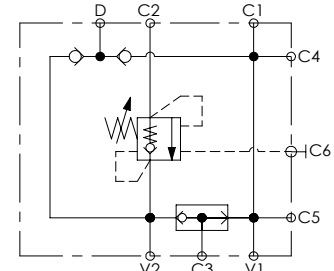
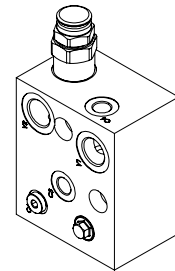
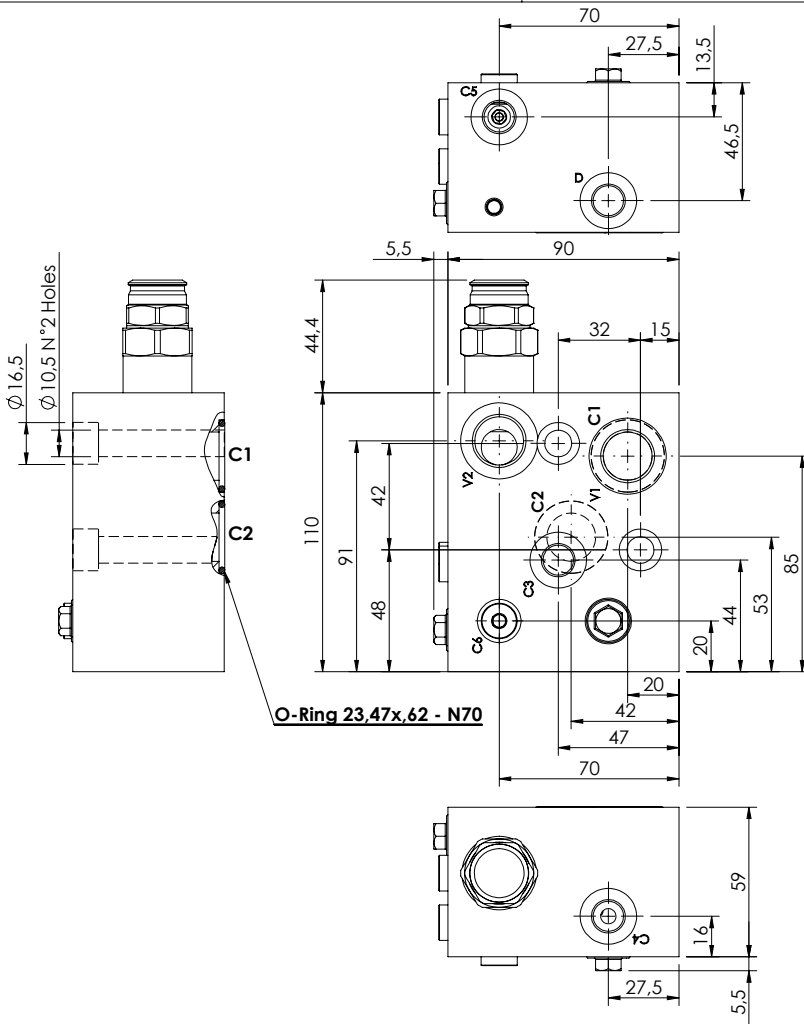
ORDERING CODES

Quick code	Description	Pilot ratio	Main ports size	Standard setting (bar, Q=5 l/min)	Adjust. range (bar)	Pressure increase (bar/turn)
MB000563	MBDN-320-AMSR-08-S11-N350	8:1	V1,V2: G 1" C1,C2: 1-1/4" SAE 6000 BR,DR,M1,M2: G1/4"	①②: 350 ③: 40	①②: 140-350 ③: 10-60	①②: 56 ③: 6,5

VALVES FOR WINCHES

MBSN-100-ZMSF

**PILOT ASSISTED
OVERCENTRE**

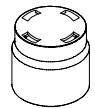


SPECIFICATIONS

Max. operating pressure:	350 bar
Rated flow:	100 l/min
Manifold:	Aluminum
Weight:	1,61 kg

SEALING CAP

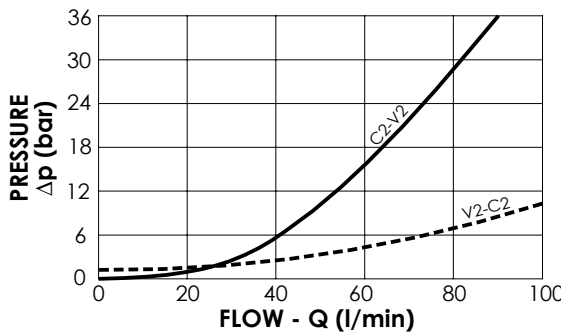
Ordering code:
PT000243



NOTES

Setting: at least 1.3 times the load induced pressure

Designed for DANFOSS motors OMS series.



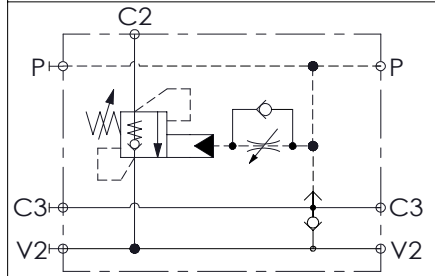
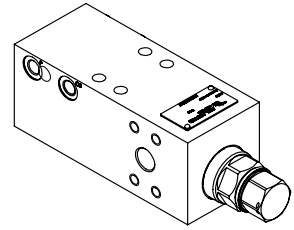
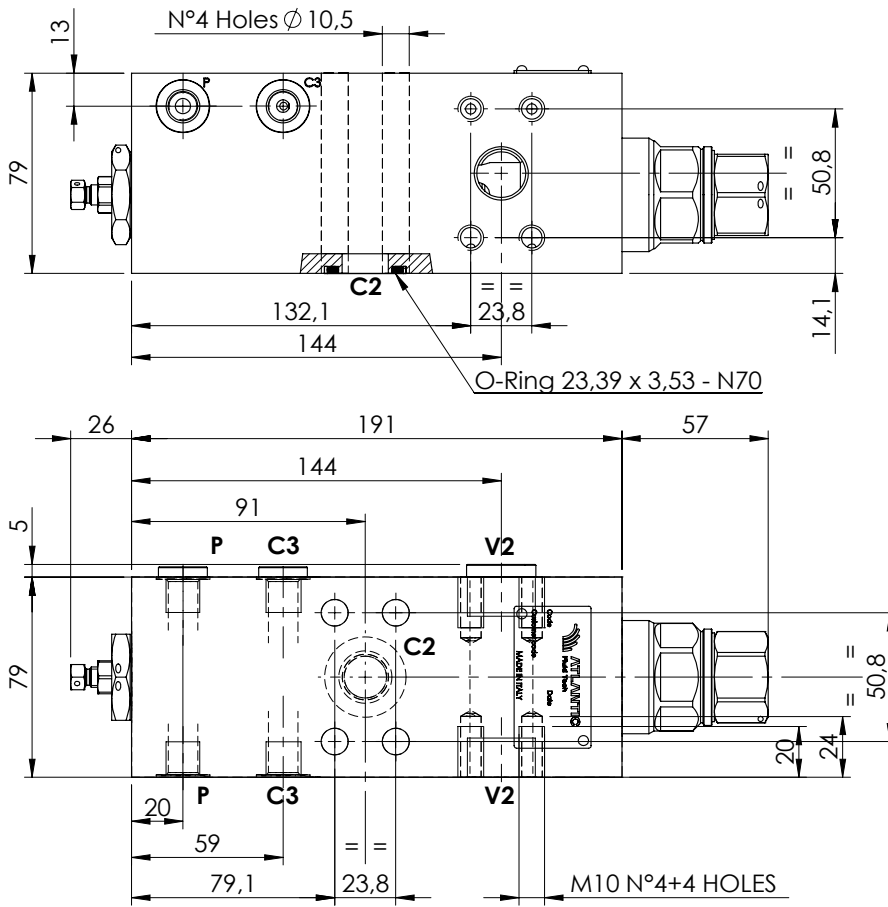
ORDERING CODES

Quick code	Description	Pilot ratio	Main ports size	Standard setting (bar, Q=5 l/min)	Adjust. range (bar)	Pressure increase (bar/turn)
MB000925	MBSN-100-ZMSF-04-G12-N350	4:1	V1, V2: G1/2" C6: G1/8" C1, C2: $\varnothing 19$ D, C3, C4, C5: G1/4"	250	100-350	124

VALVES FOR WINCHES

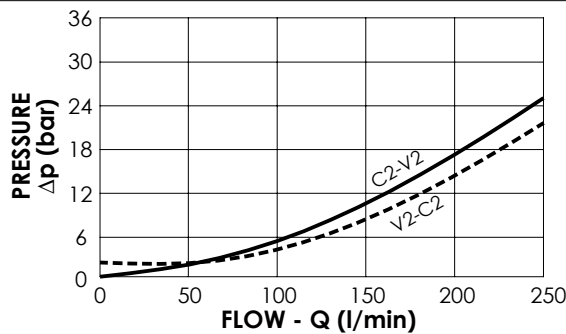
MBSN-250-AMSF

**SINGLE ACTING
WITH BRAKE RELEASE**



SPECIFICATIONS

Max. operating pressure:	500 bar
Rated flow:	250 l/min
Manifold:	Steel
Weight:	8,1 kg



NOTES

Setting: at least 1.3 times the load induced pressure

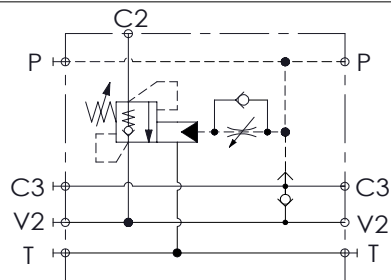
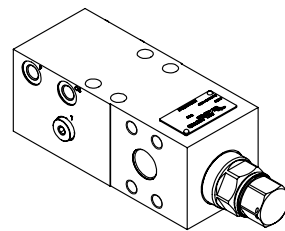
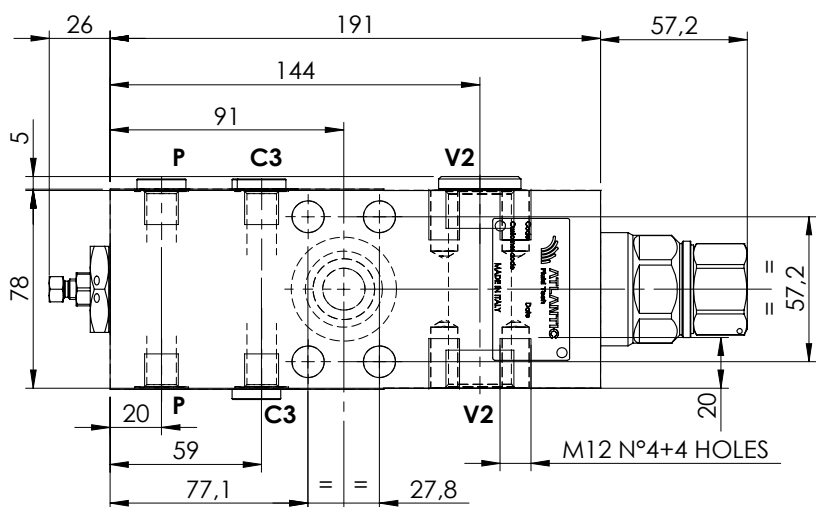
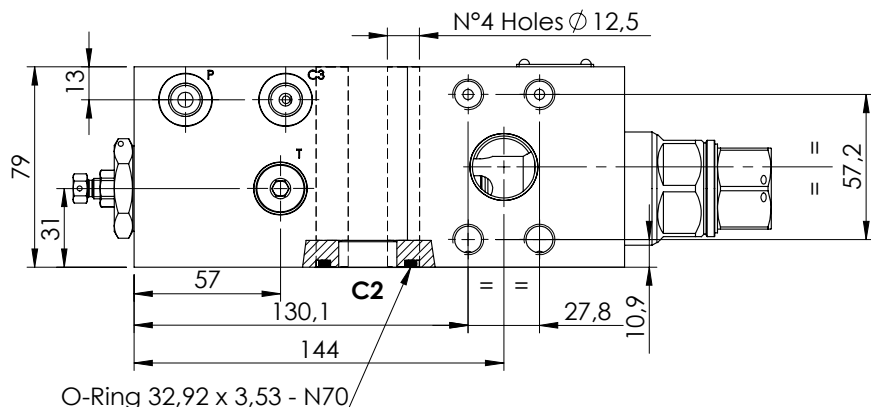
ORDERING CODES

Quick code	Description	Pilot ratio	Main ports size	Standard setting (bar, Q=5 l/min)	Adjust. range (bar)	Pressure increase (bar/turn)
MB000663	MBSN-250-AMSF-13-S34-N500	13:1	C2,V2 : 3/4" SAE 6000 P,C3 : G 1/4"	500	250-500	104

VALVES FOR WINCHES

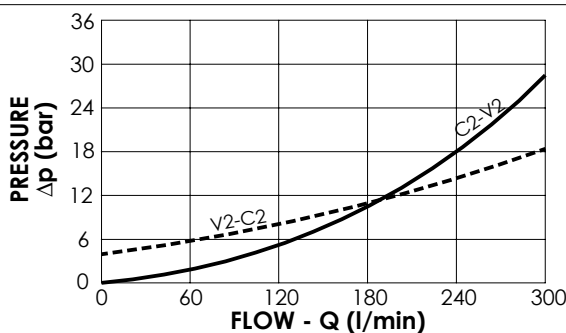
MBSN-300-AMSF

**SINGLE ACTING
WITH BRAKE RELEASE**



SPECIFICATIONS

Max. operating pressure:	500 bar
Rated flow:	300 l/min
Manifold:	Steel
Weight:	8 kg



NOTES

Setting: at least 1.3 times the load induced pressure

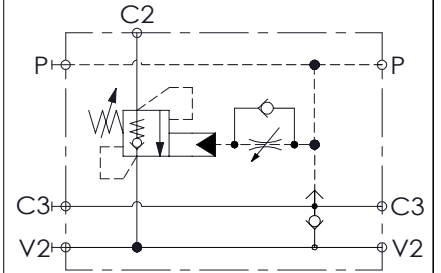
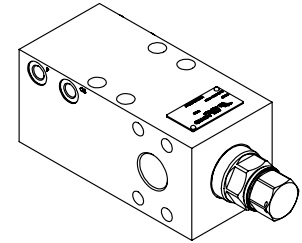
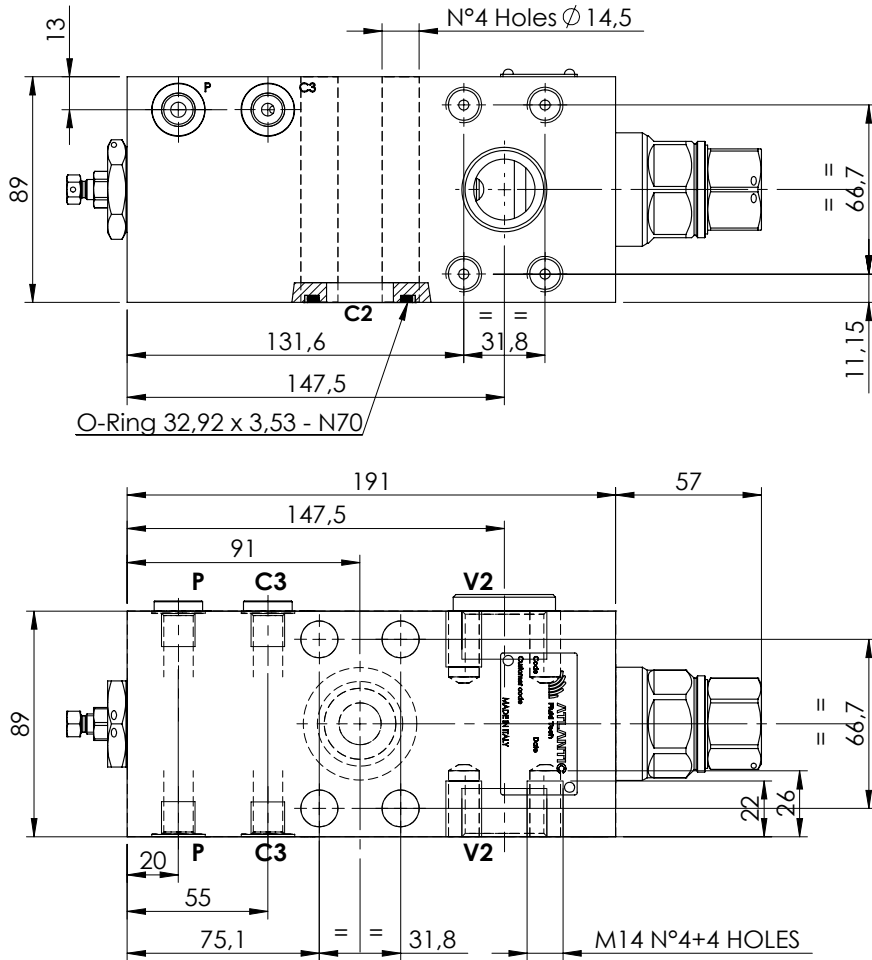
ORDERING CODES

Quick code	Description	Pilot ratio	Main ports size	Standard setting (bar, Q=5 l/min)	Adjust. range (bar)	Pressure increase (bar/turn)
MB000664	MBSN-300-AMSF-13-S10-N500	13:1	C2,V2 : 1" SAE 6000 P,C3 : G 1/4"	500	250-500	104

VALVES FOR WINCHES

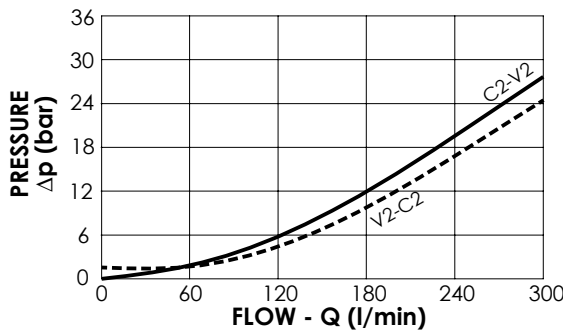
MBSN-300-AMSF

**SINGLE ACTING
WITH BRAKE RELEASE**



SPECIFICATIONS

Max. operating pressure:	500 bar
Rated flow:	300 l/min
Manifold:	Steel
Weight:	10,9 kg



NOTES

Setting: at least 1.3 times the load induced pressure

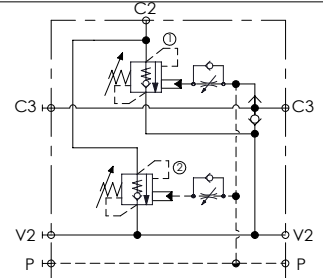
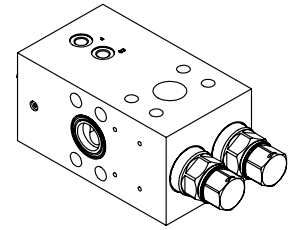
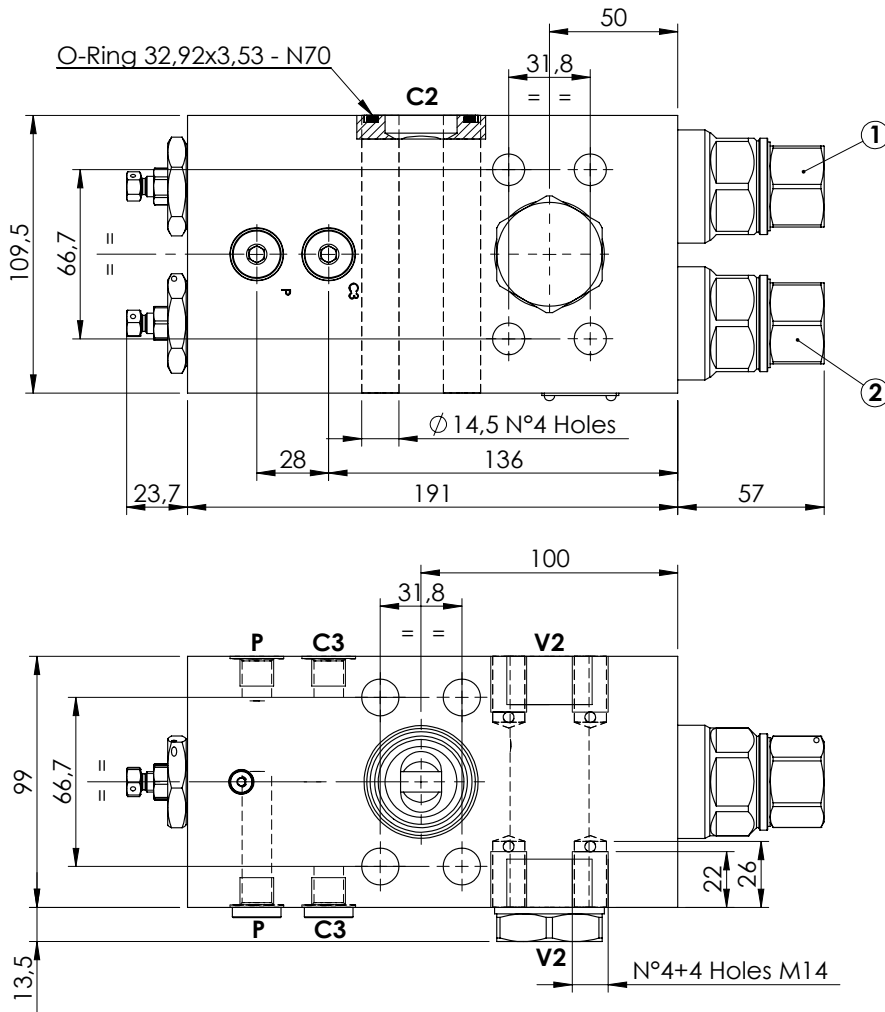
ORDERING CODES

Quick code	Description	Pilot ratio	Main ports size	Standard setting (bar, Q=5 l/min)	Adjust. range (bar)	Pressure increase (bar/turn)
MB000665	MBSN-300-AMSF-13-S11-N500	13:1	C2,V2 : 1-1/4" SAE 6000 P1,C3 : G 1/4"	500	250-500	104

VALVES FOR WINCHES

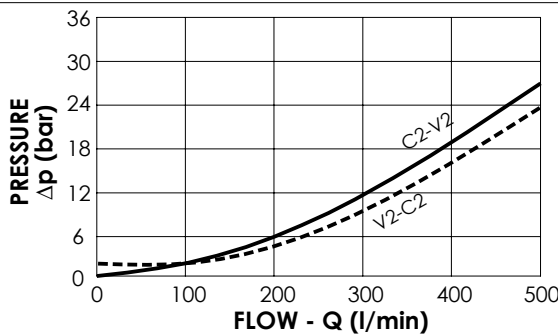
MBDN-500-AMSF

**DOUBLE ACTING
WITH BRAKE RELEASE**



SPECIFICATIONS

Max. operating pressure:	500 bar
Rated flow:	500 l/min
Manifold:	Steel
Weight:	15,15 kg



NOTES

Setting: at least 1.3 times the load induced pressure

ORDERING CODES

Quick code	Description	Pilot ratio	Main ports size	Standard setting (bar, Q=5 l/min)	Adjust. range (bar)	Pressure increase (bar/turn)
MB000676	MBDN-500-AMSF-13-S11-N500	13:1	C2,V2: 1-1/4" SAE 6000 P,E,C3: G 1/4"	500	250-500	104

