



## TECHNICAL SPECIFICATIONS



### PT7D SERIES

Medium to large displacement vane pump



## PUMP OPERATING CHARACTERISTICS CHART

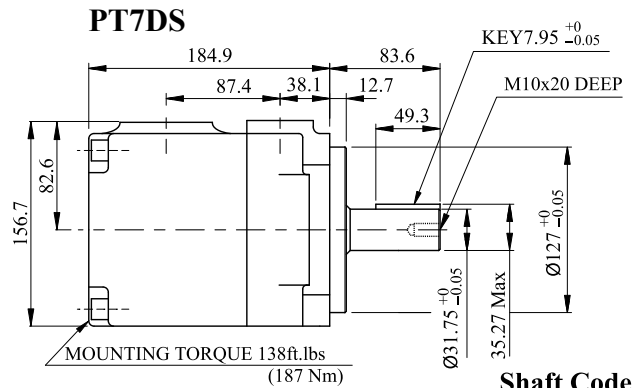
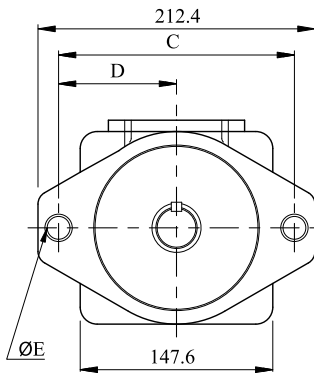
	Cam Ring										
	B14	B17	B20	B24	B28	B31	B35	B38	B42	B45	B50
<b>GPM @ 1200 RPM</b> <i>0 PSI</i>	14	17	20	24	28	31	35	38	42	45	50
<b>GPM @ 1800 RPM</b> <i>4374 PSI</i>	17.14	22.38	27.61	27.61	38.99	43.38	50.35*	53.79*	62.05*	65.38*	71.67*
<b>LPM @ 1800 RPM</b> <i>320 BAR</i>	64.9	84.7	104.5	104.5	147.6	164.2	190.6*	203.6*	234.9*	247.5*	271.3*
<b>IN<sup>3</sup></b>	2.68	3.36	4.03	4.03	5.49	6.05	6.92	7.36	8.39	8.89	9.64
<b>CC</b>	43.9	55	66	66	89.9	99.1	113.4	120.6	137.5	145.7	157.9
<b>Max PSI</b>	4375						4083		3791	3500	3062
<b>Continuous PSI</b>	3600								3400	3000	2300
<b>MAX RPM</b>	3000						2800		2500	2200	
<b>MIN RPM</b>	600										

\*Performance stated at Max RPM and Max PSI for given cam ring.

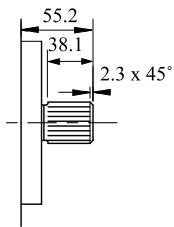
## SPECIFICATIONS

Series	Type	Frame Size	Displacement	Max RPM	GPM @ 1000RPM	Max PSI
PT7D	Vane	Medium to Large	2.68-9.64	3600	20-50	4060

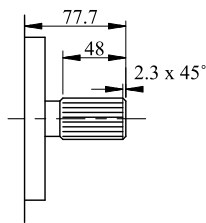
## DIMENSIONAL DATA



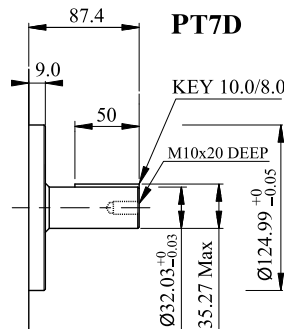
**Shaft Code 1**  
(Keyed SAE C)



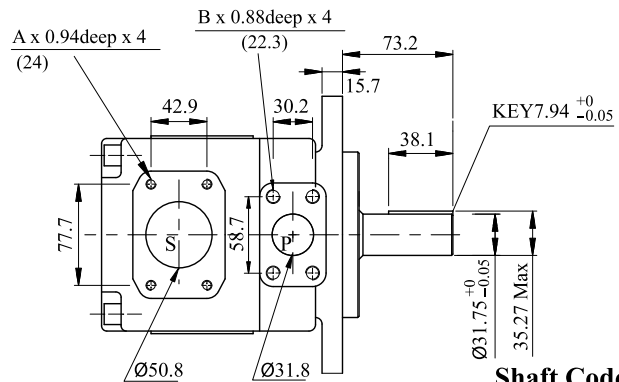
**Shaft code 3**  
SAE C splined shaft  
Class 1 - J498b  
12/24 dp. -14 teeth  
30° pressure angle  
Flat root side fit.



**Shaft code 4**  
SAE C spc(\*) splined  
shaft Class 1 - J498b  
12/24 dp. -14 teeth  
30° pressure angle  
Flat root side fit.  
(SAE C spec long)



**Shaft code 5**  
(Keyed ISO R775)



**Shaft Code 2**  
(Keyed no SAE)

Shaft torque limits in <sup>3</sup> /rev x psi (cm <sup>3</sup> /rev x bar)		
Pump	Shaft	Vp x p max
PT7D PT7DS	1	38299 (43283)
	2	30638 (34590)
	3	54207 (61200)
	4	54207 (61200)
	5	39238 (44344)

	PT7DS		PT7D	
	00	M0	Y0 1)	M0
A	1/2-13UNC	M12	M12	M12
B	7/16-14UNC	M12	M10	M12
C	181			180
D	90.5			90
E	17.5			18

1) 250 bar max.int

**DISCLAIMER** Consult your Permco Representative or the factory for operation below 600 or above 2400 RPM and temperatures above 180°F. Consult Permco for all pressure applications over 4350 PSI. Oil Viscosity: 150 SUS (32.1 cSt.) at 100°F (37.8°C) | Oil Temperature: 150°F (65.5°C)



1500 Frost Road P.O. Box 2068  
Streetsboro, Ohio 44241  
Phone 330.626.2801· Fax 330.626.2805

support@permco.com · www.permco.com  
twitter: @permco  
facebook: www.facebook.com/permco