

# ***MTHP SERIES***

## ***HYDRAULIC MOTOR***

### ***HIGH TORQUE - LOW SPEED***

TYPE		MTHP SERIES						
MOTOR SIZE		130	160	200	250	300	400	500
DISPLACEMENT	cm <sup>3</sup>	142	161	201	250	330	411	524
	in <sup>3</sup>	8.6	9.8	12.3	15.2	20.2	25.1	32.0
MAX. SPEED	rpm cont.	725	625	625	500	380	300	240
	rpm int.	825	780	750	600	460	360	285
MAX. TORQUE	Nm cont.	375	470	590	730	950	1080	1220
	lbf.in cont.	3320	4160	5220	6460	8410	9560	10800
	Nm int.	470	560	710	880	1140	1260	1370
	lbf.in int.	4160	4960	6280	7790	10090	11150	12130
MAX. PRESSURE DROP	bar cont.	200	200	200	200	200	180	160
	psi int.	2900	2900	2900	2900	2900	2610	2320
	bar int.	240	240	240	240	240	210	180
	psi int.	3480	3480	3480	3480	3480	3050	2610
MAX. OIL FLOW	lpm cont.	102	100	125	125	125	125	125
	gpm cont.	22.5	22.0	27.5	27.5	27.5	27.5	27.5
	lpm int.	116	125	151	149.4	152.0	148.0	151.0
	gpm int.	25.6	27.6	33.3	33.0	33.5	32.5	33.0
WEIGHT	kg	21.5	22.0	22.5	23.0	24.0	25.0	26.0

Maximum inlet pressure 4350 psi - 300 bar  
 High pressure shaft seal drain line not required for most applications.

Maximum pressure drop and speed must not be reached simultaneously.  
 Intermittent operation may occur for 10% max. of every minute.

At speeds lower than 10 rpm please consult our Technical Department.

Mineral based hydraulic fluids with anti-wear additives are recommended with a viscosity of 35 mm<sup>2</sup>/s at a temperature of 50 C.

Minimum recommended oil viscosity 13 mm<sup>2</sup>/s at operating temperature.

Recommended oil cleanliness ISO 19/14 with a nominal filtration of 25 micron or better.

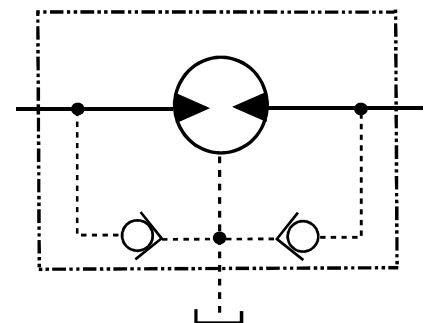
Where non-flammable fluids are to be used it is advisable to consult our Technical Department.

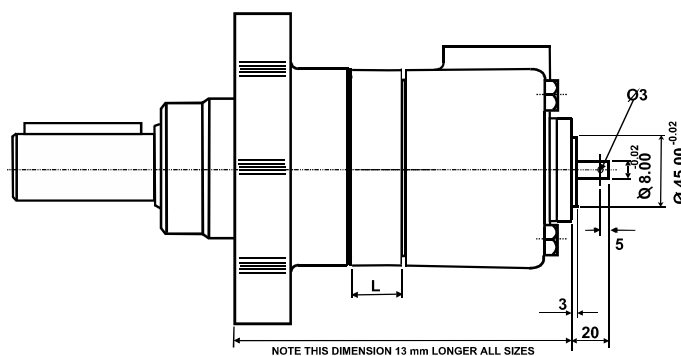
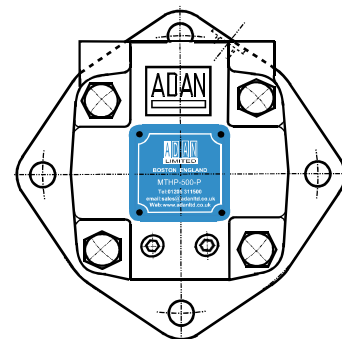
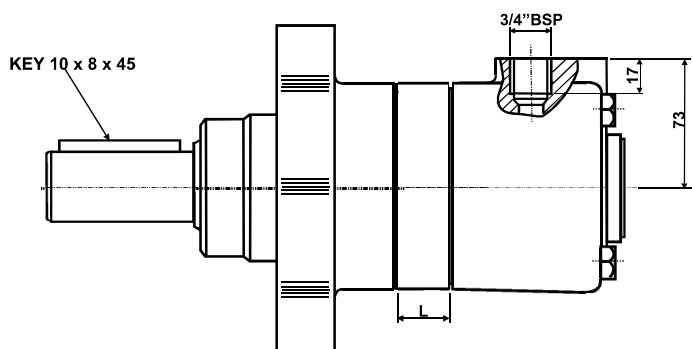
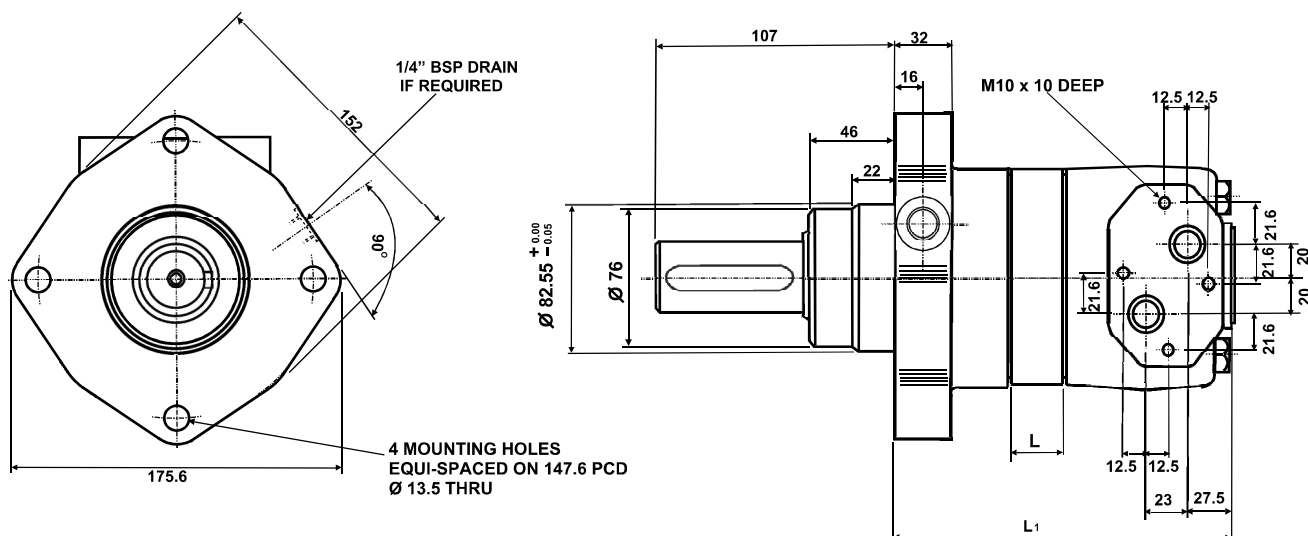
Ambient temperature should be between -30°C and +85°C.

Normal operating temperature should be between +30°C and +60°C.

Maximum operating temperature +85°C.

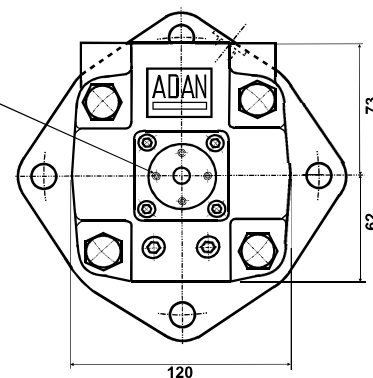
#### SYMBOL





TA

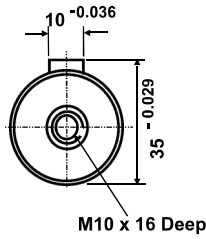
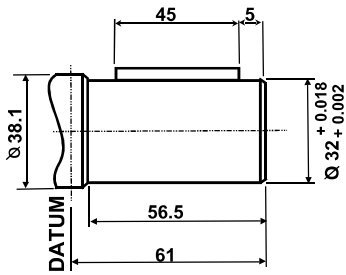
4 MOUNTING HOLES TAPPED M5 x 8 DEEP ON 34 PCD



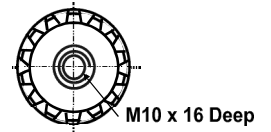
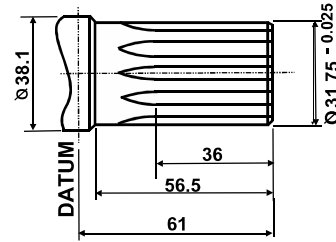
***For motor performance see MT series graphs***

Motor size	130	160	200	250	300	400	500
Dimension L	10.6	13	18	24	34	44	57.9
Dimension L1	159.9	162.3	167.3	173.3	183.3	193.3	207.2

Standard 32mm Shaft - P

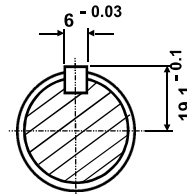
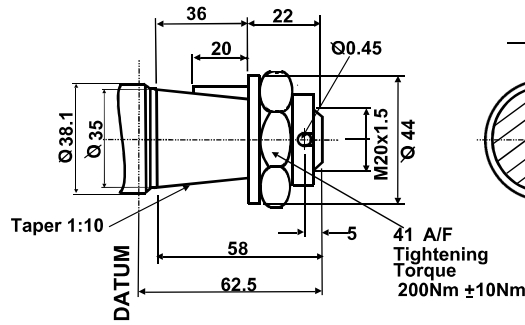


Splined Shaft - S



Spline Data  
ANS B92.1-1970  
Flat root side fit  
12/24 DP  
30° Pressure Angle  
14 Teeth

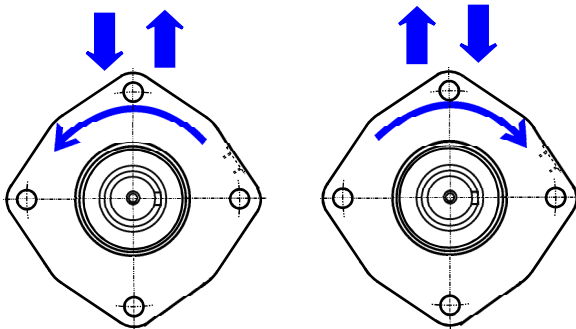
Tapered Shaft - T



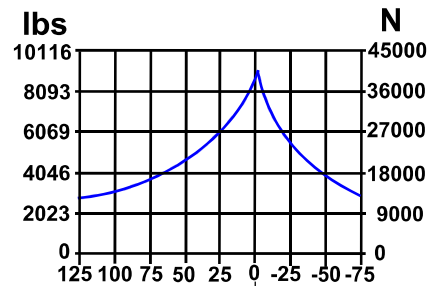
## GENERAL DATA

## MTHP SERIES

### SHAFT ROTATION



### SHAFT LOADING



### ORDERING CODE

