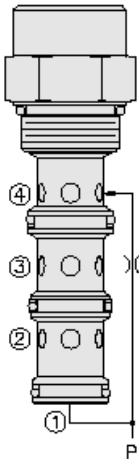




Overview



Description

The EC16-40 is a screw-in cartridge style, pressure compensating element, intended for use with a remote fixed or variable orifice to yield a three port (bypass type), pressure compensated, flow regulating hydraulic valve.

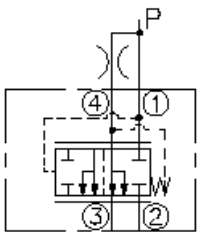
Operation

The EC16-40 maintains a constant flow rate from port 3 regardless of load pressure changes in the circuit downstream of port 3. The EC16-40 is a priority type valve, delivering pump flow first to port 3 then bypassing excess to port 2. All ports may be fully pressurized.

Features

- Hardened parts for long life.
- Quiet, modulated response.
- Industry-common cavity.

Symbol



Ratings

Pressure Ratings

Pressure rating	241 bar (3500 psi)
Proof pressure	345 bar (5000 psi)
Burst pressure	896 psi (13000 psi)

Flow Ratings

Inlet flow rating	180 lpm (47.5 gpm)	- Note: Maximum
Regulated flow	100 lpm (26.5 gpm)	- Note: Maximum

Temperature Ratings

Operating fluid temperature	-40 to 100 °C (-40 to 212 °F)	- Note: With buna N seals
	-26 to 204 °C (-15 to 400 °F)	- Note: With viton seals
	-54 to 107 °C (-65 to 225 °F)	- Note: With polyurethane seals
Storage temperature	-40 to 70 °C (-40 to 160 °F)	
Ambient temperature	-40 to 90 °C (-40 to 194 °F)	

Operating Parameters

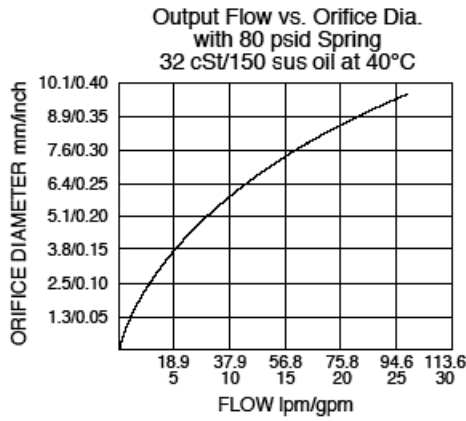
Fluids	Mineral based or synthetic hydraulic fluid with lubricating properties
--------	------------------------------------------------------------------------

Properties

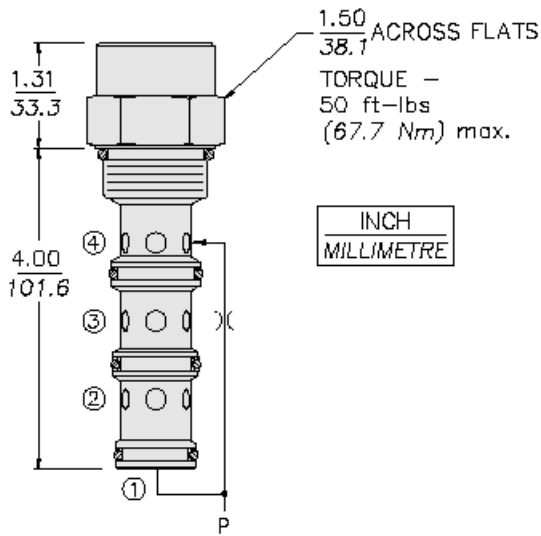
Unit weight	0.36 kg (0.80 lb)
Internal wetted surface area	369 cm ² (57.2 in ²)



Performance



Dimensions



Installation Specifications

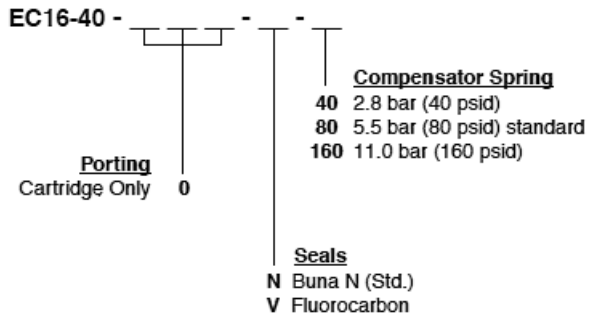
Cavity	VC16-4
Cartridge installation torque	63 to 73 N-m (46 to 54 ft-lb)
Orientation restriction	None

Accessories

Seal kit	SK16-4X-TMB	- Note: X = seal option
----------	-------------	--------------------------------



Order Code



Model Options

EC16-40-H-J-R

H Line Body

CODE	DESCRIPTION
0	No Body
12TD	Ductile Iron SAE 12
16TD	Ductile Iron SAE 16

J Seal

CODE	DESCRIPTION
N	Buna-N
V	Fluorocarbon
P	Polyurethane
U	PPDI Urethane

R Compensator Spring

CODE	DESCRIPTION
40	40 Compensator Spring
80	80 Compensator Spring
160	160 Compensator Spring