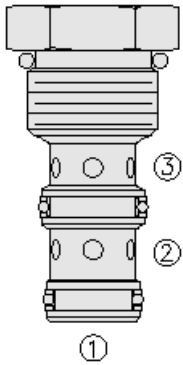




Overview



Description

A load shuttle, screw-in, cartridge style, hydraulic check valve, for use in blocking circuits where a priority of flow/direction is given to a higher pressure circuit over a lower one.

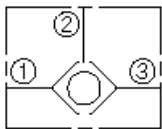
Operation

The LS10-30 will allow flow from the higher pressure port 1 or 3 to port 2.

Features

- Rapid response to load direction changes. Industry-common cavity.

Symbol



Ratings

Pressure Ratings

Pressure rating 241 bar (3500 psi)

Flow Ratings

Flow rating See performance graph
Maximum internal leakage 0.25 ml/min (5 drops/min) - **Note:** At 207 bar (3000 psi)

Temperature Ratings

Operating fluid temperature -40 to 100 °C (-40 to 212 °F) - **Note:** With buna N seals
-26 to 204 °C (-15 to 400 °F) - **Note:** With fluorocarbon seals
-54 to 107 °C (-65 to 225 °F) - **Note:** With polyurethane seals
Storage temperature -40 to 70 °C (-40 to 160 °F)
Ambient temperature -40 to 90 °C (-40 to 194 °F)

Other Ratings

Corrosion protection 960 hr salt spray per ASTM b117 (gls10-30)

Operating Parameters

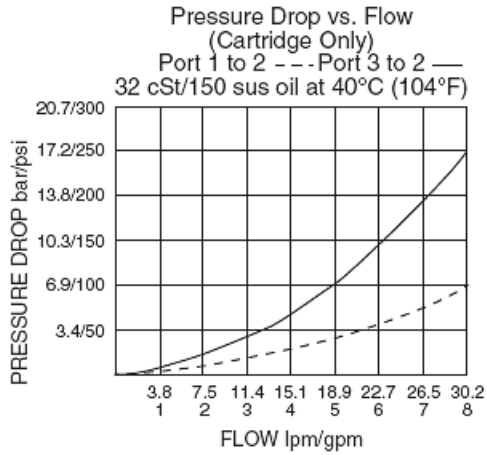
Fluids Mineral based or synthetic hydraulic fluid with lubricating properties
Fluid viscosity range 7.4 to 420 cSt
Maximum operating contamination level 20/18/14 per ISO 4406

Properties

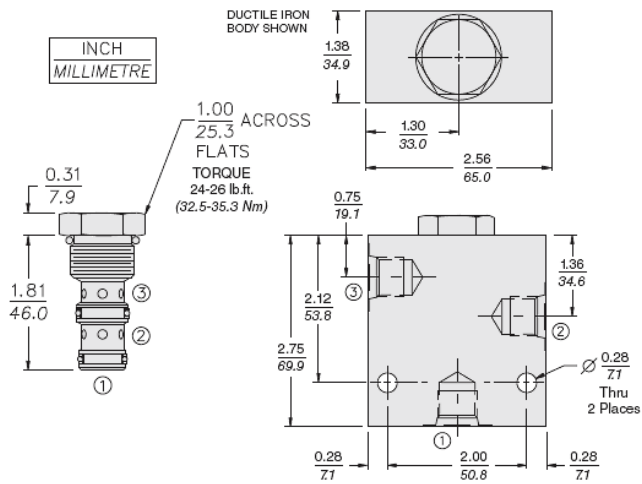
Unit weight 0.09 kg (0.2 lb)
Internal wetted surface area 88 cm² (13.7 in²)



Performance



Dimensions



Installation Specifications


Cavity	VC10-3
Cartridge installation torque	32.6 to 35.4 N-m (24 to 26 ft-lb)
Maximum allowable torque	67.8 N-m (50 ft-lb)
Orientation restriction	None

Accessories

Seal kit	SK10-3X-MM	- Note: X = seal option
----------	------------	--------------------------------



Order Code

LS10-30-  -

<u>Porting</u>		<u>Seals</u>	
Cartridge Only	0	N	Buna N (Std.)
SAE 6	6T	V	Fluorocarbon
SAE 8	8T		
1/4 in. BSP*	2B		
3/8 in. BSP*	3B		

*BSP Body;
U.K. Mfr. Only

Model Options

LS10-30-H-J

H Line Body

CODE	DESCRIPTION
0	No Body
6T	Aluminum SAE 6
8T	Aluminum SAE 8
6TD	Ductile Iron SAE 6
8TD	Ductile Iron SAE 8
3B	Aluminum BSPP 3/8" (3)
3BD	Ductile Iron BSPP 3/8" (3)

J Seal

CODE	DESCRIPTION
N	Buna-N
V	Fluorocarbon
P	Polyurethane
U	PPDI Urethane