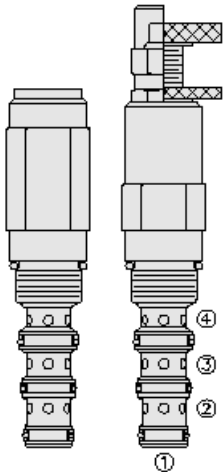




Overview



Description

The PS10-40X is a spool type, direct acting, adjustable, external pilot hydraulic sequence valve with externally vented spring chamber.

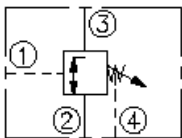
Operation

The PS10-40X blocks flow between ports 2 and 3 bidirectionally. The spring chamber is constantly vented at port 4. On attainment of the valve pressure setting at port 1, the spool shifts to open ports 2 and port 3 bidirectionally. Pressure at port 4 is additive to the spring setting at a 1:1 ratio.

Features

- Adjustments cannot be backed out of the valve.
- Adjustments prohibit springs from going solid.
- Optional spring ranges to 151.7 bar (2200 psi).
- Hardened precision spool and cage for long life.
- Industry-common size.

Symbol



Ratings

Pressure Ratings

| | | |
|-----------------|-----------------------|------------------------------|
| Pressure rating | 206.8 bar (3000 psi) | - Note: Ports 1, 2, 3 |
| | 68.9 bar (1000 psi) | - Note: Port 4 |
| Proof pressure | 482.6 bar (7000 psi) | |
| Burst pressure | 965.3 bar (14000 psi) | |

Flow Ratings

| | | |
|--------------------------|------------------------------------|---|
| Flow rating | 37.8 lpm (10 gpm) | |
| Maximum internal leakage | 82 ml/min (5 in ³ /min) | - Note: Max to 85% of pressure setting |

Temperature Ratings

| | | |
|-----------------------------|-------------------------------|--|
| Operating fluid temperature | -40 to 100 °C (-40 to 212 °F) | - Note: With buna N seals |
| | -26 to 204 °C (-15 to 400 °F) | - Note: With fluorocarbon seals |
| | -54 to 107 °C (-65 to 225 °F) | - Note: With polyurethane seals with urethane seals |
| Storage temperature | -40 to 70 °C (-40 to 160 °F) | |
| Ambient temperature | -40 to 70 °C (-40 to 160 °F) | |

Other Ratings

| | |
|----------------------|---|
| Corrosion protection | (gps10-40x) 960 hr salt spray per ASTM b117 |
|----------------------|---|

Operating Parameters

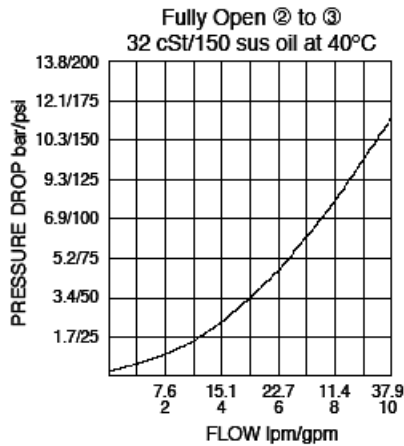
| | |
|---------------------------------------|--|
| Fluids | Mineral based or synthetic hydraulic fluid with lubricating properties |
| Fluid viscosity range | 7.4 to 420 cSt |
| Maximum operating contamination level | 20/18/14 per ISO 4406 |



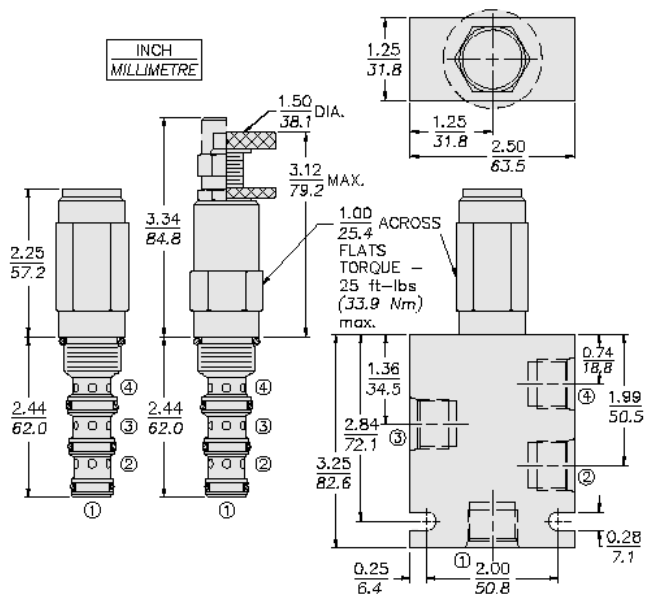
Properties

| | | |
|------------------------------|---|--|
| Unit weight | 0.29 kg (0.64 lb) | - Note: PS10-40A |
| | 0.31 kg (0.69 lb) | - Note: PS10-40B |
| | 0.34 kg (0.74 lb) | - Note: PS10-40C |
| | 0.28 kg (0.62 lb) | - Note: PS10-40F |
| | 0.28 kg (0.61 lb) | - Note: PS10-40H |
| | 0.34 kg (0.74 lb) | - Note: PS10-40L |
| Internal wetted surface area | 150 cm ² (23.3 in ²) | - Note: PS10-40A PS10-40B PS10-40C PS10-40L |
| | 163 cm ² (25.3 in ²) | - Note: PS10-40F PS10-40H |

Performance



Dimensions



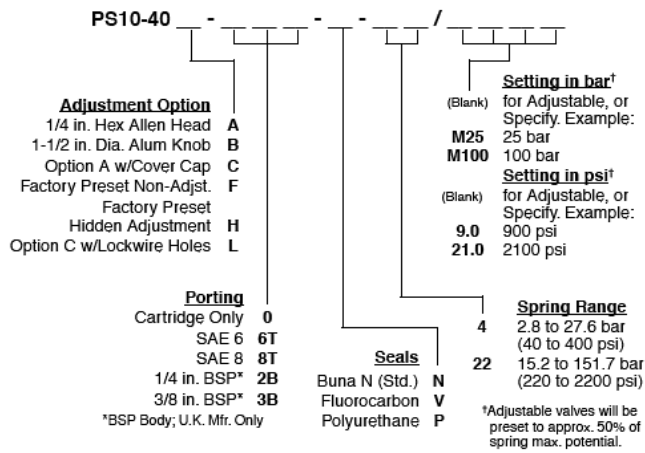
Installation Specifications

| | |
|-------------------------------|-----------------------------------|
| Cavity | VC10-4 |
| H style plug torque | 10.8 to 13.6 N-m (8 to 10 ft-lb) |
| Cartridge installation torque | 32.5 to 35.3 N-m (24 to 26 ft-lb) |
| Orientation restriction | None |

Accessories

| | | |
|----------|----------------------------|----------------------------|
| Seal kit | SK10-4X-BMM SK10-4U-OOO | - Note: X = n, v, P |
|----------|----------------------------|----------------------------|

Order Code



Model Options

PS10-40F-H-J-R/S

F Adjustment Option

| CODE | DESCRIPTION |
|------|---|
| A | 1/4" Hex Allen Head |
| B | 1-1/2" Diameter Aluminum Knob with Aluminum Lock Knob |
| C | 1/4" Hex Allen Head with Cover Cap |
| F | Factory Preset Non-Adjustable |
| H | Factory Preset Hidden Adjustment |
| L | 1/4" Hex Allen Head with Cover Cap and Lockwire Holes |

H Line Body

| CODE | DESCRIPTION |
|------|--------------------|
| 0 | No Body |
| 6T | Aluminum SAE 6 |
| 8T | Aluminum SAE 8 |
| 6TD | Ductile Iron SAE 6 |

J Seal

| CODE | DESCRIPTION |
|------|---------------|
| N | Buna-N |
| V | Fluorocarbon |
| P | Polyurethane |
| U | PPDI Urethane |

R Spring

| CODE | DESCRIPTION |
|------|--|
| 04 | 2.8 to 27.6 bar (40 to 400 psi) Spring Range |
| 08 | to 55.2 bar (to 800 psi) Spring Range |
| 22 | 15.2 to 151.7 bar (220 to 2200 psi) Spring Range |

S Setting

| CODE | DESCRIPTION |
|------|----------------------------------|
| MXXX | Spring Setting in XXX bar |
| XX | Spring Setting in XX psi (x 100) |